



**TECHNIC**<sup>TM</sup>

42149





 **FR**  
**DONNEZ**  
OU  
**RECYCLEZ**

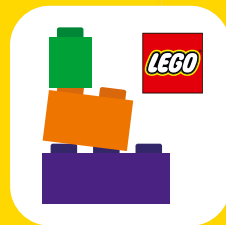
 OU  OU 

ASSOCIATION    MAGASIN    DÉCHÈTERIE

Adresses sur [quefairedemesdechets.fr](http://quefairedemesdechets.fr)



[LEGO.com/sustainable-packaging](https://LEGO.com/sustainable-packaging)



# BUILDER

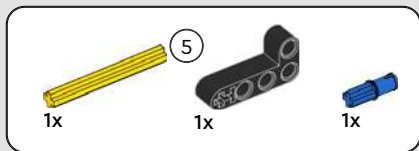


Apple and the Apple logo are trademarks of Apple Inc., registered in the U.S. and other countries and regions. App Store is a service mark of Apple Inc. Google Play and the Google Play logo are trademarks of Google LLC. Tencent and the Tencent logo are trademarks of Tencent Inc.

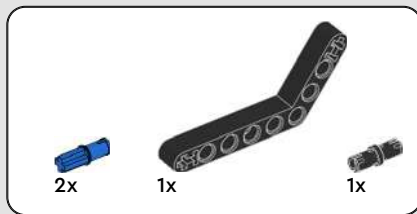
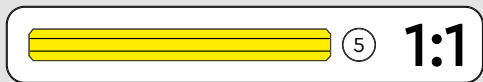
Q [LEGO.com/devicecheck](https://www.lego.com/devicecheck)

**EN** Ask parents' permission before going online | **DE** Eltern um Erlaubnis bitten, bevor du online gehst | **FR** Demande l'autorisation d'un parent avant d'aller en ligne | **IT** Chiedi il permesso ai tuoi genitori prima di andare online | **ES** Pídeles permiso a tus papás antes de conectarte a Internet | **PT** Pede autorização aos pais antes de acederes online | **JA** オンラインになる前に ほかの方のきょかをもらおう | **ZH** 上网前应先征得父母的同意 | **KO** 온라인 접속 전에 보호자 동의가 필요합니다 | **RU** Спроси разрешения у родителей, прежде чем заходить в интернет | **PL** Poproś rodziców o zgodę, zanim wejdziesz do Internetu | **CS** Než půjdeš na internet, požádej rodiče o svolení | **SK** Skôr než pôjdeš na internet, vypýtaj si povolenie od rodičov | **HU** Kérj szülői engedélyt, mielőtt online csatlakoznál! | **RO** Cere permisiunea părinților înainte de a te conecta online | **BG** Поискайте разрешение от родител, преди да влезете онлайн | **LV** Pirms došanās tiešsaistē palūdz atļauju vecākiem | **ET** Enne Interneti kasutamist küsi vanematelt luba | **LT** Prieš prisijungdami prie interneto, atsklauskite tėvų

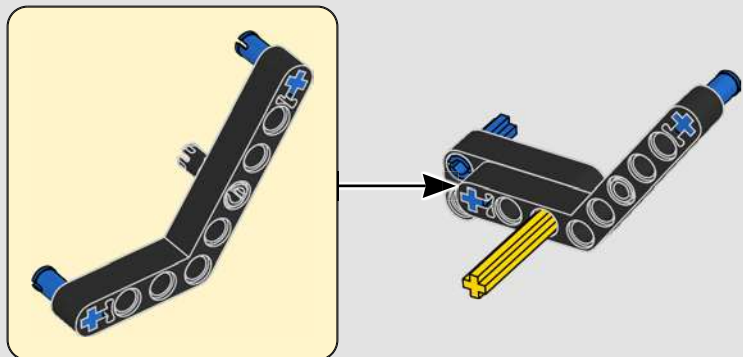




1



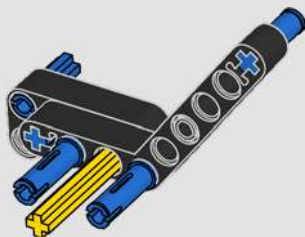
2





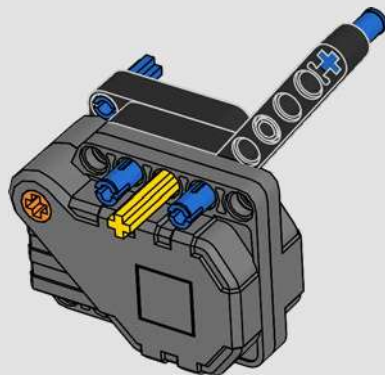
2x

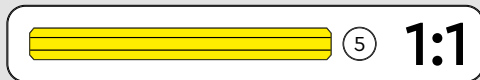
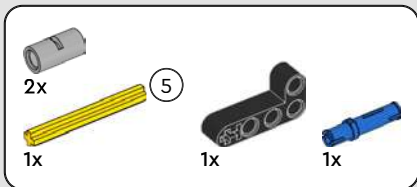
3



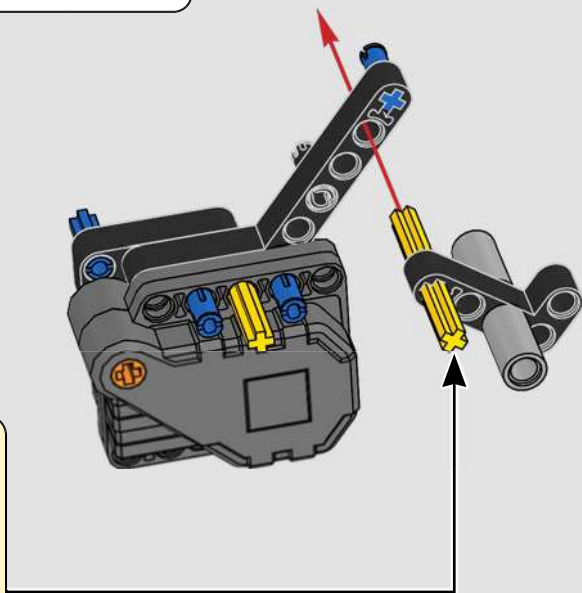
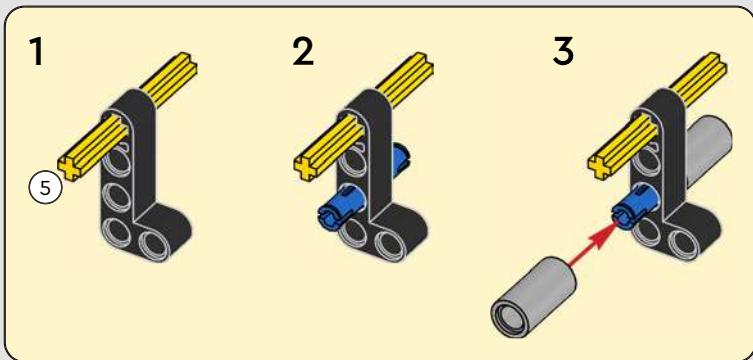
1x

4

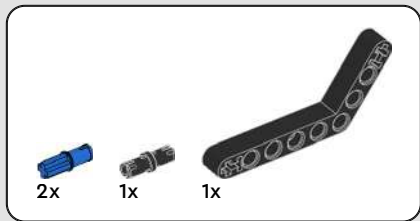




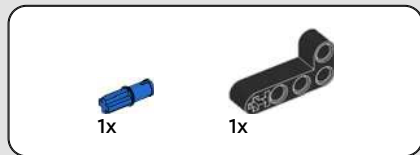
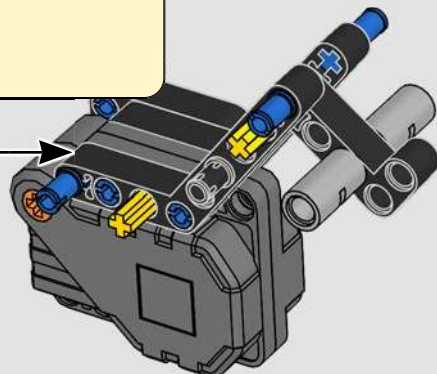
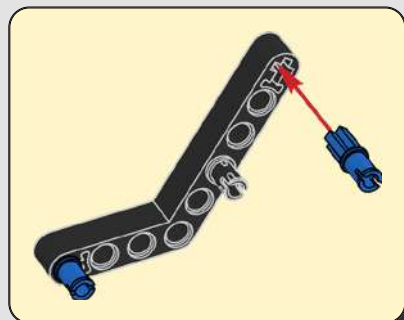
5



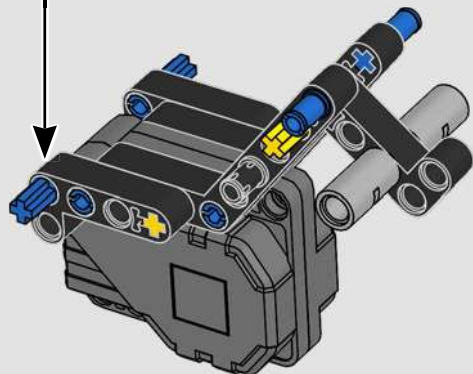




6



7

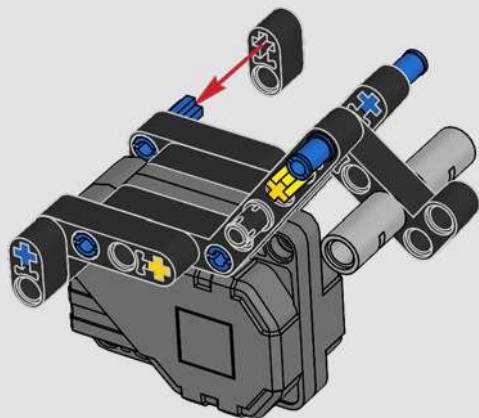






2x

8



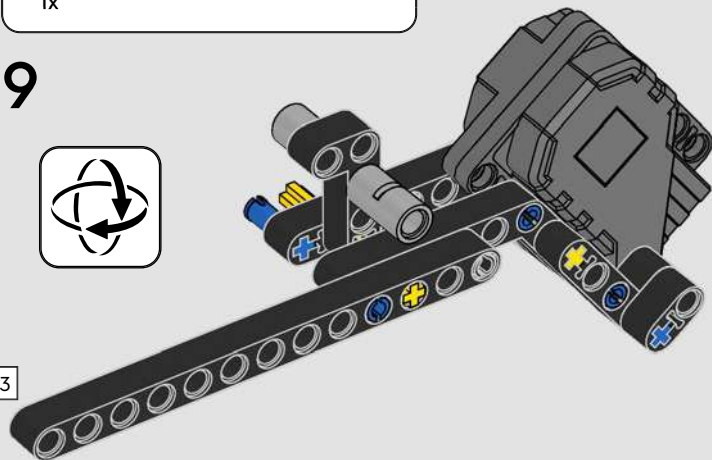
1x

13

9

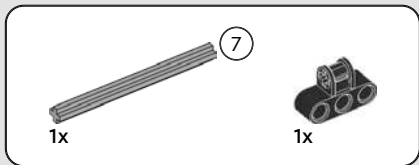


13

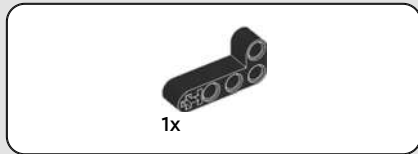
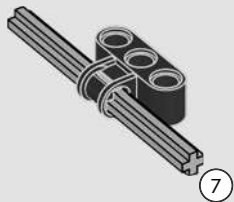


13

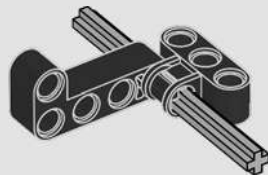
1:1

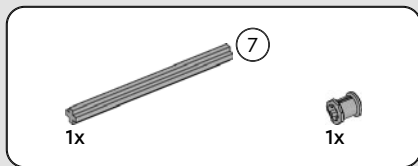


10

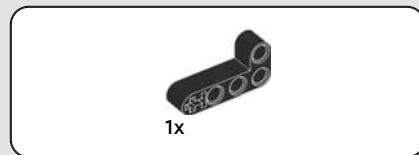
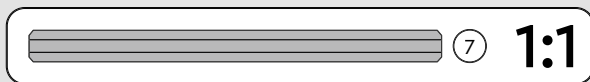
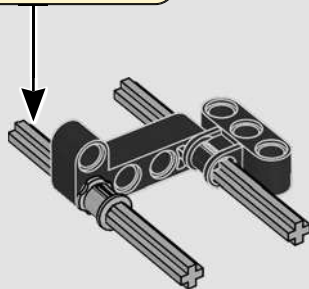
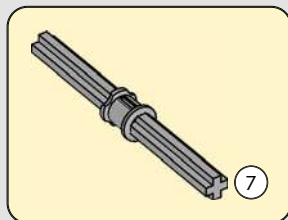


11

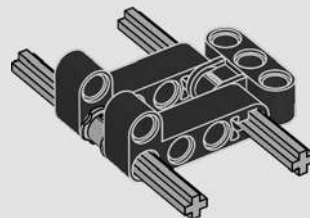




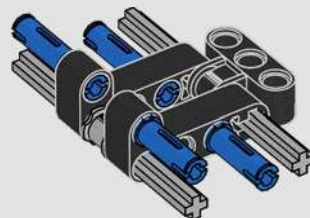
12



13



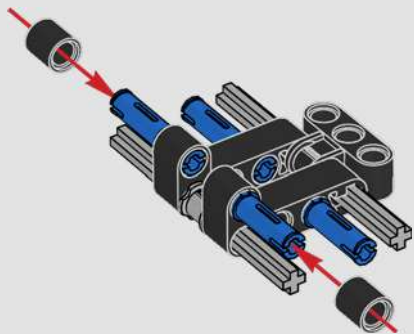
14



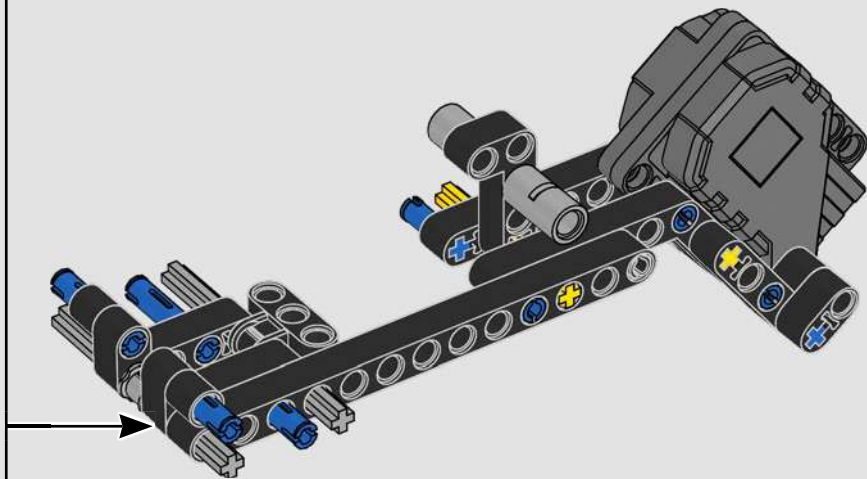


2x

15

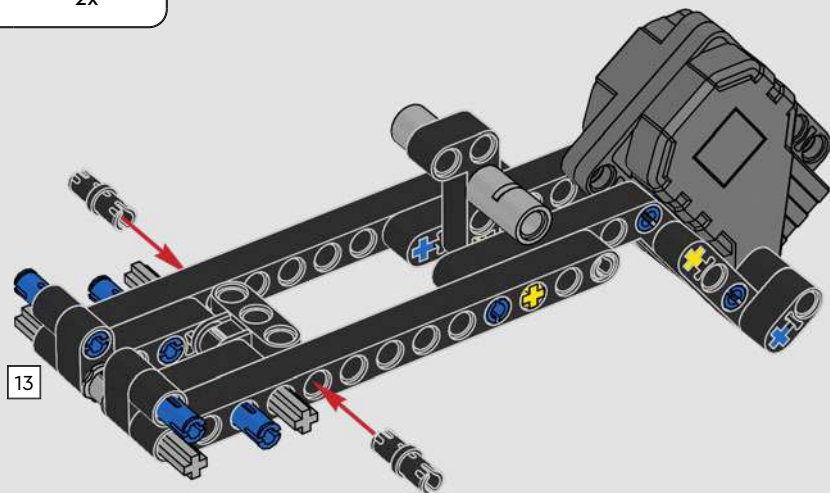


16





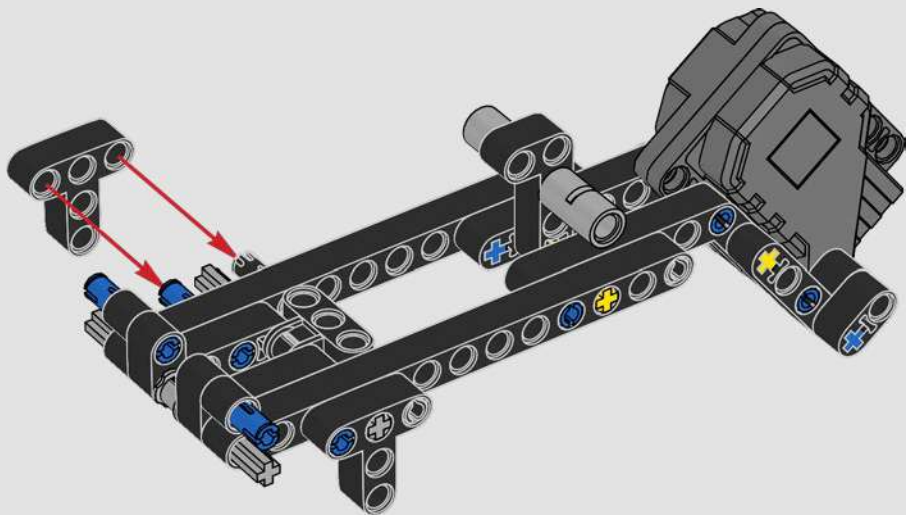
17

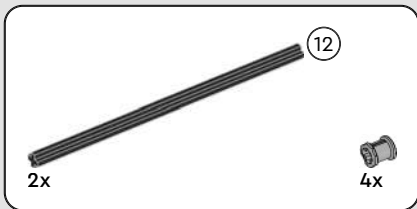




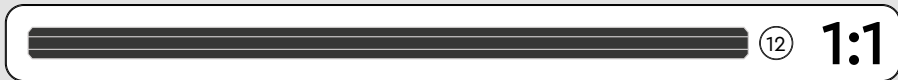
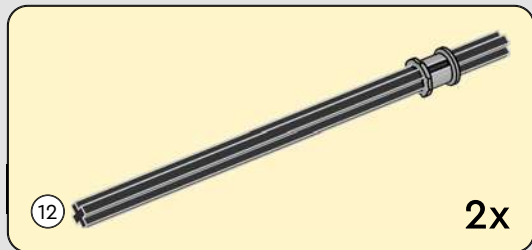
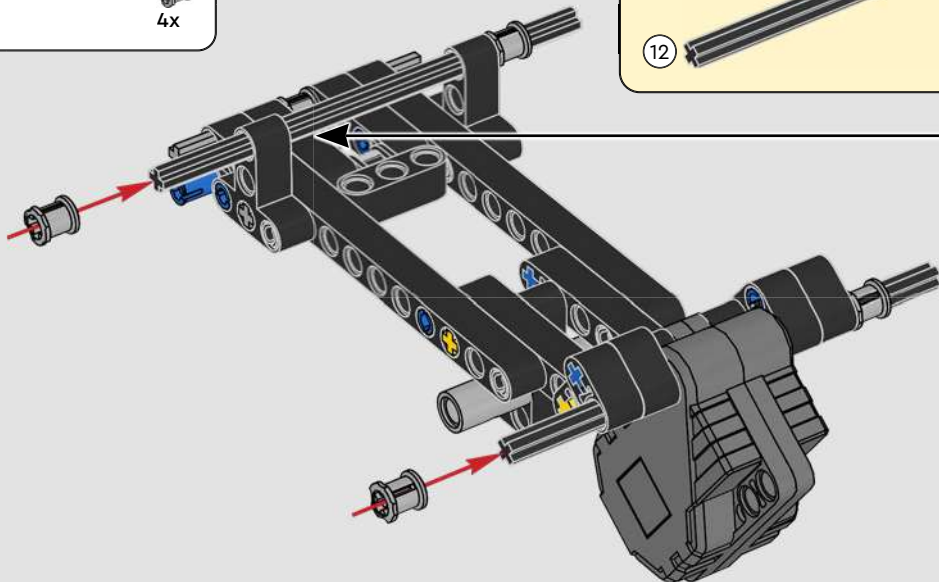
2x

18

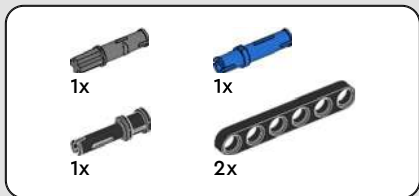




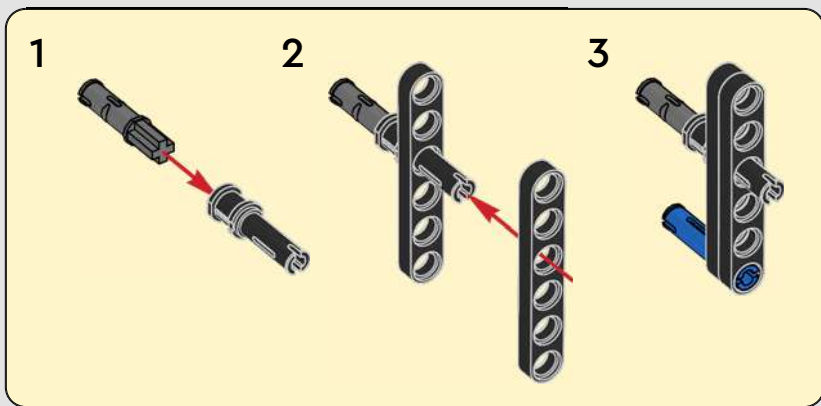
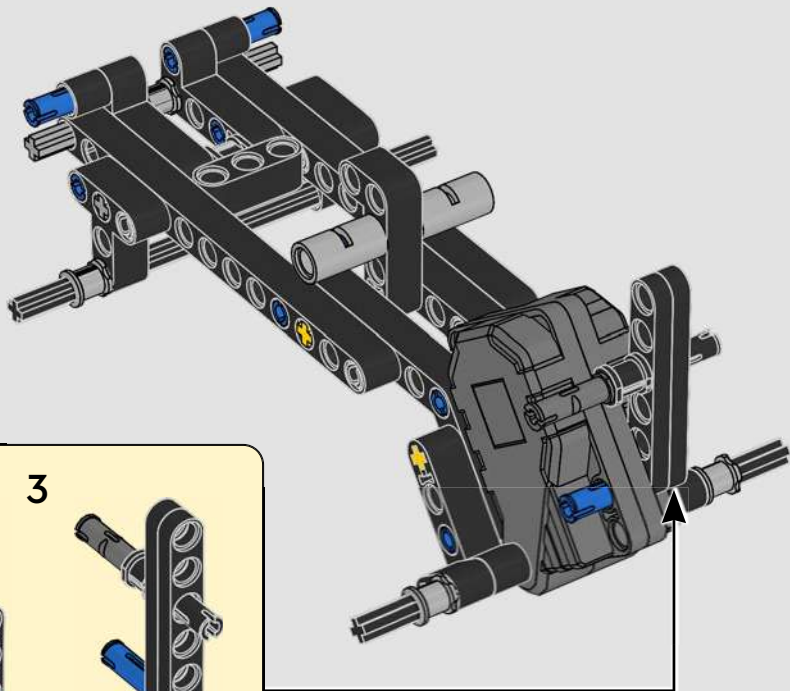
19





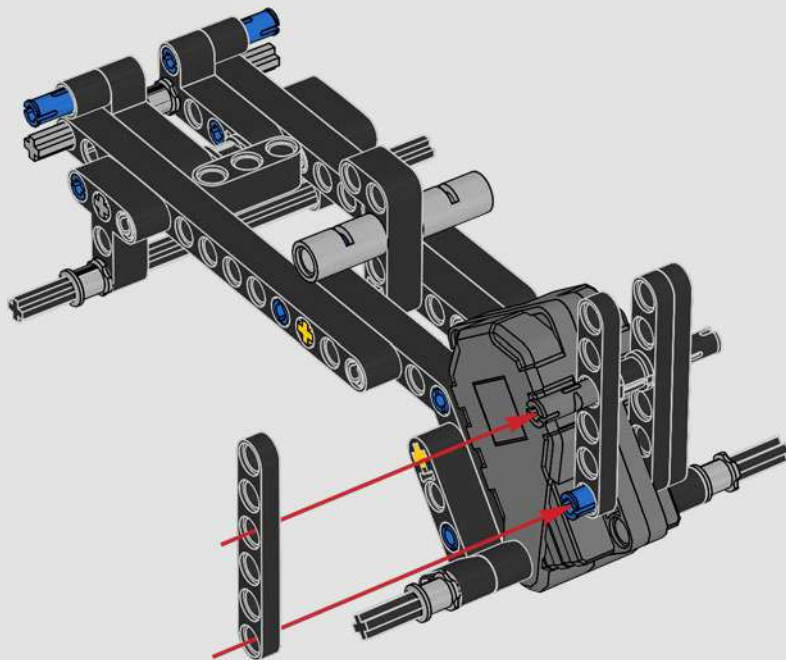


20





21





2x

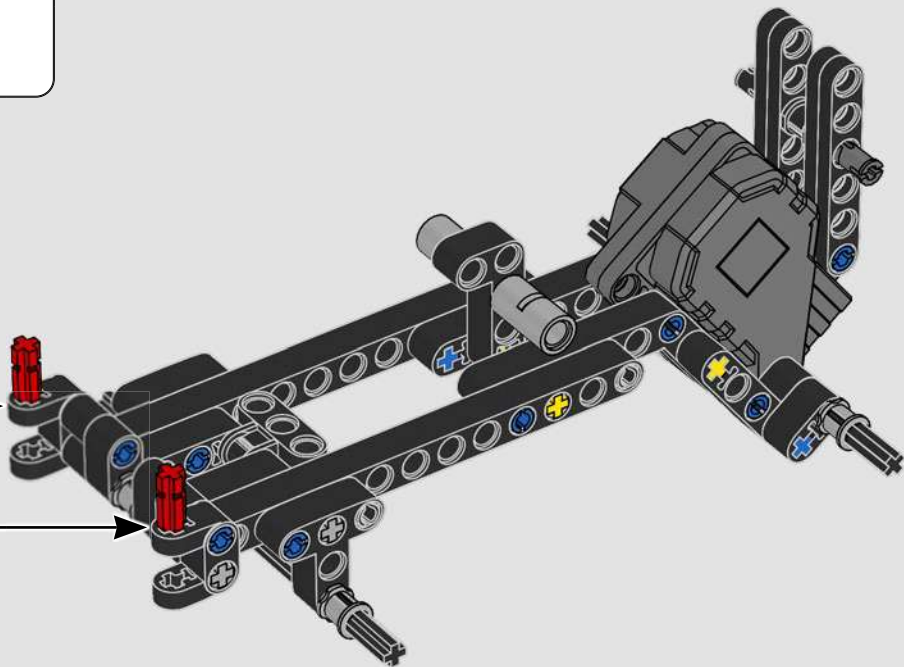


2x

22

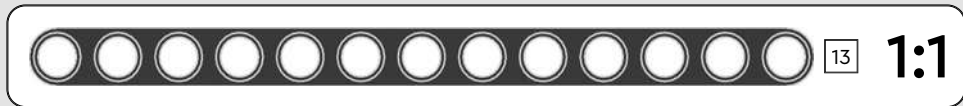
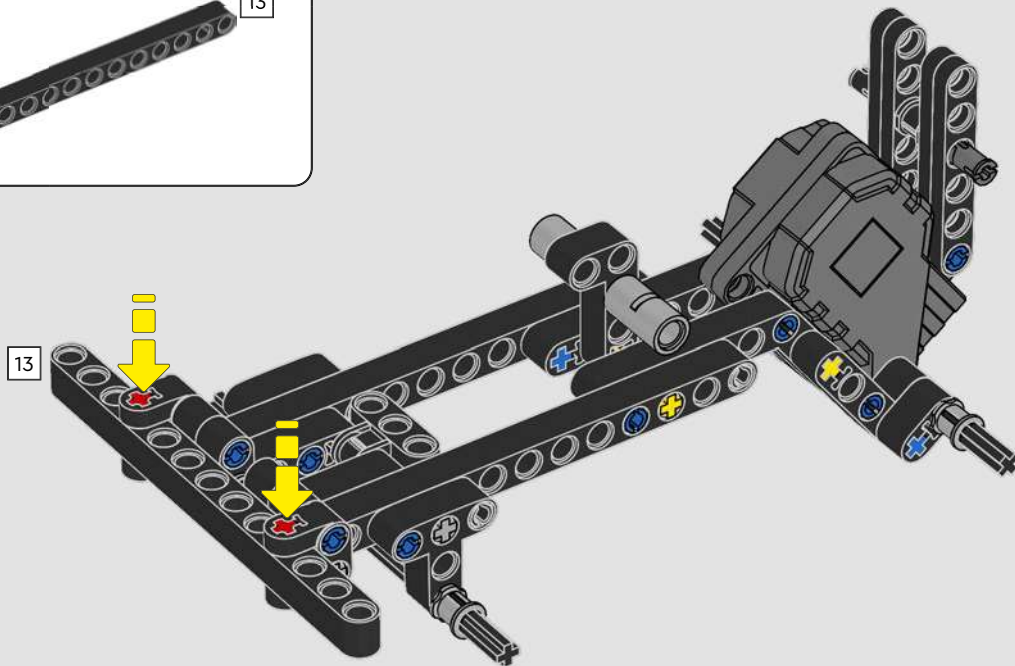


2x

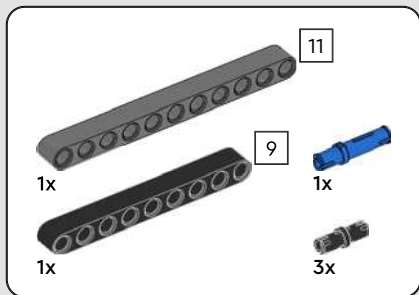




23

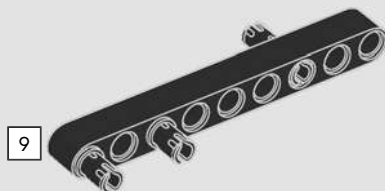




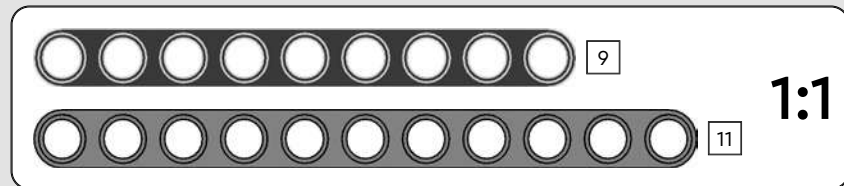
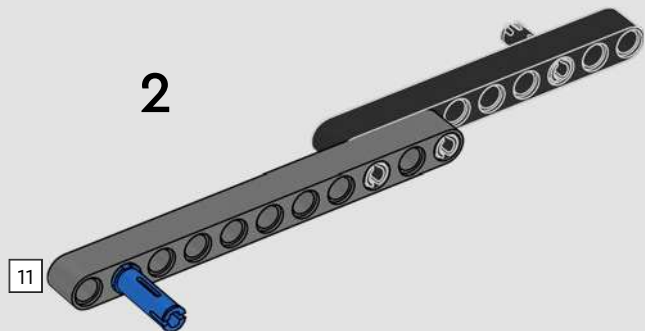


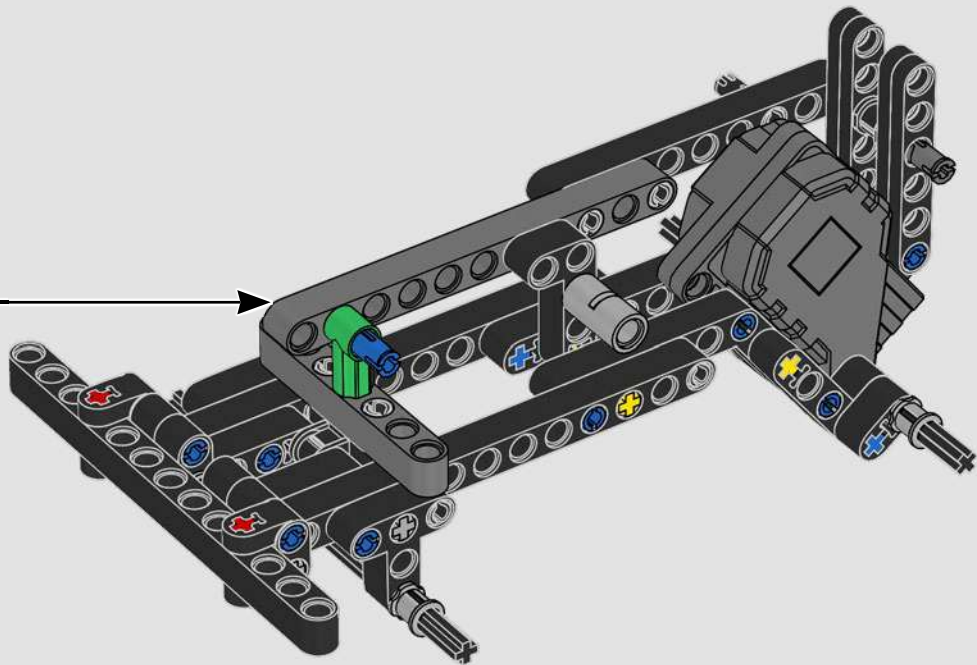
25

1



2



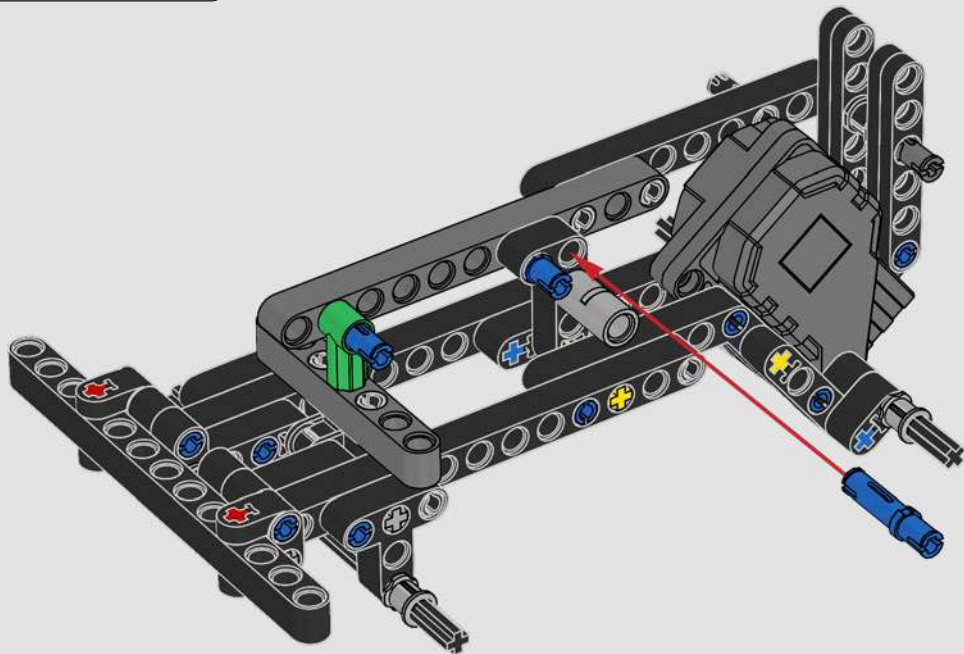


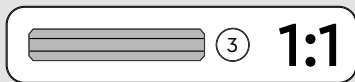
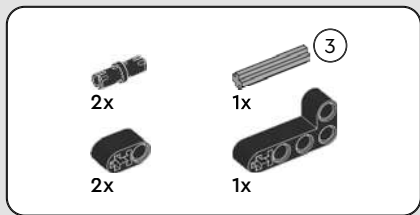




2x

26





27

1



2

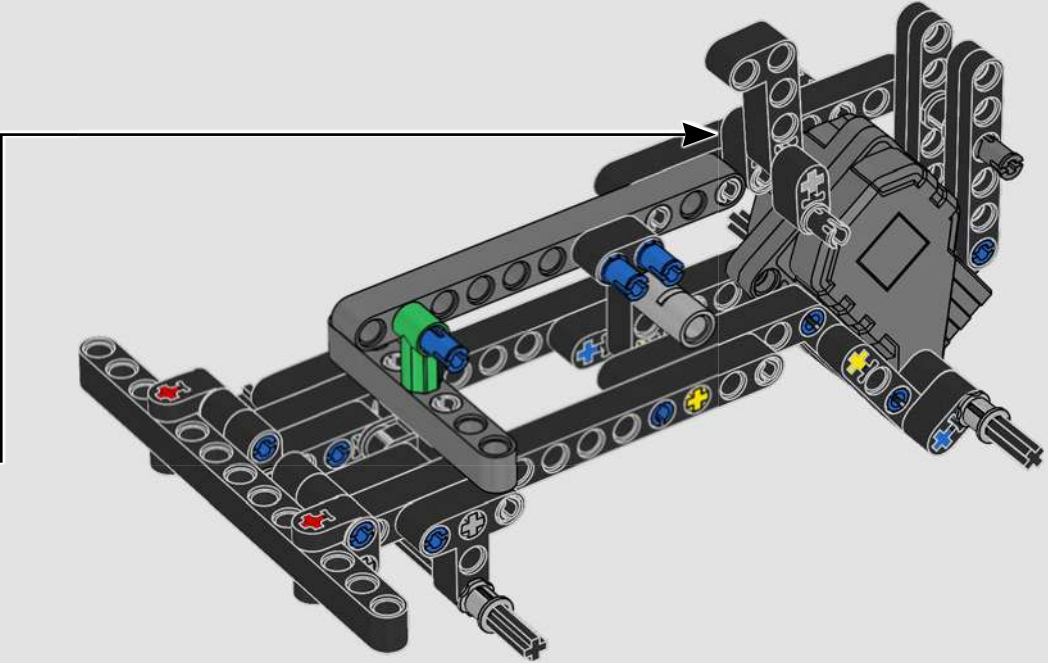


3



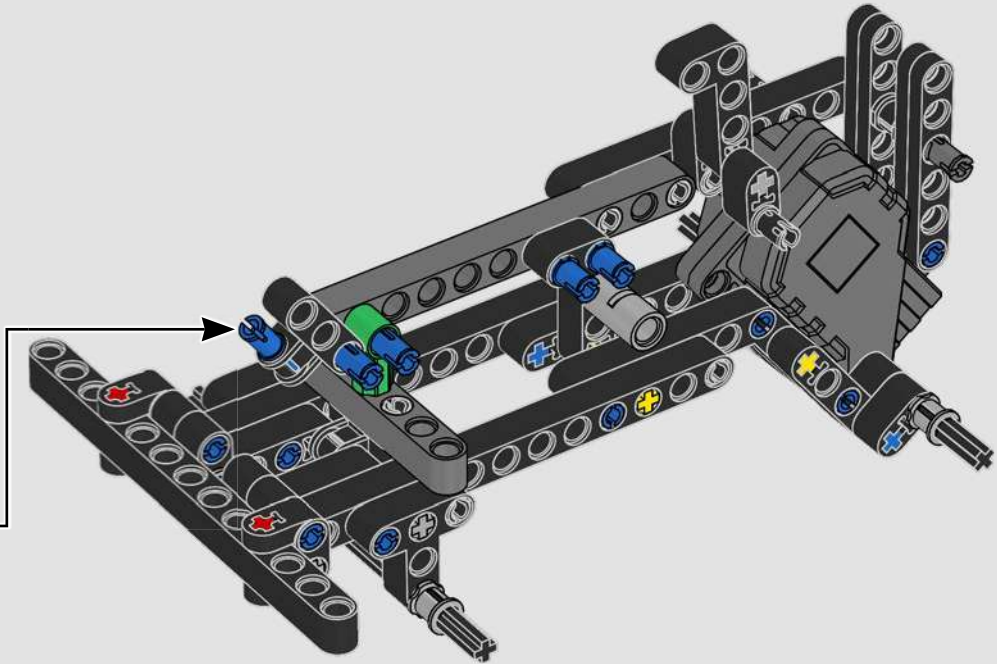
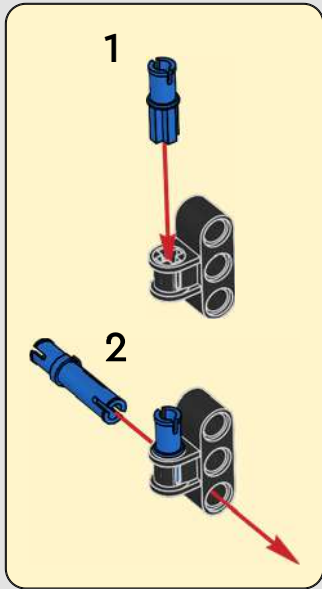
4

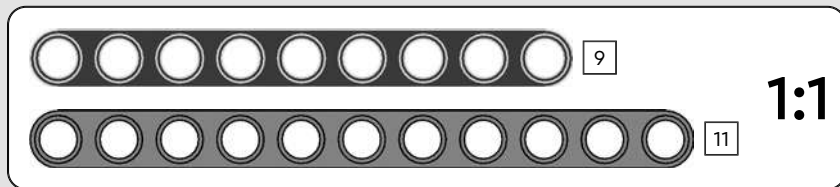
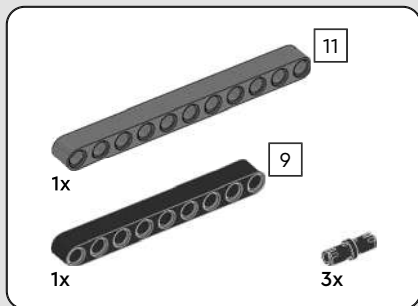




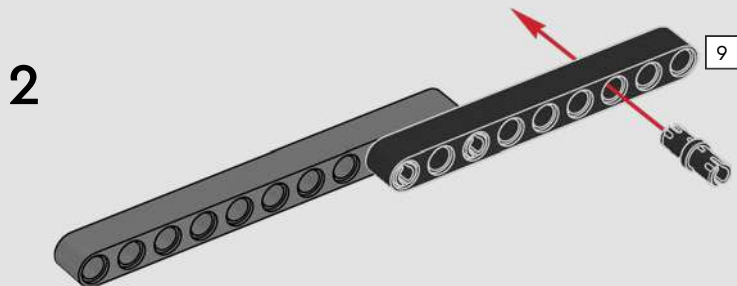
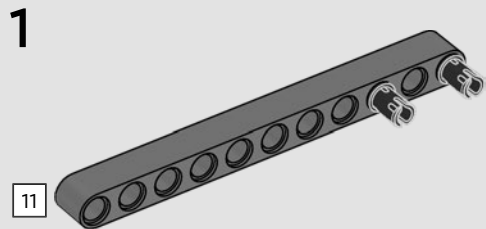


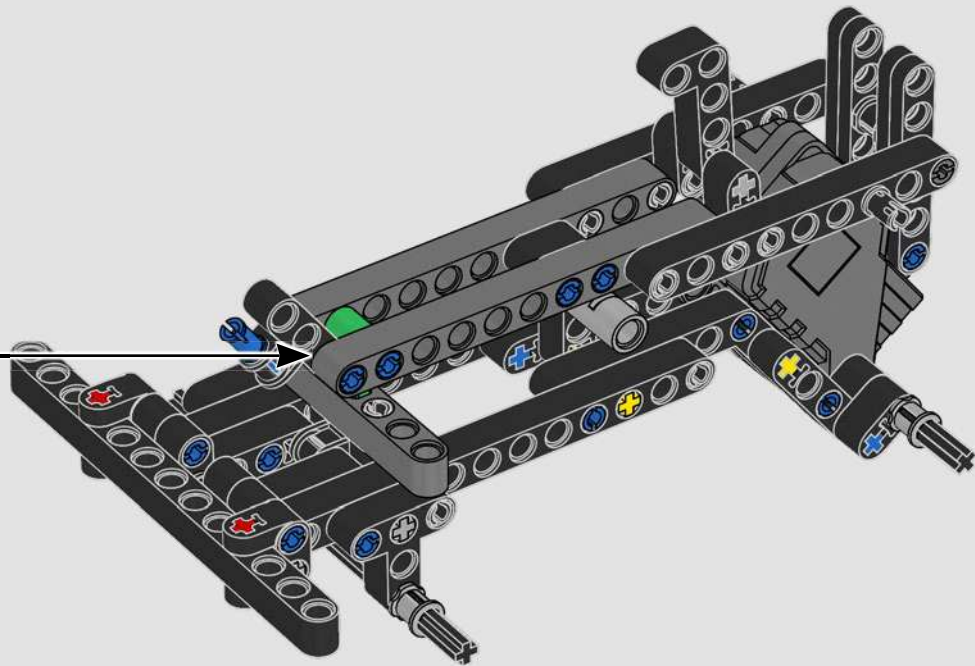
28

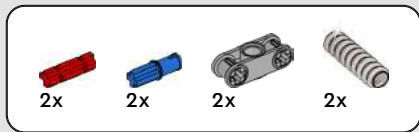




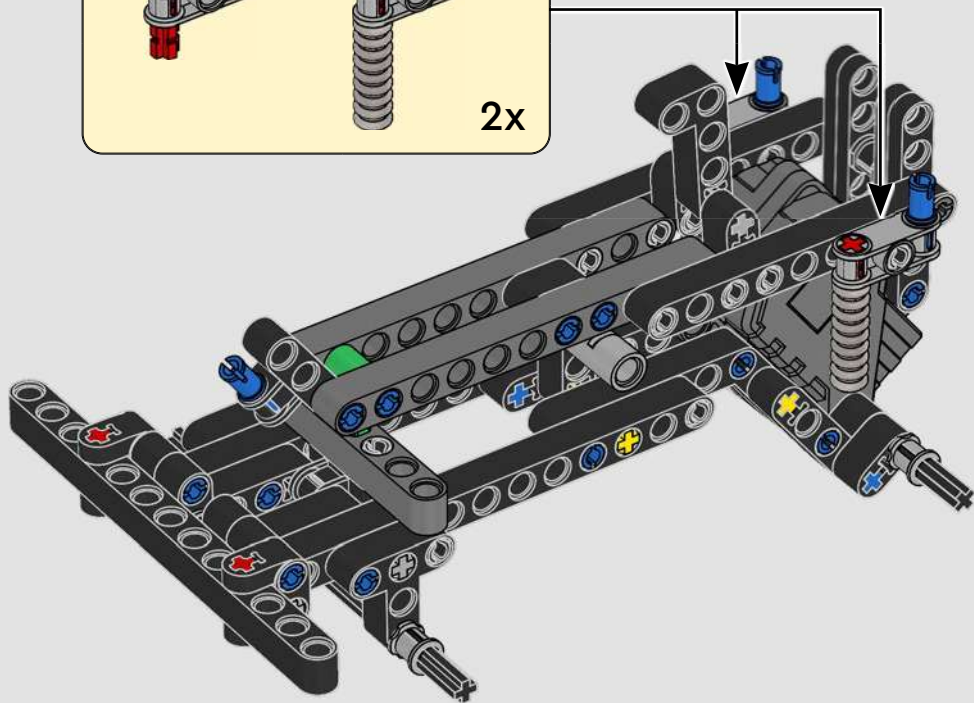
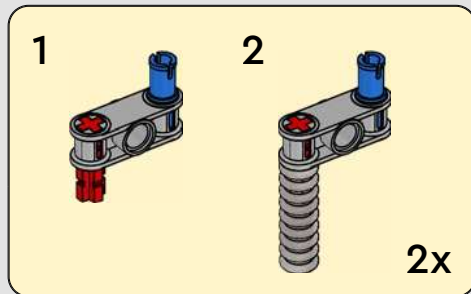
# 29



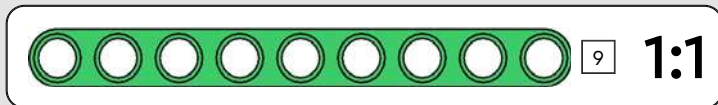
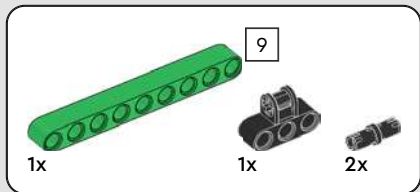




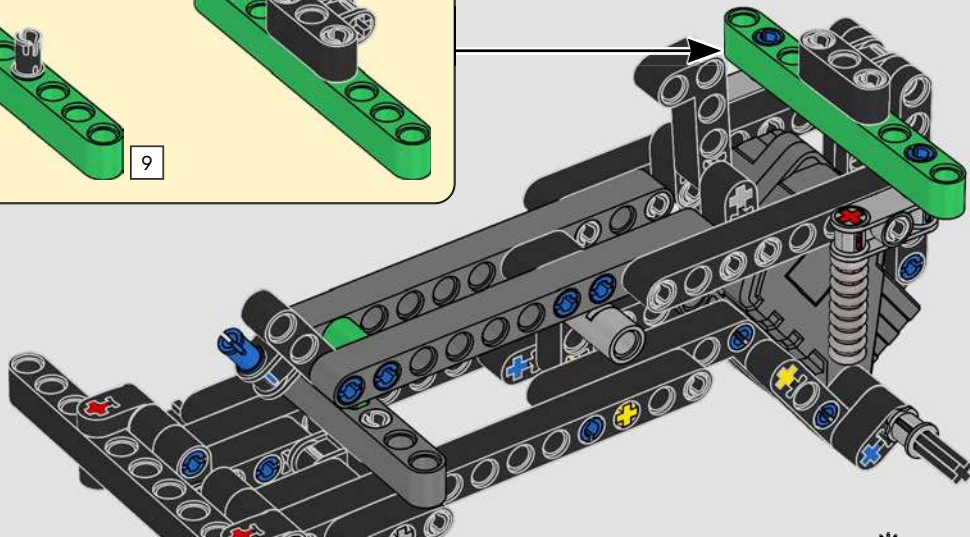
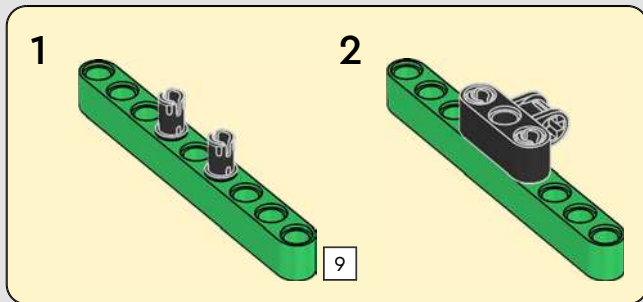
30

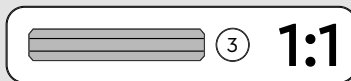
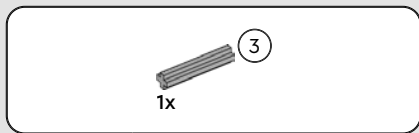




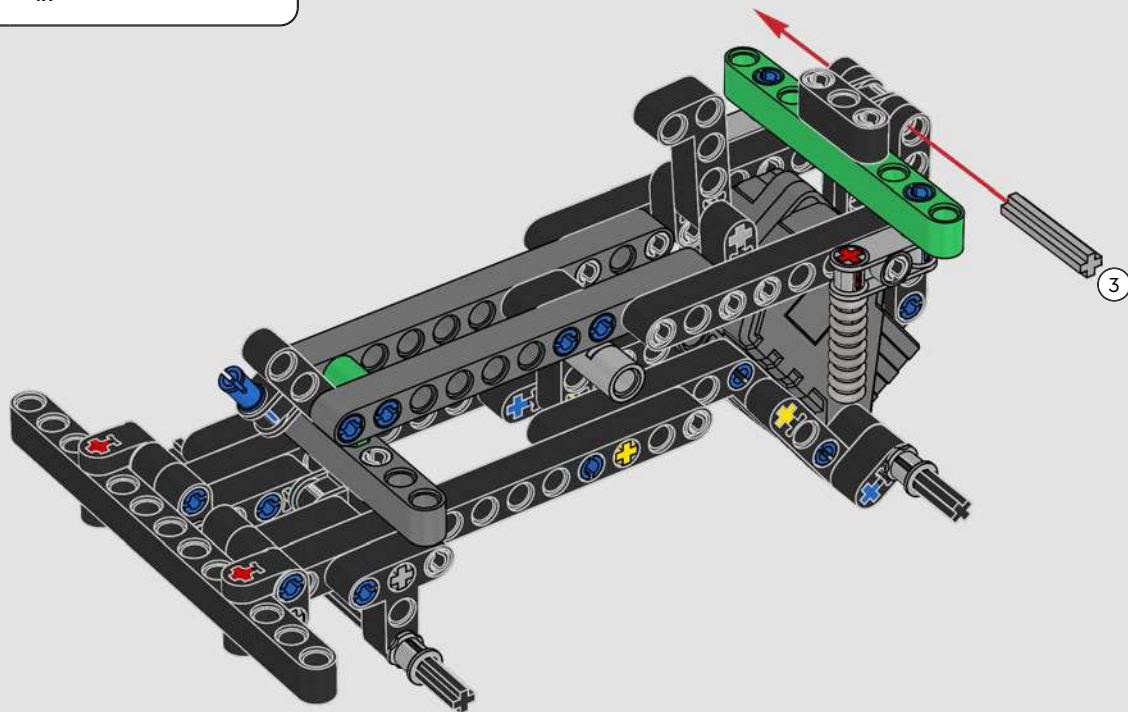


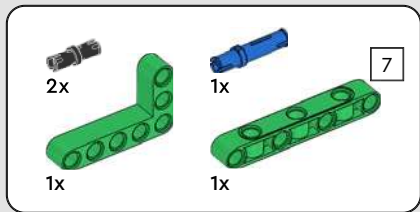
31



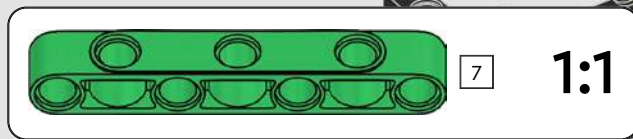
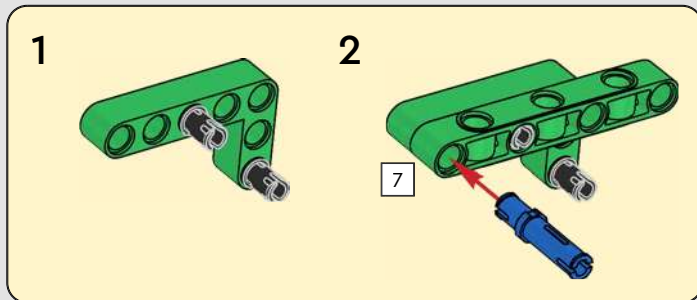


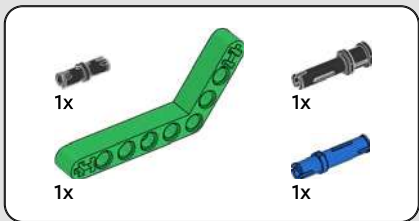
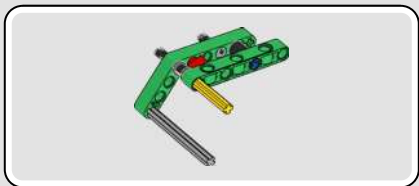
32



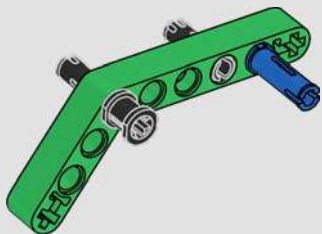


33

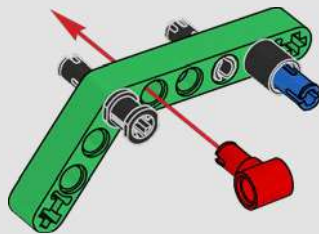


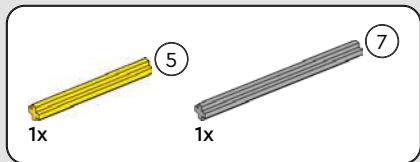


34

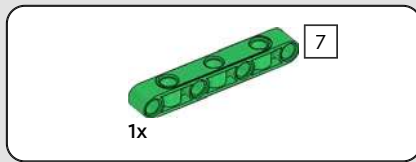
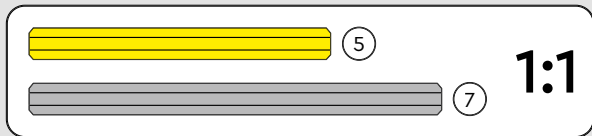
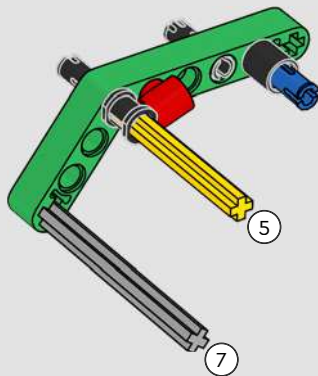


35

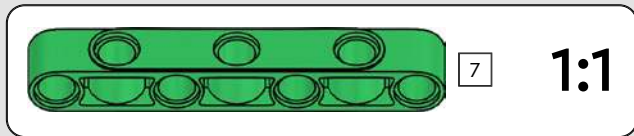
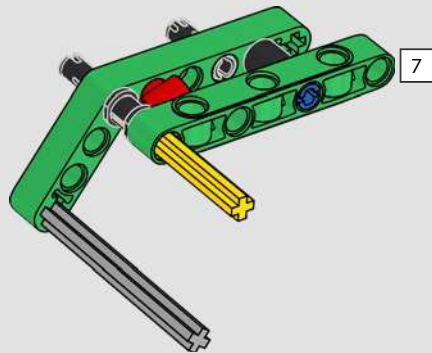




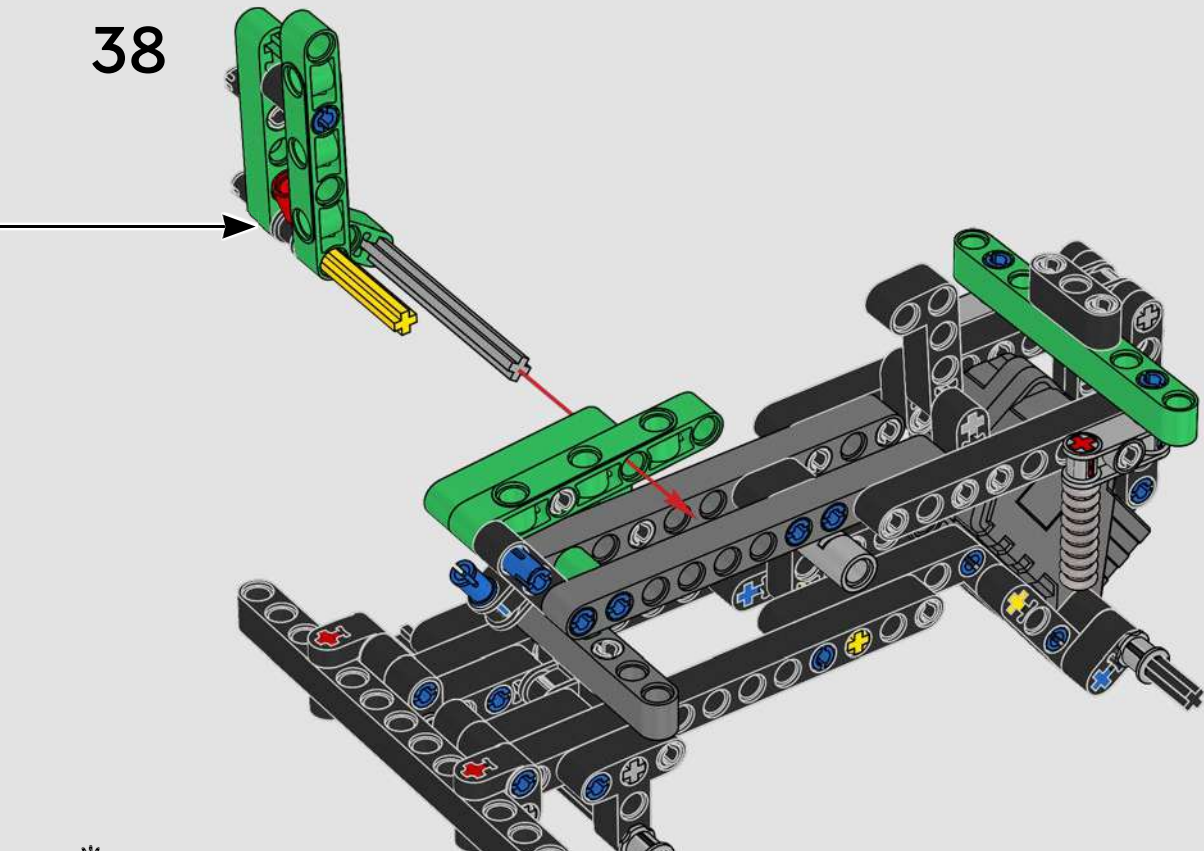
36



37



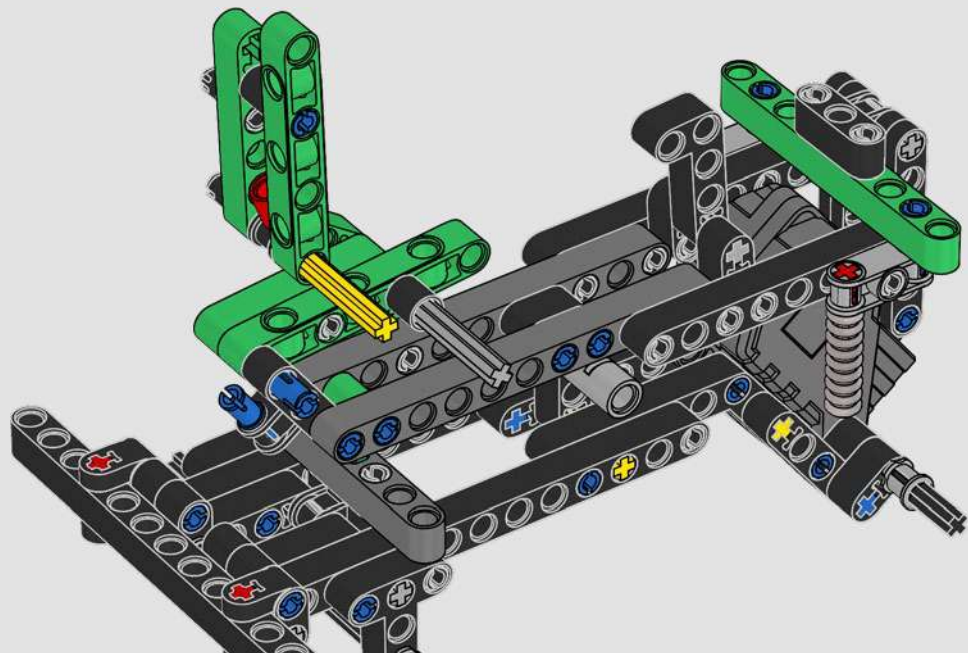
38



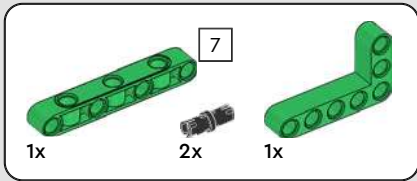


1x

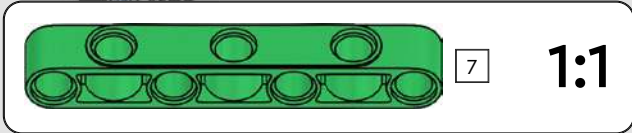
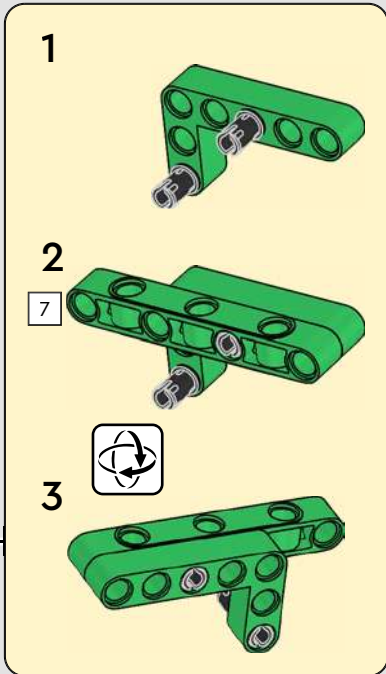
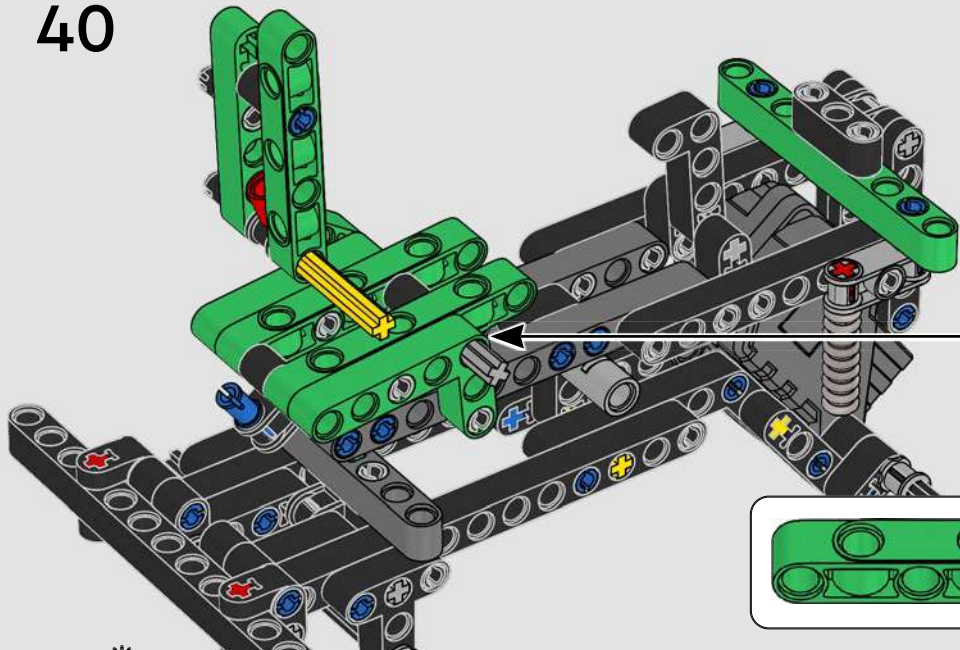
39



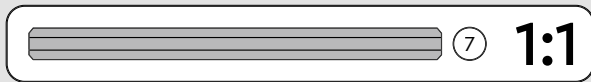
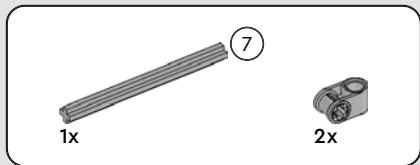




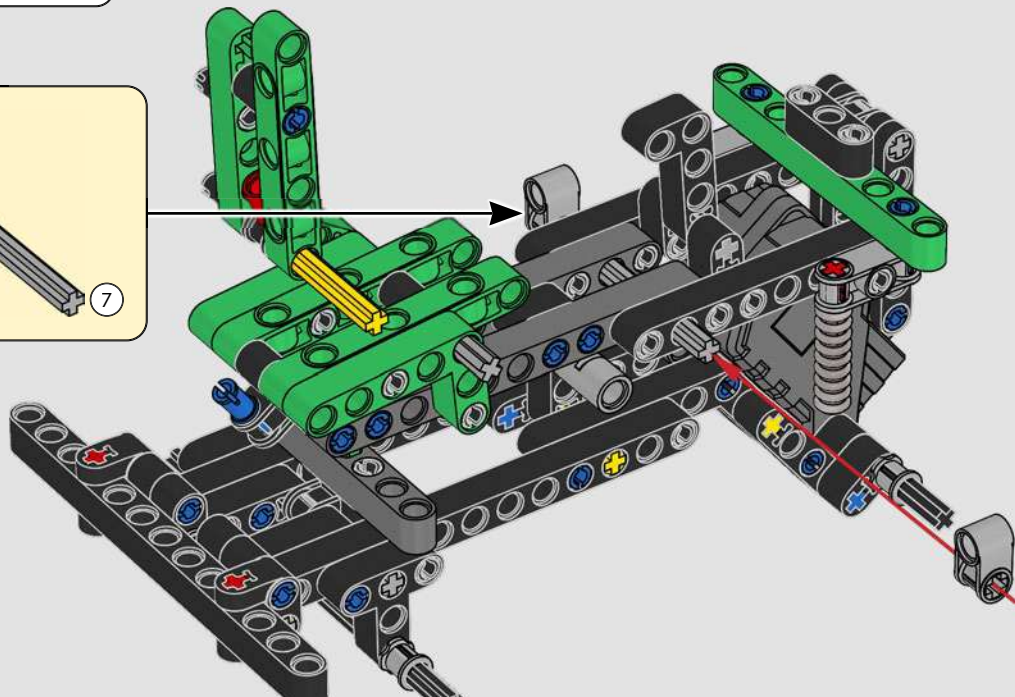
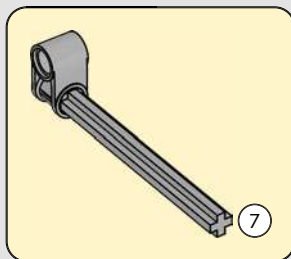
40

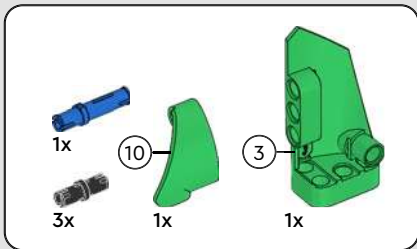




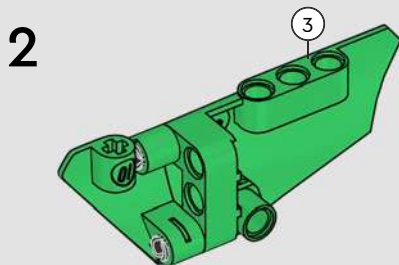


41

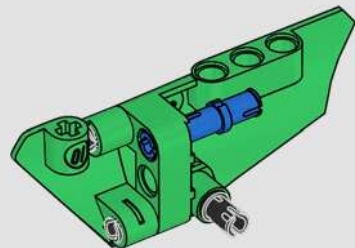




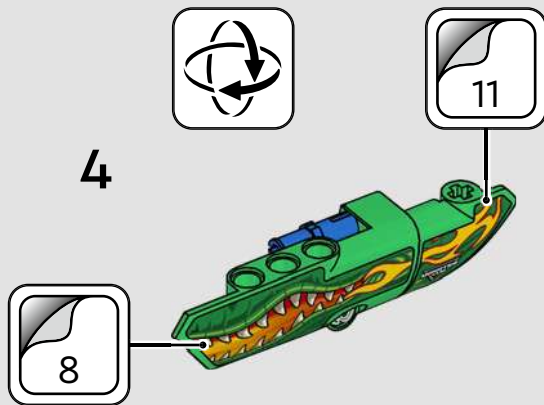
42

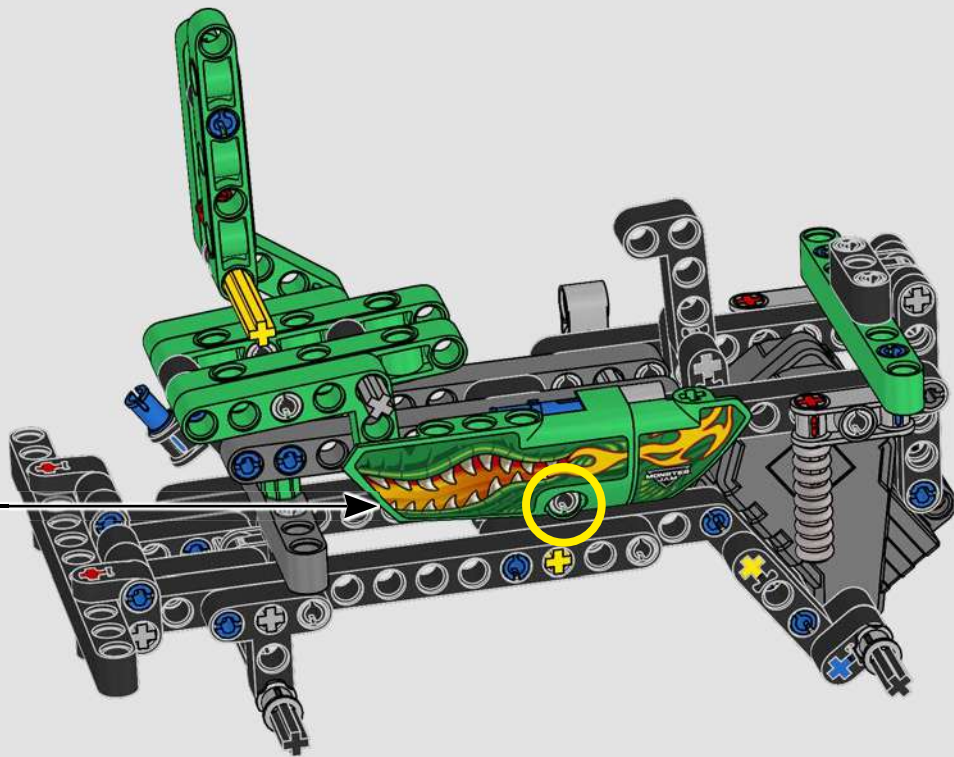


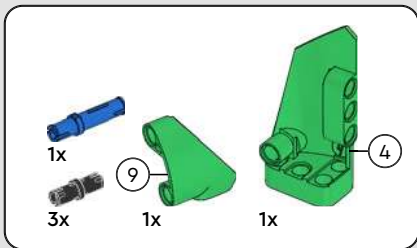
3



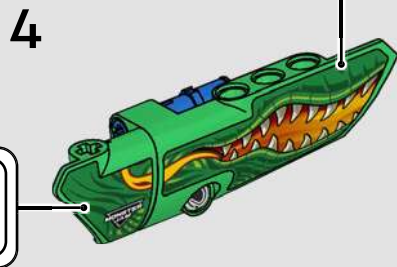
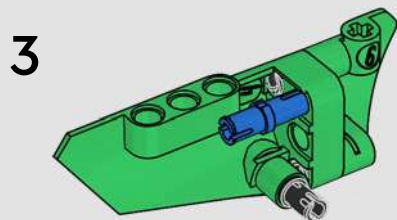
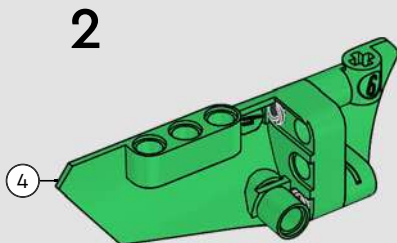
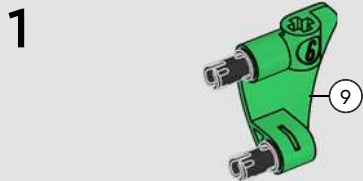
4

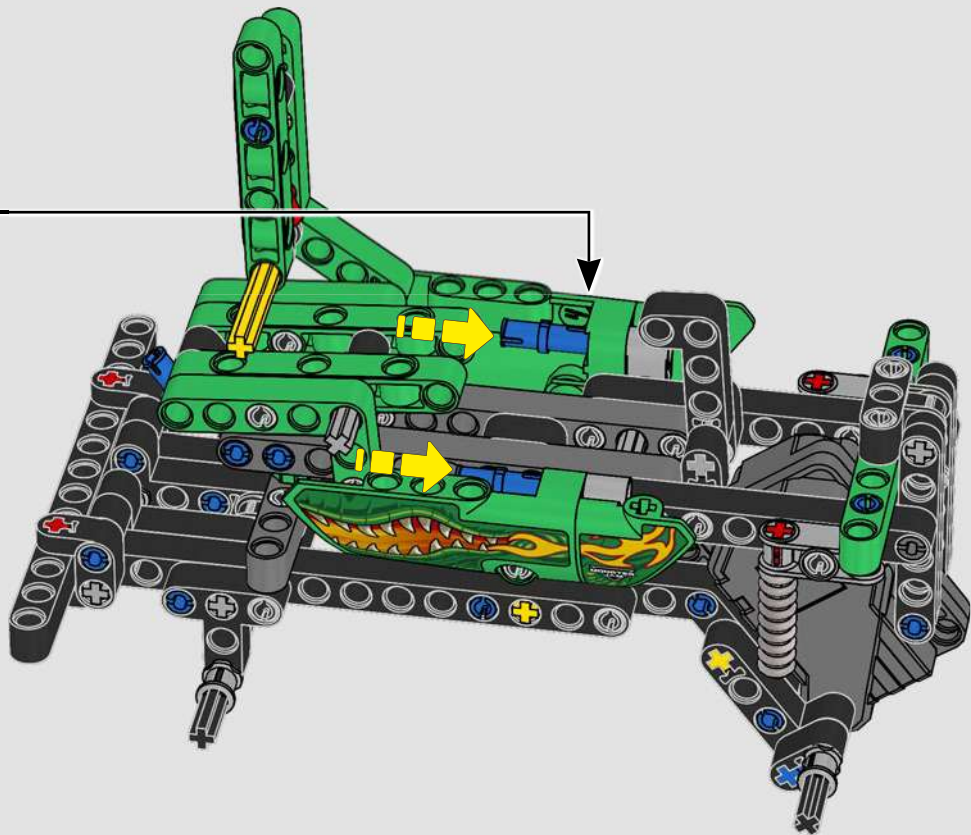


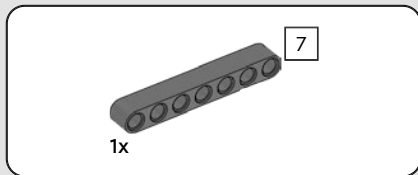




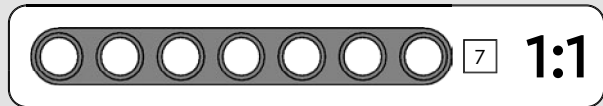
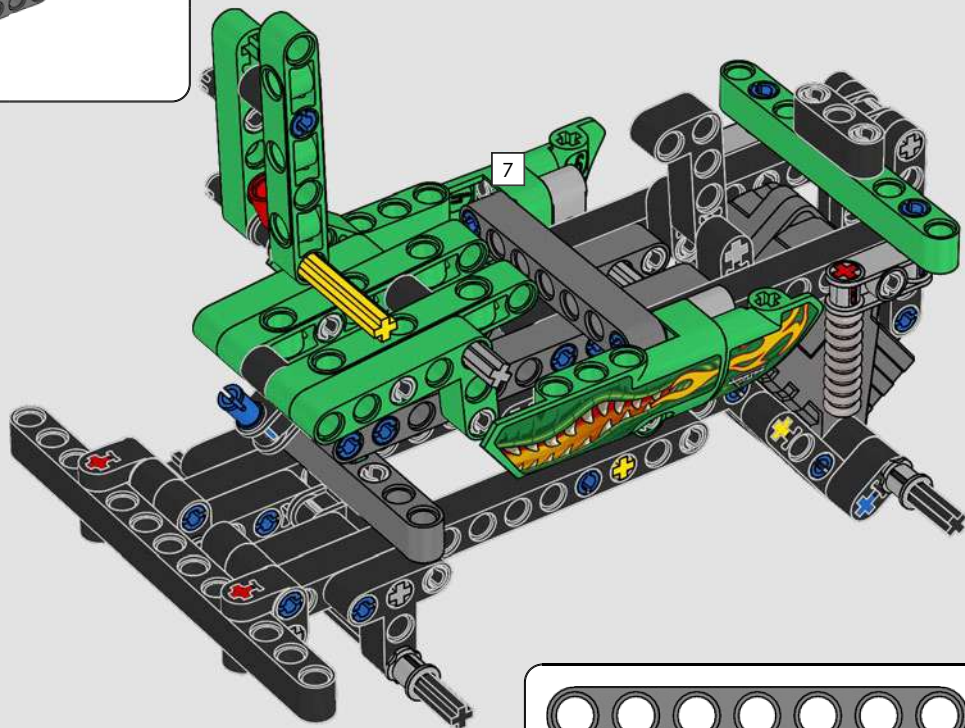
43







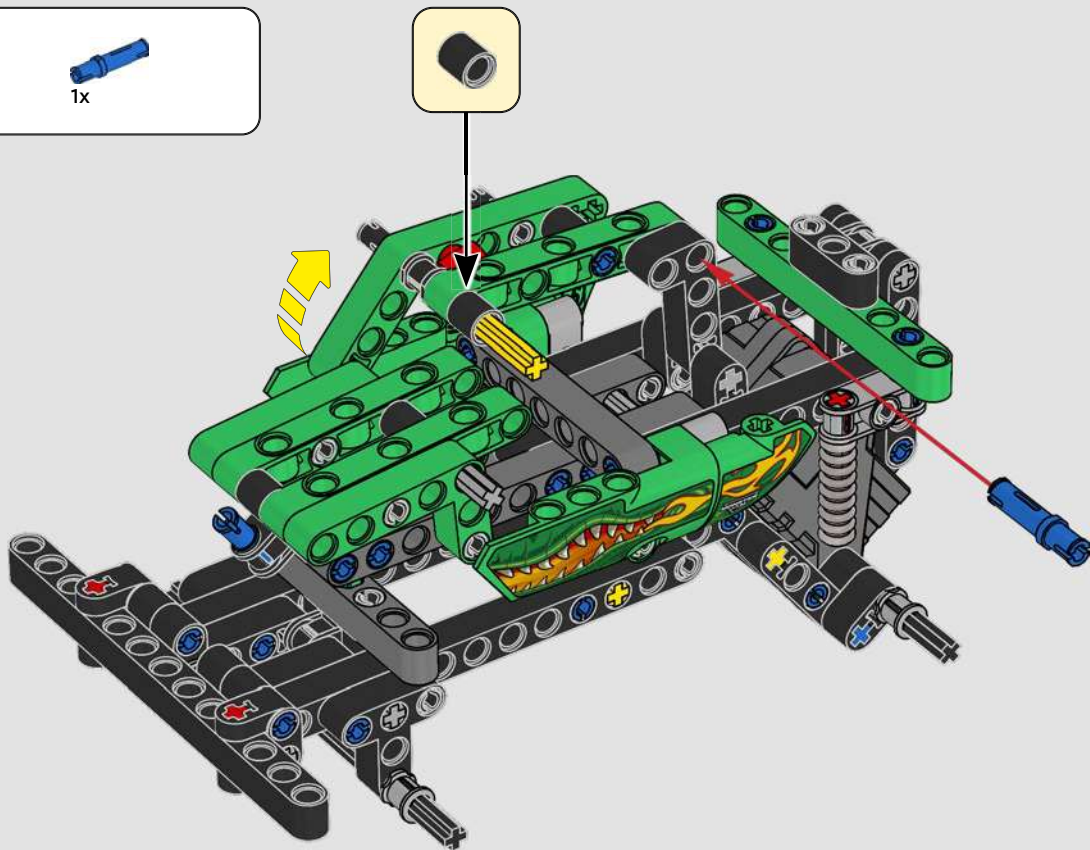
44

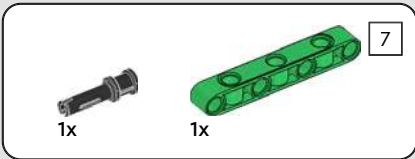




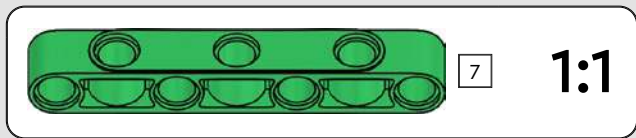
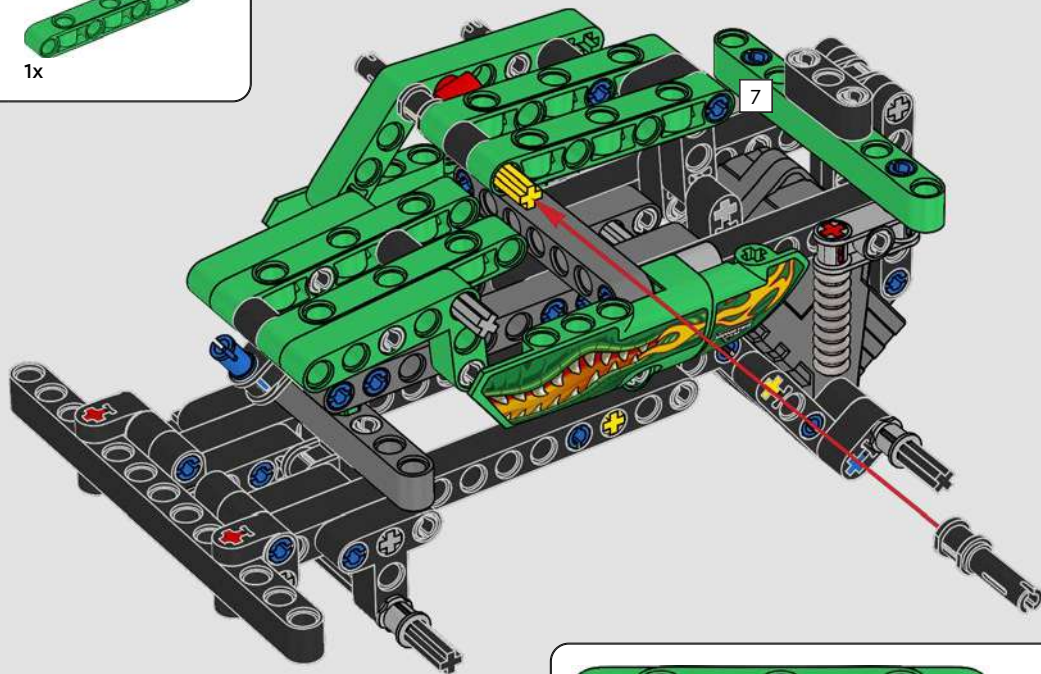


45

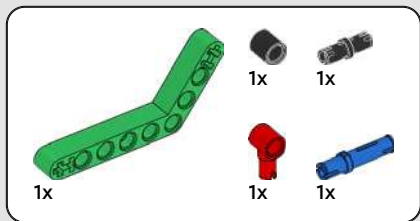




46

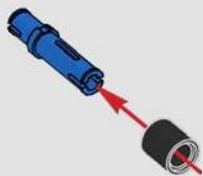




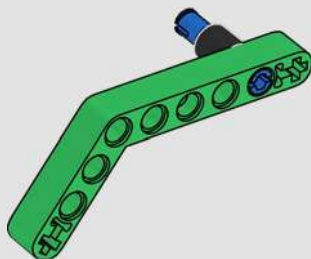


47

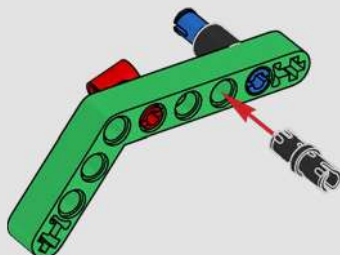
1

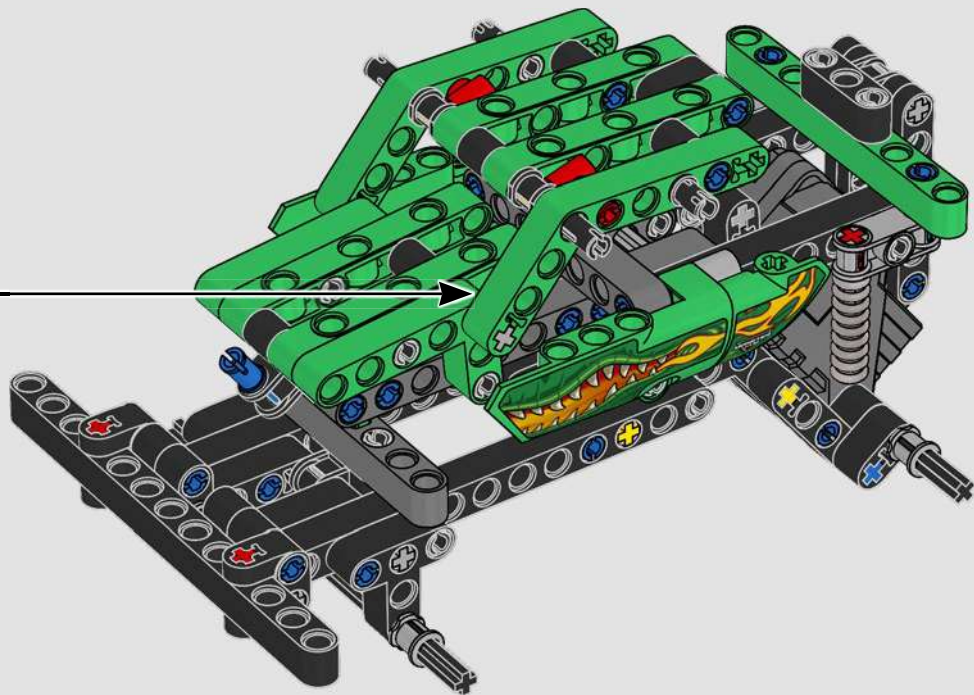


2



3





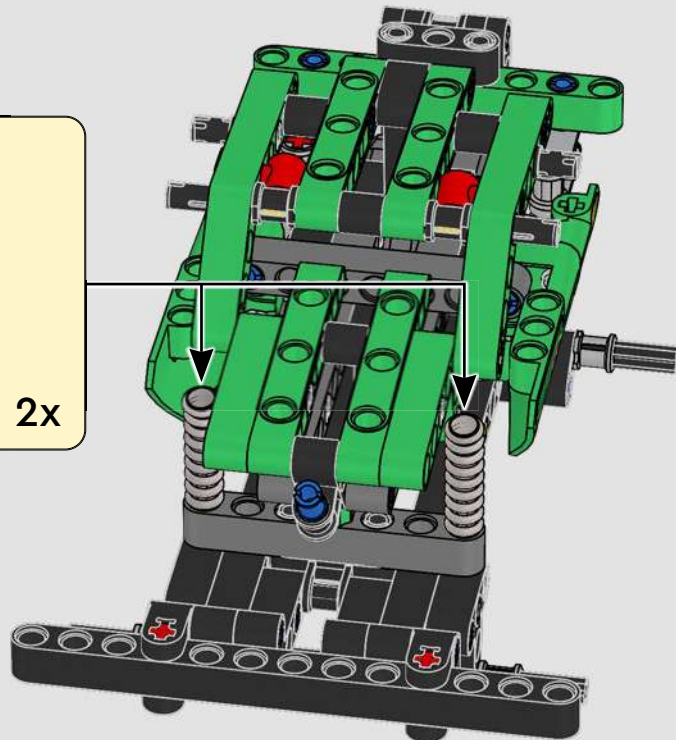
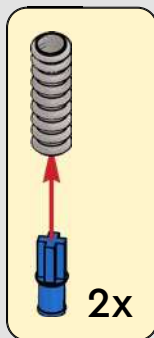


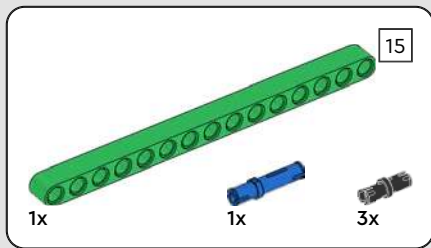
2x



2x

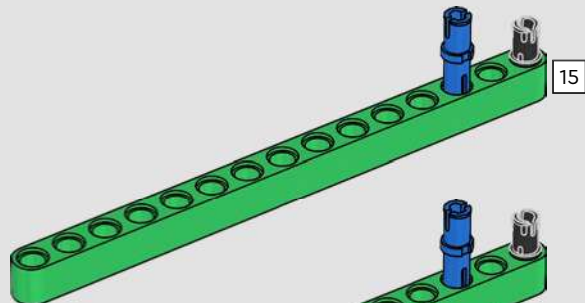
48



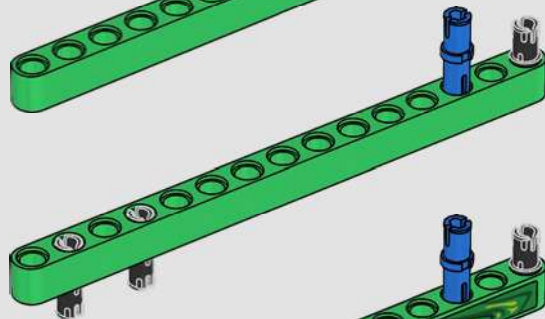


49

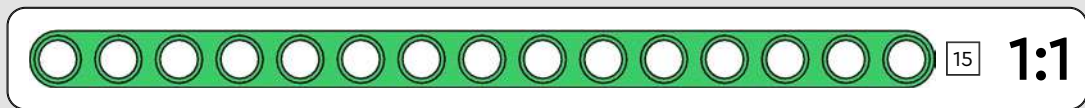
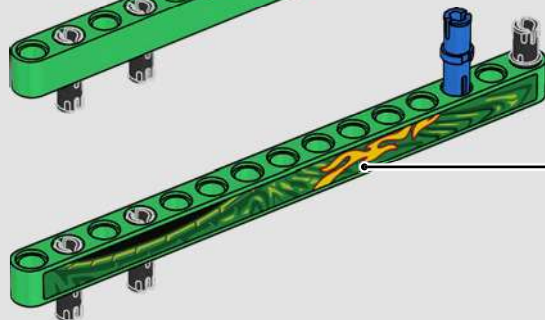
1

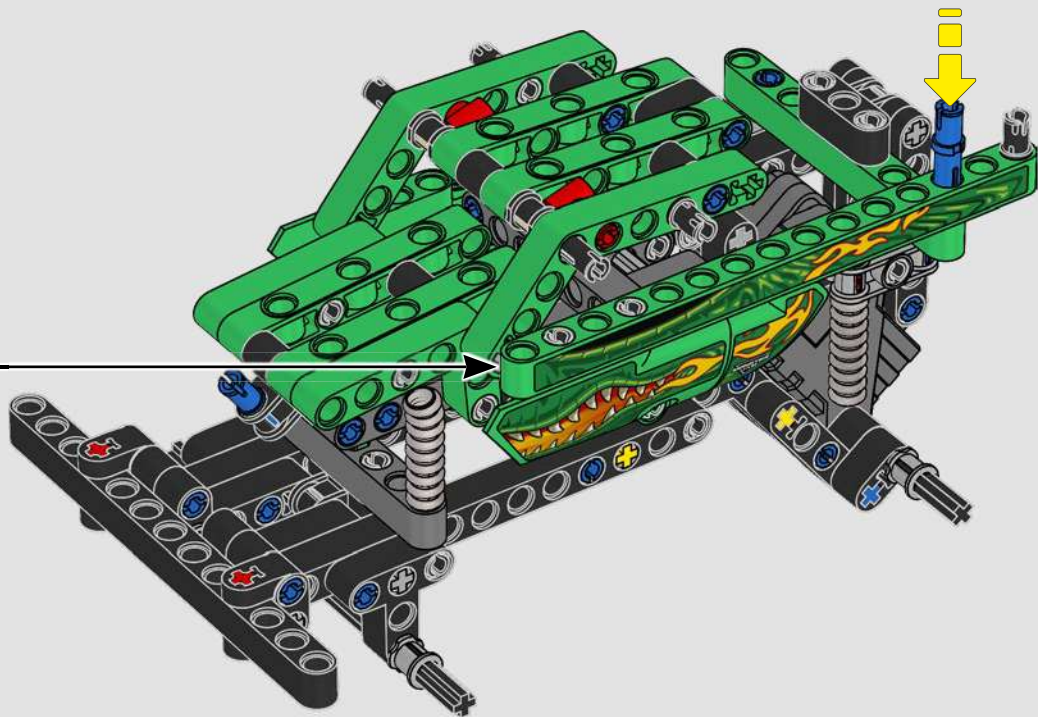


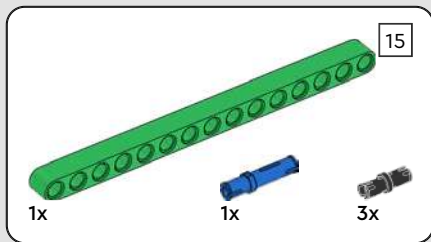
2



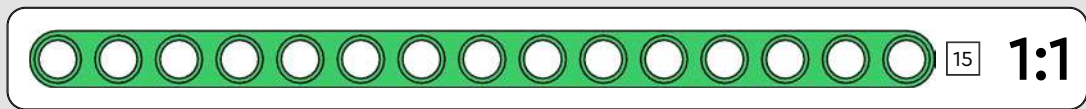
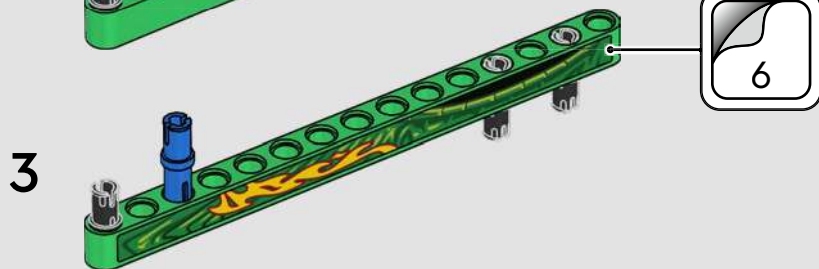
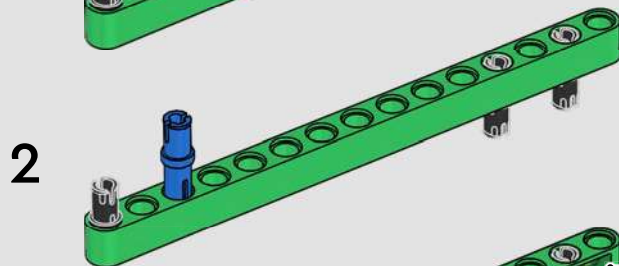
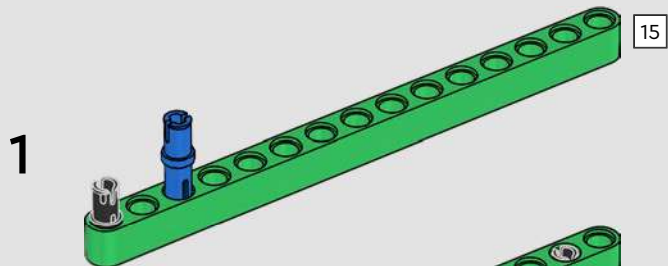
3

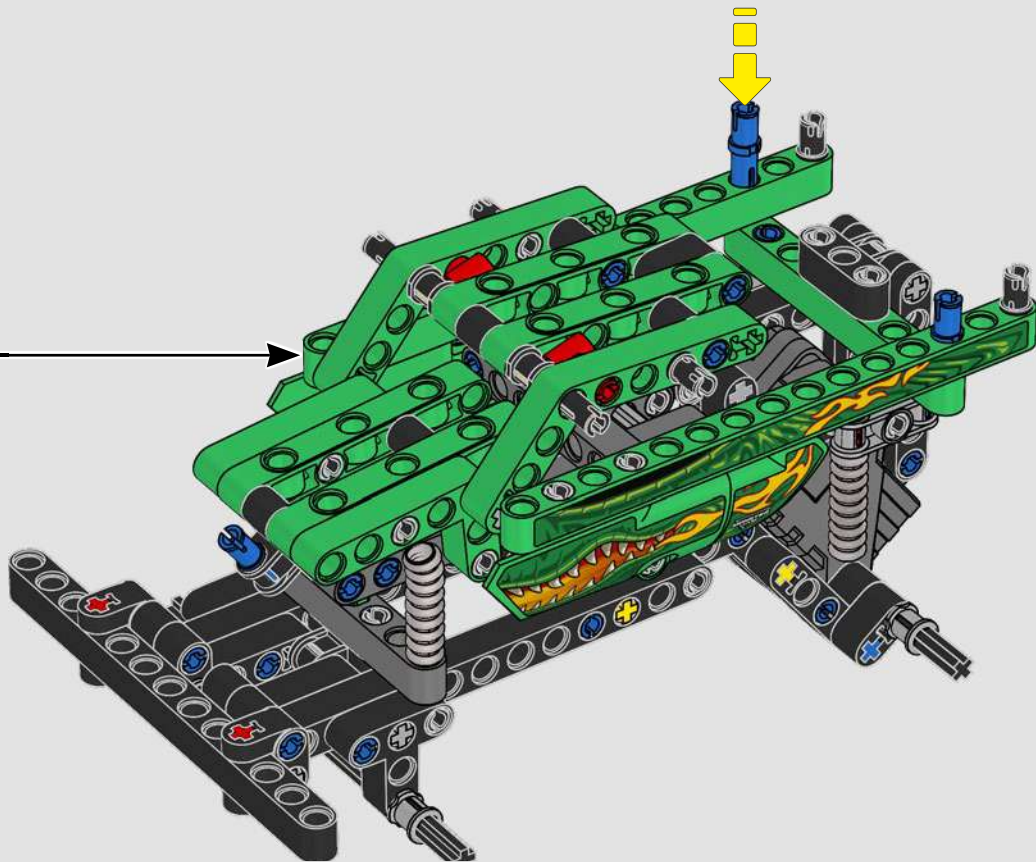




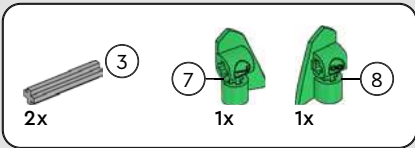


50

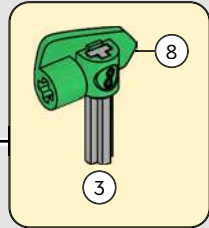
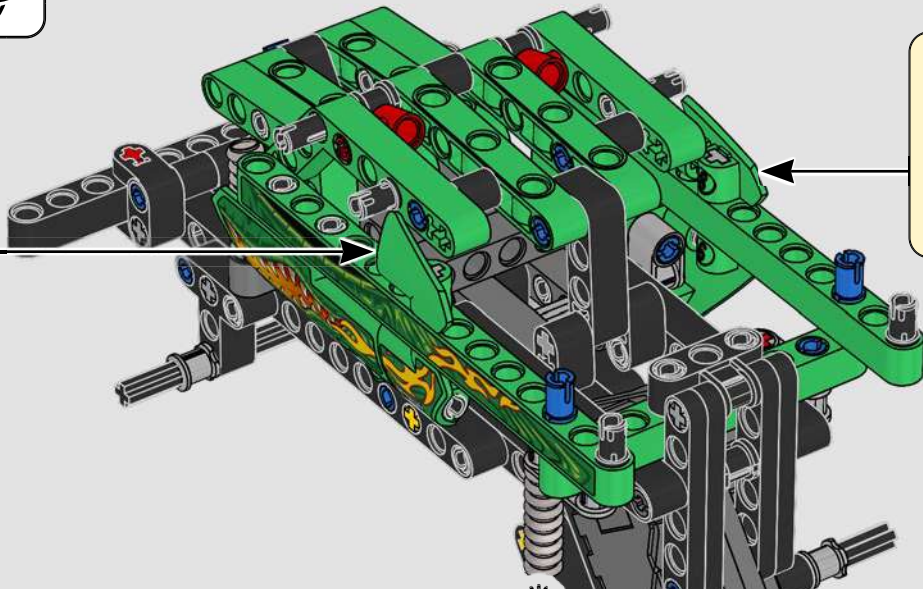
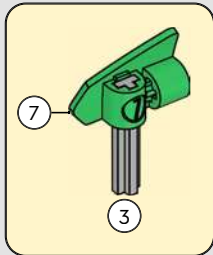




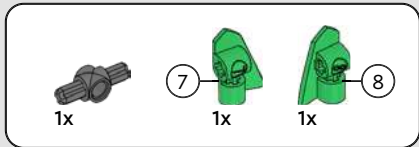




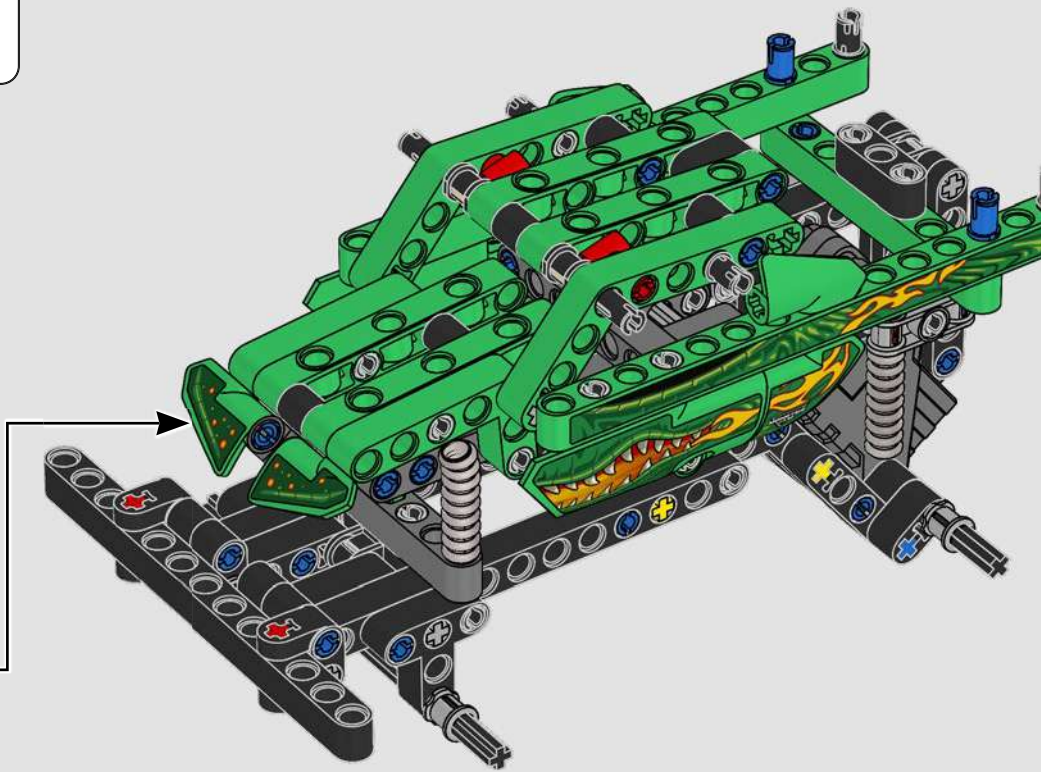
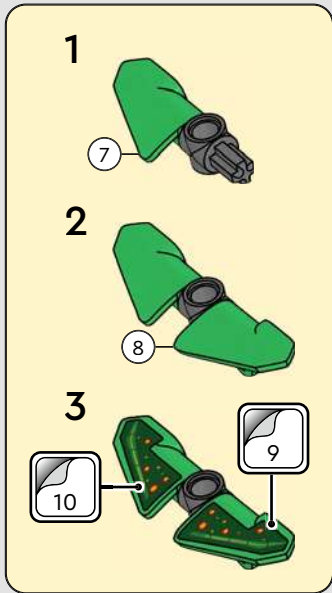
51

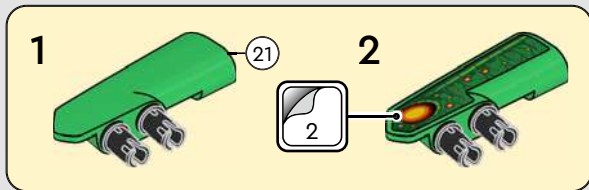
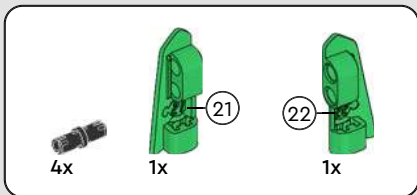




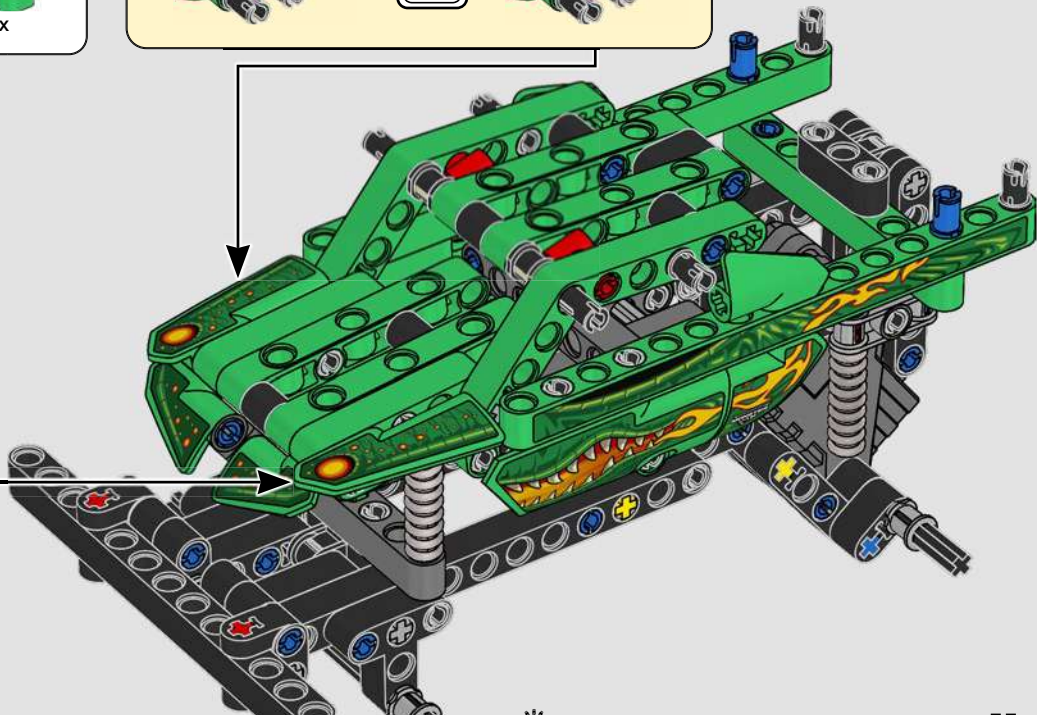
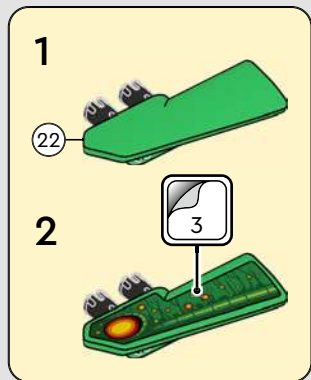


# 52



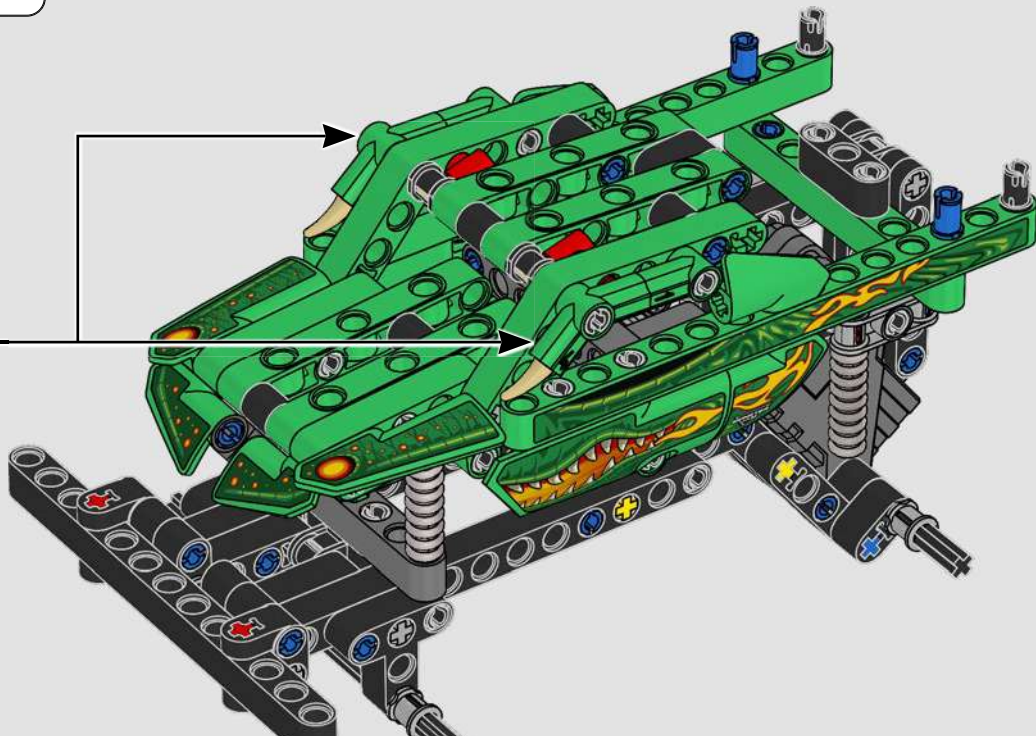
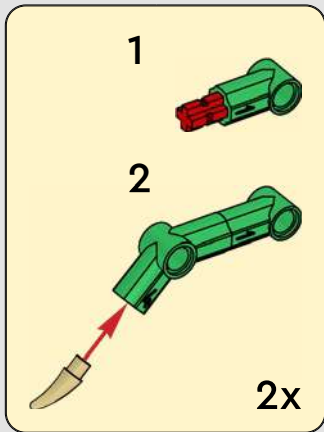


53



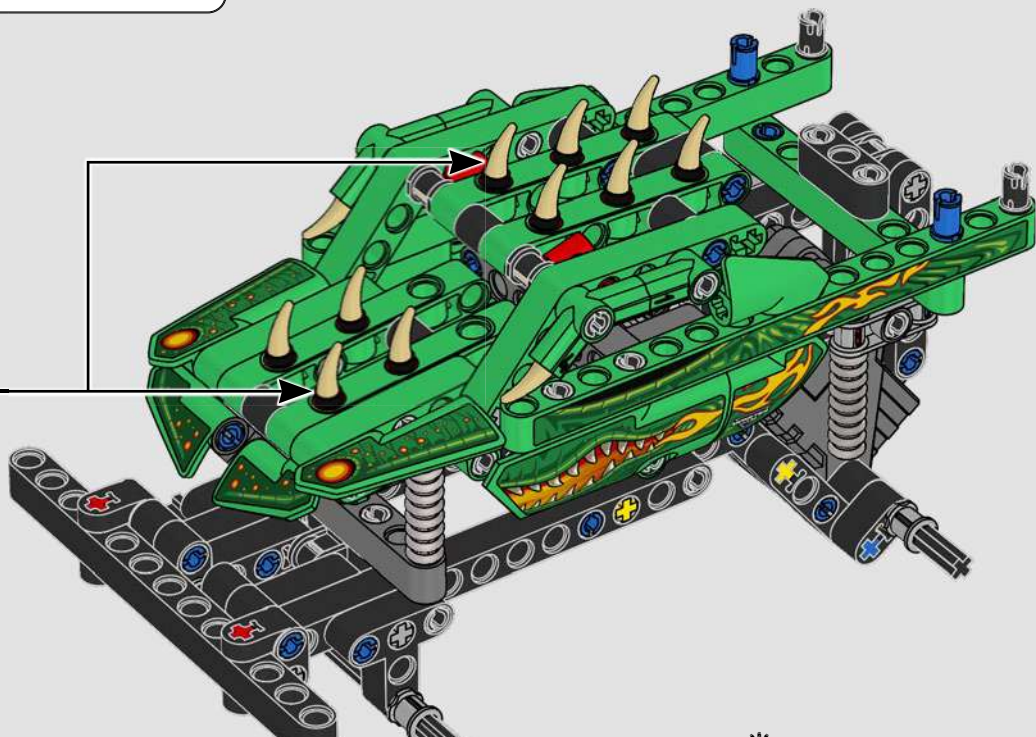


54

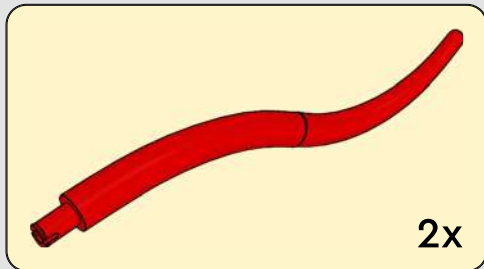
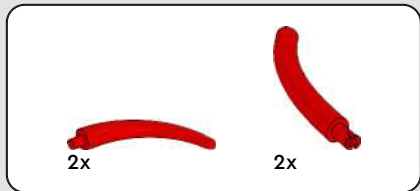




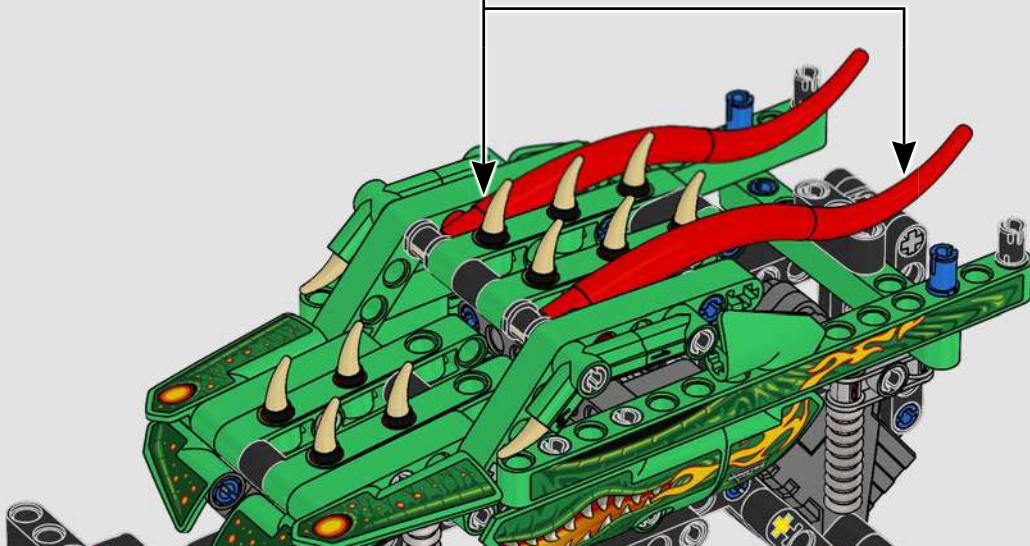
55

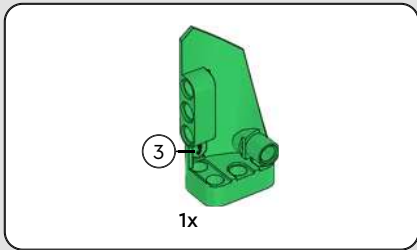




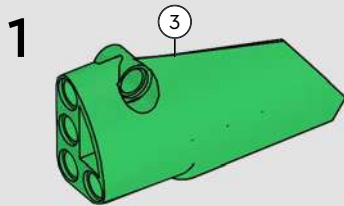


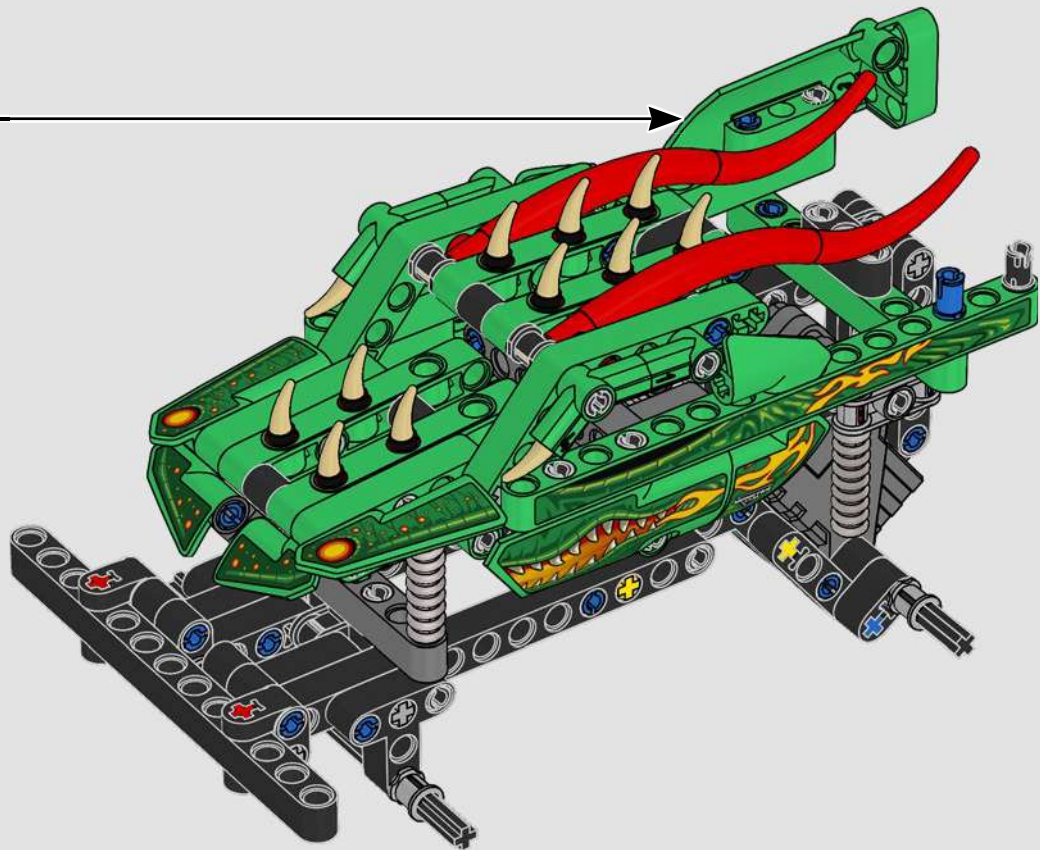
56

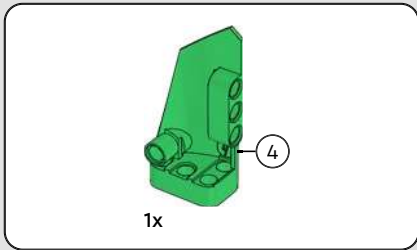




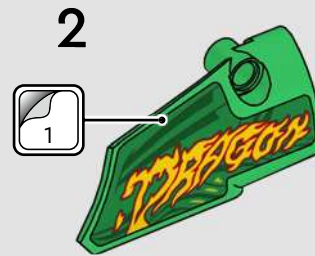
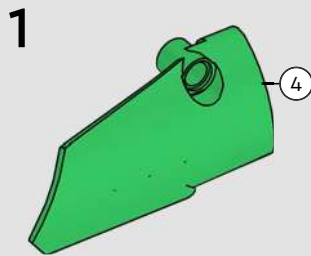
57



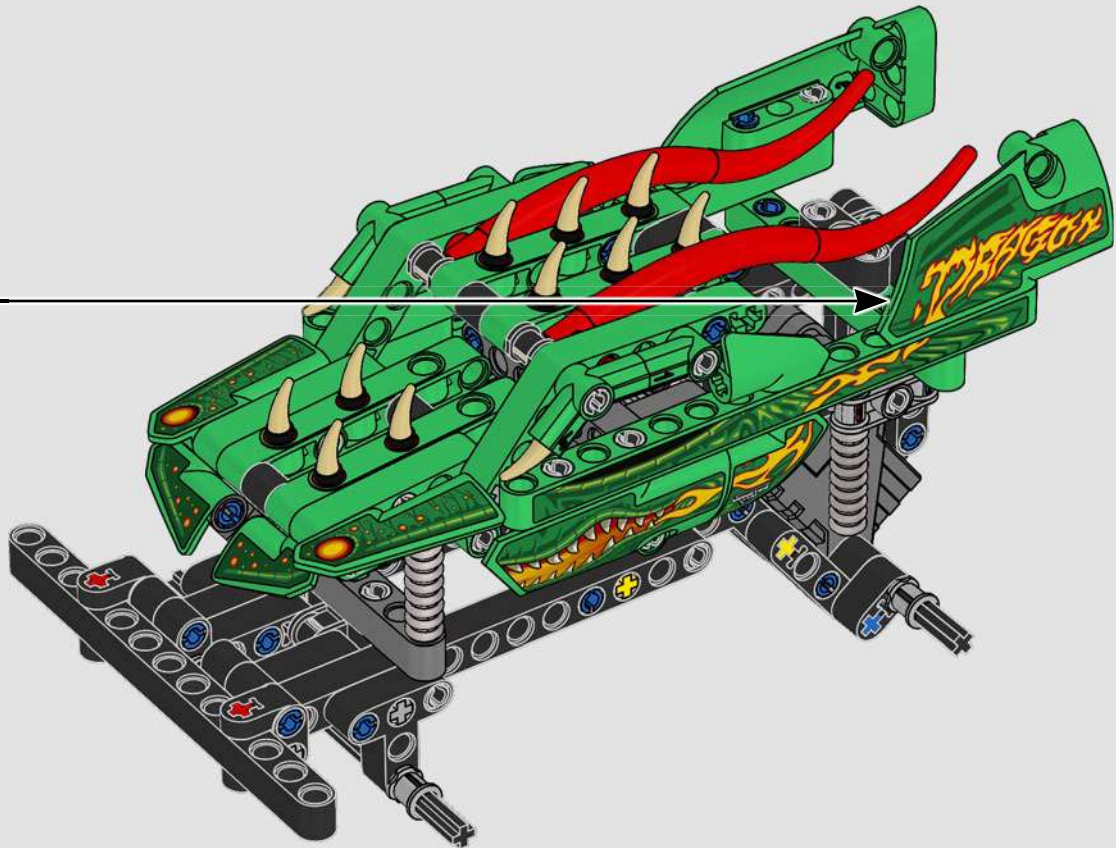


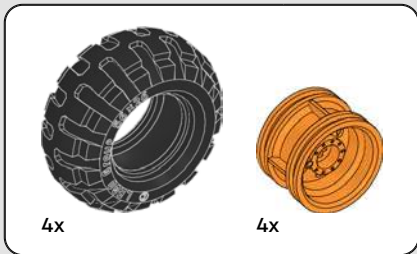


58

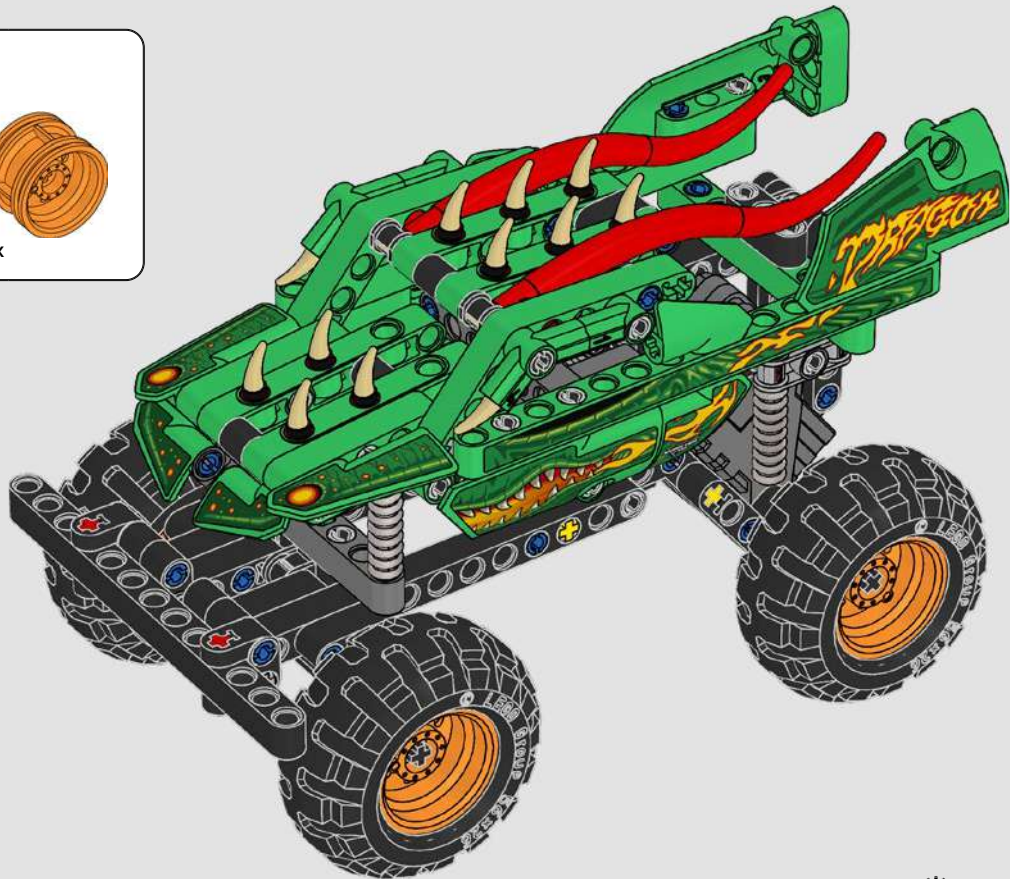








59



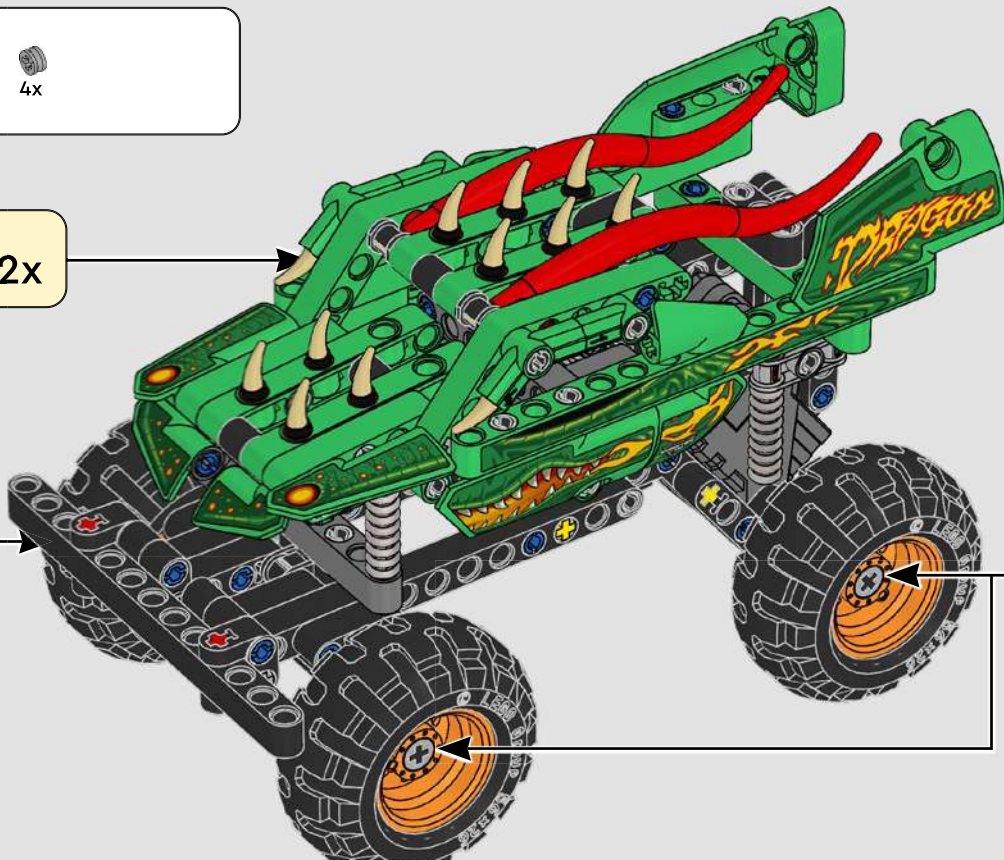


4x

60



2x



2x







**TECHNIC**<sup>TM</sup>



2x  
6334505

10x  
6378120

6x  
4142865

2x  
6336922

2x  
6253828

4x  
6271165

5x  
6275844

2x  
6261375

1x  
6143751

6x  
6121485

38x  
6279875

4x  
6265091

2x  
6349281

3x  
6321745

2x  
4552347

3x  
6362991

6x  
6271825

4x  
6163980

7

2x  
4495931

2x  
4603472



4x  
4297209



2x  
6279881

9

2x  
4645732

12

2x  
370826

13

3x  
4522933

12x  
6063671

7

4x  
4211805

3

4x  
4211815



2x  
6276969

2x  
6173127

2x  
6015356

2x  
6015356

2x  
6015356

1x  
6167281

1x  
6167281

1x  
6167281

2x  
6420614

11x  
4206482

20x  
6299413

2x  
6374073

2x  
6374073

5

3x  
6130008



4x  
6207477

8

2x  
6420781

9

1x  
6408169

21

1x  
6374530

4

2x  
6374073

3

2x  
6374072

5

3x  
6428614

2x  
6420635

2x  
6013557

7

2x  
6420780

7

2x  
6418454

4x  
6408167

9

1x  
6115618

2x  
6418453

15

7

2x  
6408170

22

1x  
6374074

3

1x  
6374074

2x  
6374072



2x  
6418454

4x  
6408167

9

1x  
6115618

2x  
6418453

15

7

2x  
6408170

22

1x  
6374074

3

2x  
6374072

[LEGO.com/service](https://www.LEGO.com/service)



YOU COULD  
**WIN**



Scan this QR code or go to  
**LEGO.COM/PRODUCTFEEDBACK** and give us  
your short feedback about this LEGO® set for  
a chance to win a cool LEGO prize.

Terms and Conditions apply\*

**DE: Du könntest GEWINNEN.** Es gelten die Teilnahmebedingungen\* **FR: Tu pourrais GAGNER.** Des conditions s'appliquent\* **IT: Potresti VINCERE tu.** Termini e condizioni sono applicabili\* **ES: Puedes GANAR.** Aplican términos y condiciones\* **PT: Poderá GANHAR.** Aplicam-se termos e condições\* **JA: プレゼント付き! 利用規約が適用されます\*** **ZH: 轻松获奖. 条款和条件适用\*** **KO: 상품의 주인이 되어보세요. 소정의 약관이 적용됩니다\*** **RU: Вы можете ВЫИГРАТЬ.** Действуют положения и условия\* **PL: Szansa na WYGRANĄ.** Obowiązują warunki korzystania\* **CS: Máte šanci VYHRÁT.** Platí všeobecné smluvní podmínky\* **SK: Máte šancu VYHRAŤ.** Platia všeobecné zmluvné podmienky\* **HU: TE IS NYERHETSZ.** Felhasználási feltételek érvényesek\* **RO: Ai putea CÂȘTIGA.** Se aplică termenii și condițiile\* **BG: Можете да СПЕЧЕЛИТЕ.** Има определени правила и условия\* **LV: Tu vari LAIMĒT.** Ir spēkā noteikumi un nosacījumi.\* **ET: Sul on võimalus VÕITA.** Kehtivad tingimused\* **LT: Jūs galite LAIMĖTI.** Taikomos sąlygos\*

\*[LEGO.com/productfeedback/terms](https://www.lego.com/productfeedback/terms)

LEGO and the LEGO logo are trademarks of the LEGO Group. ©2023 The LEGO Group.

©2023 Feld Motor Sports, Inc. MONSTER JAM™, DRAGON™ and all related logos and characters/designs are intellectual property of and used under license from Feld Motor Sports, Inc. All rights reserved.

6500723