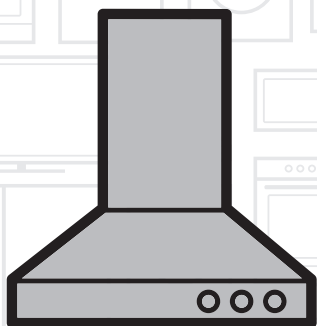


Hood

User manual



HNT 62210 B | HNT 62340 B

EN | PL | CS | ET | BG | RU |

01M-8850083200-0520-03
01M-8807493200-0520-03

beko

Please read this user manual first!

Dear Customer,

Thank you for preferring a Beko product. We hope that you get the best results from your product which has been manufactured with high quality and state-of-the-art technology. Therefore, please read this entire user manual and all other accompanying documents carefully before using the product and keep it as a reference for future use. If you handover the product to someone else, give the user manual as well. Follow all warnings and information in the user manual.

Remember that this user manual is also applicable for several other models. Differences between models are explicitly described in the manual.

Meanings of Symbols

Following symbols are used in various sections of this manual:



Important information and useful hints about usage.



WARNING: Warnings against dangerous situations concerning the security of life and property.



Warning for electric shock.



This product has been manufactured in environmental friendly modern plants without giving any harm to the nature.

CONTENTS

ENGLISH	04-15
POLSKI	16-28
ČESKY	29-41
EESTI	42-54
БЪЛГАРСКИ	55-68
РУССКИЙ	69-83

1 Important Safety and Environmental Instructions

1.1 General Safety

Important Safety Instructions Read Carefully And Keep For Future Reference

This section contains safety instructions that will help protect from risk of fire, electric shock, exposure to leak microwave energy, personal injury or property damage. Failure to follow these instructions shall void any warranty.

- Beko products comply with the applicable safety standards; therefore, in case of any damage on the appliance or power cable, it should be repaired or replaced by the dealer, service center or a specialist and authorized service alike to avoid any danger. Faulty or unqualified repair work may be dangerous and cause risk to the user.
- This appliance is intended to be used in household and similar applications such as:
 - Staff kitchen areas in shops, offices and other working environments;
 - Farm houses
 - By clients in hotels, and other residential type environments;
 - Bed and Breakfast type environments.
- Operate the appliance for its intended purpose only as described in this manual.
- The manufacturer cannot be held liable for damages resulting from improper installation or misuse of the product.
- This appliance can be used by children aged from 8 years and above and persons with reduced physical, sensory or mental capabilities or lack of experience and knowledge if they have been given supervision or instruction concerning use of the appliance in a safe way and understand the hazards involved.
- Children shall not be allowed play with the appliance. Cleaning and user maintenance shall not be made by children without supervision.
- The minimum distance between the supporting surface for the cooking vessels on the hob and the lowest part of your product must be at least 65 cm.
- If the instructions for installation for the gas hob specify a greater distance, this has to be taken into

1 Important Safety and Environmental Instructions

account.

- Make sure that your mains power supply complies with the information supplied on the rating plate of the appliance.
- Never use the appliance if the power cable or the appliance itself is damaged.
- Prevent damage to the power cable by not squeezing, bending, or rubbing it on sharp edges. Keep the power cable away from hot surfaces and naked flame.
- Use the appliance with a grounded outlet only.

WARNING: Do not connect the appliance to the mains until the installation is fully complete.

- Place the appliance in a way so that the plug is always accessible.
- Do not touch the lamps if they have operated for a long time. They can burn your hands since they will be hot.
- Follow the regulations set out by competent authorities on discharge of the exhaust air (this warning is not applicable for use without flue).
- Operate your appliance after putting a pot, pan etc. on the hob. Otherwise, high heat may cause

deformation in some parts of your product.

- Turn off the hob before taking the pot, pan etc. from it.
- Do not leave hot oil on the hob. Pans with hot oil may cause self combustion.
- Pay attention to your curtains and covers since oil may catch fire while cooking food such as fries.
- Grease filter must be replaced at least monthly. Carbon filter must be replaced at least every 3 months.
- Product shall be cleaned accordance with user manual. If cleaning was not carried out in accordance with user manual, there may be fire risk.
- Do not use non-fire-resistant filtering materials instead of the current filter.
- Only use the original parts or parts recommended by the manufacturer.
- Do not operate the product without the filter and do not remove the filters while the product is running.
- In the event of be started any flame, de-energize your product and cooking appliances.

1 Important Safety and Environmental Instructions

- In the event of be started any flame, cover the flame and never use water to extinguish.
- Unplug the appliance before each cleaning and when the appliance is not in use.
- The negative pressure in the environment should not exceed 4 Pa (4 x 10 bar) while the hood for electric hob and appliances running on another type of energy but electricity operate simultaneously.
- In the environment where the appliance is being used, the exhaust of devices running on fuel oil or gas, such as room heater must be absolutely isolated or device must be hermetical type.
- When connecting the flue, use pipes with a diameter of 120 or 150 mm. Pipe connection must be as short as possible and have as few elbows as possible.
- Do not flambe under the your product.
- Objects placed on the product may fall. Do not place any objects on the product.
- The ventilation in the room may be insufficient when the hood for electric hob is used simultaneously with the devices operating on gas or other fuels (this may not apply to appliances that only discharge the air back into the room).
- Do not flambe under the your product.

WARNING: Before installing the Hood, remove the protective films.

Danger of choking! Keep all the packaging materials away from children.

CAUTION: Accessible parts may become hot when used with cooking appliances.

- The product outlet must not be connected to air channels that in-

- Never leave high naked flames under the hood when it is in operation
- Deep fat fryers must be continuously monitored during use: overheated oil can burst into flames.

1 Important Safety and Environmental Instructions

1.2 Compliance with the WEEE Directive and Disposing of the Waste Product:

This product complies with EU WEEE Directive (2012/19/EU). This product bears a classification symbol for waste electrical and electronic equipment (WEEE).



This symbol indicates that this product

shall not be disposed with other household wastes

at the end of its service

life. Used device must be returned to

official collection point for recycling of

electrical and electronic devices. To find these collection systems please contact to your local authorities or retailer where the product was purchased. Each household performs important role

in recovering and recycling of old appliance.

Appropriate disposal of used appliance helps prevent potential negative consequences for the environment and human health.

1.3 Compliance with RoHS Directive

The product you have purchased complies with EU

RoHS Directive (2011/65/EU). It does not contain

harmful and prohibited materials specified in the

Directive.

1.4 Package Information



Packaging materials of the product are

manufactured from recyclable materials in accordance with our National

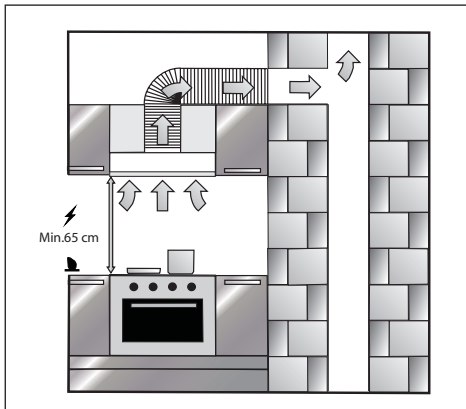
Environment Regulations. Do not dispose of the packaging materials together with the

domestic or other wastes. Take them to the packaging material collection points designated by the local authorities.

1 Important Safety and Environmental Instructions

1.5 Position of the hood

Install the hood beneath the cupboard. When the hood is installed, there must be at least 65 cm clearance with the product and cookers.

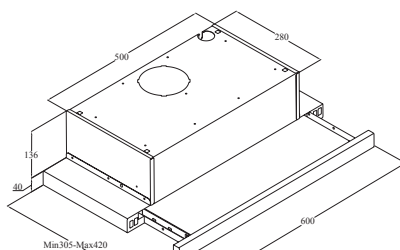
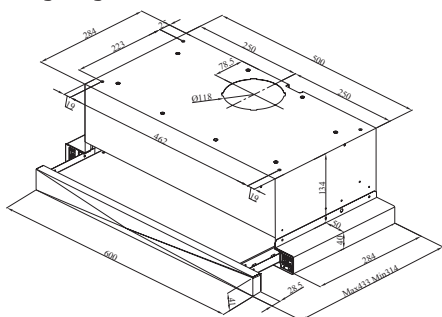


2 General Appearance

2.1 Overview



1. Front panel
2. Switch
3. Filter
4. Lighting



3 Installation of the hood

This installation manual covers all models indicated on the cover page.

3.1 Boring the hanger holes

Drill the holes indicated on the installation template with A, B, C, D using a $\varnothing 4$ mm drill bit. **Fig. 2**

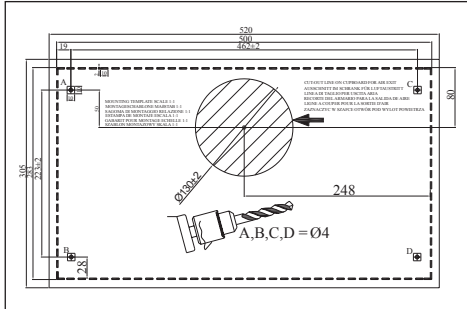


Fig. 2

Use the supplied 4 x 40 screws to fix the product to the cupboard at A, B, C, D holes. When the slider set moves, the front panel should not scrape off the cupboard door. **Fig. 3**

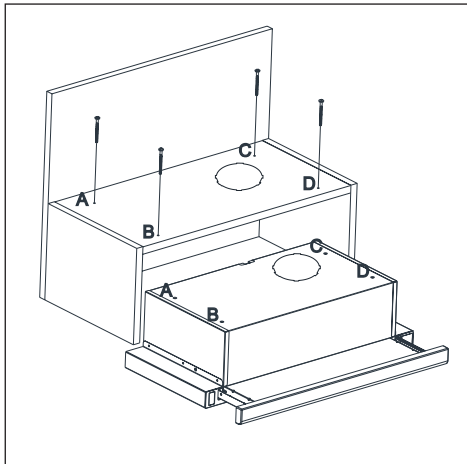


Fig. 3

Place the provided plastic flue at the flue output on the product. Rotate the plastic flue in clockwise direction. **Fig. 4**

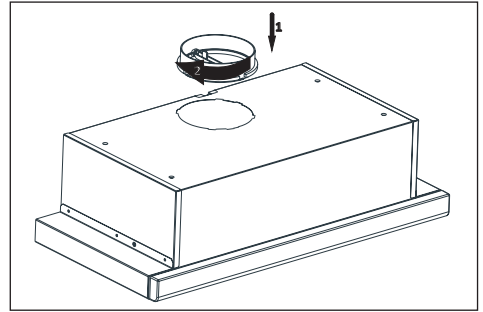


Fig. 4

Install the flexible aluminium flue on the plastic flue. Place the other tip of the flue into the flue hole. **Fig. 5**

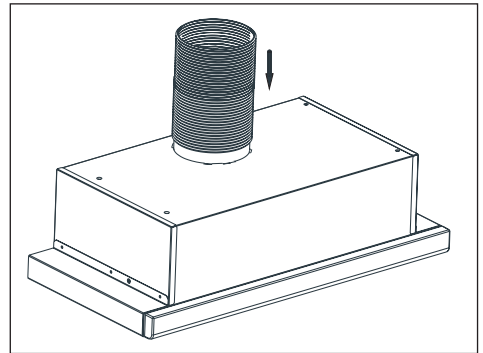


Fig. 5



WARNING: As the bends and elbows at the aluminium flue will cause decrease in the air suction power, using these must be avoided as much as possible.

3 Installation of the hood

3.2 Functions of the hood

The hood can be operated in kitchens with and without flue.

3.3. Usage with flue

In usage with flue connection, hood must be connected to a flue that will discharge the air outside. Ensure that the pipework connected to flue follows the shortest possible route to obtain best efficiency from your hood. The product is manufactured at the factory for usage with flue.



WARNING: The hood outlet must not be connected to air channels that include other smoke.

4 Usage with or without carbon filter

4.1 Functions of the hood

The hood can be operated in kitchens with and without flue.

4.2 Active carbon filter

An active carbon filter should be used in flueless environments for filtering and supplying the air back inside. Active carbon should be supplied from the service or your dealer.

4.3 Usage with carbon filter

Your product can be operated with carbon filter.

As the carbon filter is used in a kitchen that does not have a flue outlet, it should be replaced with a new one every 3 to 5 months depending on usage. Carbon filter should never be washed. In any case, the oil filters should be attached to the product regardless of using a carbon filter or not. Do not use your product without a filter.

4.4 Carbon filter replacement



De-energise the appliance before replacing the carbon filter. To install the carbon filter in its place, align the chamfers on the motor housing and then rotate in the clockwise direction. Rotate in counter-clockwise direction to remove.



WARNING: Aluminium filters can be washed in a dishwasher. The aluminium filters may alter in colour after several washes. This is normal and does not require the replacement of the filters.

4.5 Efficient ventilation

For an efficient ventilation in the kitchen, the outward windows of the kitchen should be kept closed. Operate the hood and the hob at the same time to create air flow. This will positively affect the suction power.

After completing the cooking, let the appliance operate for a while to remove the remaining odours and steams.



Care must be taken when the appliance is used with devices that use air and fuel (e.g. heaters, water heaters that operate on gas, diesel fuel, coal or wood). This is because it may decrease combustion as the hood discharges air into the room atmosphere.

This is not valid for use without flues.

5 Handling the hood

There is a multi-position switch on the hood to control the speed settings. For the best performance against heavy steams and odours, we recommend the high speed setting. The motor operates after the slider set is opened and stops when closed (this is optional).

The operation of the product should be initiated just a couple of minutes before starting the cooking process and kept in operation until all odour and steam are removed from the environment.

5.1 Spd rocker switch (HNT 62210 B)

Lamp button



To turn on the product lamp put the switch in lamp position. The slider set should be in pulled position in order to turn on the lamp.

1st and 2nd speed switch.



Put the switch in up position to operate the product in the 1st speed and in down position to operate in the 2nd speed.

3. Speed switch



Put the switch in down position to operate the product in the 3rd speed.

5.2 Spd digital switch (HNT 62340 B)

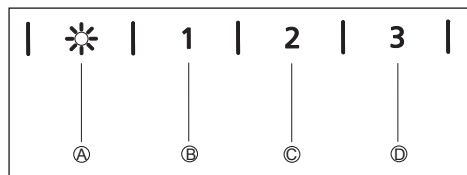


Fig. 6

(A): Light On/Off key

(B): 1st level

(C): 2nd level

(D): 3rd level

5.3 Digital electronic control with 3 levels

(A) Light On/Off key: You can illuminate the cooking area by pressing this key.

(B) key: You can start your hood at speed level 1 by pressing this key.

When you press this key again to switch off the appliance, speed level indication on the display disappears.

(C) key: You can start your hood at speed level 2 by pressing this key.

When you press this key again to switch off the appliance, speed level indication on the display disappears.

(D) key: You can start your hood at speed level 3 by pressing this key.

When you press this key again to switch off the appliance, speed level indication on the display disappears.

5 Handling the hood

Auto-stop in 15 min:

This appliance is equipped with an Auto-Stop function which allows the appliance to ventilate the room for an additional period of time in order to remove the unpleasant odour and vapour in the room after the cooking is over. Appliance stops automatically after a certain period of time.

To enable the Auto-stop function, press any of the speed level keys (B, C, D) on the control for longer than 2 seconds. A timer with 15 minutes will be activated.

If you press the same speed level key while the Auto-stop function is enabled, function will be disabled and the appliance will stop.

If you select a different speed level this function will be disabled.

If you want your appliance to stop automatically, you must enable the Auto-stop function again.

Periodic cleaning of metal filters:

Filters must be cleaned about every 60 hours of operation or 4 weeks depending on the frequency of usage.

5.4 Energy efficient usage:

- When operating the hood, adjust the speed level according to the odour and vapour intensity in order to prevent unnecessary power consumption.
- Use low speeds in normal conditions (1-2), and high speed (3) when smell and vapours are intensified.
- Lamps on the hood are intended for illuminating the cooking zone.
- Using them to illuminate the ambient/kitchen will result in unnecessary power consumption and inadequate illumination.

5.5 Handling the hood.

- Hood is equipped with a motor having various speed settings.
- For a better performance, we advise you to use low speeds in normal conditions, and high speeds when smell and vapours are intensified.
- You can start the hood by pressing the desired speed level key. (B, C, D)
- You can illuminate the cooking area by pressing the light key. (A);

6 Cleaning and maintenance

6.1 Maintenance

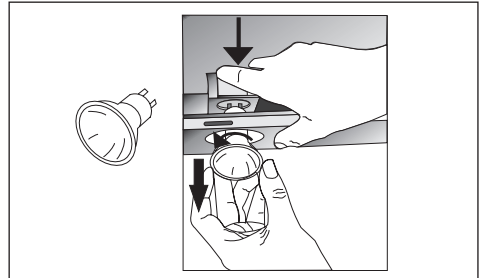
- Unplug and disconnect the product before any maintenance and cleaning operation.
- Aluminium cartridge filter collects the dust and oil particles in the air.
- Wash the metal filter once a month with hot water and soap or in dishwasher if possible (60 degrees).
- Press the spring catch on the tip to dislodge the aluminium cartridge filter. After cleaning, let it dry well before reinstalling.
- The exterior surface of the hood should be wiped clean with a cloth damped with soap and water or alcohol.
- Do not let the electronic parts get in touch with water or similar substances.
- INOX cleaning and maintenance products found in the market will prolong the life of your product.



WARNING: Aluminium filters can be washed in a dishwasher. The aluminium filters may alter in colour after several washes. This is normal and does not require the replacement of the filters.

6.2 Replacement of LED lamp

To replace the LED lamps, press the rear holder section of the lamp downwards and pull out the lamp towards the bottom direction and slightly rotate in a counter clockwise direction to remove it.



6.3 Troubleshooting

Before calling the service:

Ensure that the product is plugged in and the electrical fuse of the installation is intact. Do not attempt any action that may harm the product. Before contacting the service check the product as per Table 1. If the problem persists contact your dealer or the authorised service.

6 Cleaning and maintenance

	Check the power connection. Mains voltage should be 220–240 V, the hood should be connected to a grounded plug.	Check the motor switch. (Motor switch should be in On position.)	Check the lamp switch. (Motor switch should be in On position.)	Check the aluminium filter. (Aluminium cartridge filter should be washed once a month under normal conditions.)	Check the lamps. (The lamps should be in good condition.)	Check the air exhaust flue. (The air exhaust flue must be open.)	Check the carbon filter. (For the products with carbon filter, the filter should be replaced once in 3 months.)
Hood is not operating.	✓	✓					
Lighting does not operate.	✓		✓		✓		
Hood air suction is weak.				✓		✓	✓
Does not exhaust air (in flueless environments)				✓			✓