

Always there to help you

Register your product and get support at  
www.philips.com/welcome



HD3136  
HD3137  
Мультиварка  
Мультипісиріш



EN User manual RU Руководство пользователя

PHILIPS



Specifications are subject to change without notice  
© 2014 Koninklijke Philips N.V.  
All rights reserved.



## English

### 1 Your multicooker

Congratulations on your purchase, and welcome to Philips!  
To fully benefit from the support that Philips offers, register your product at www.philips.com/welcome.

### 2 What's in the box (fig.1)

Multicooker main unit	Measuring cup
Power cord	Steam basket
User manual	Recipe
Safety leaflet	Warranty card

### 3 Overview (fig.2)

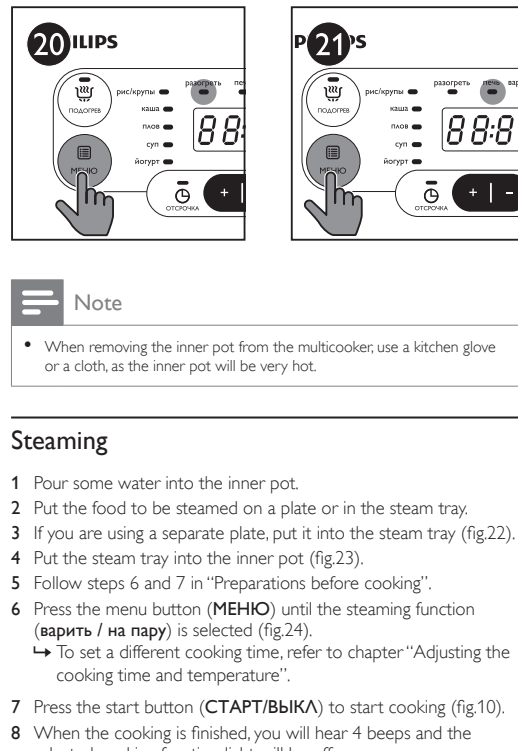
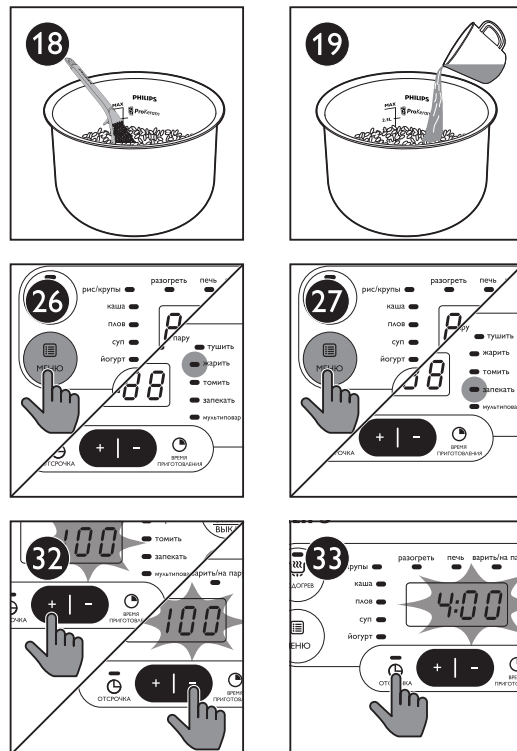
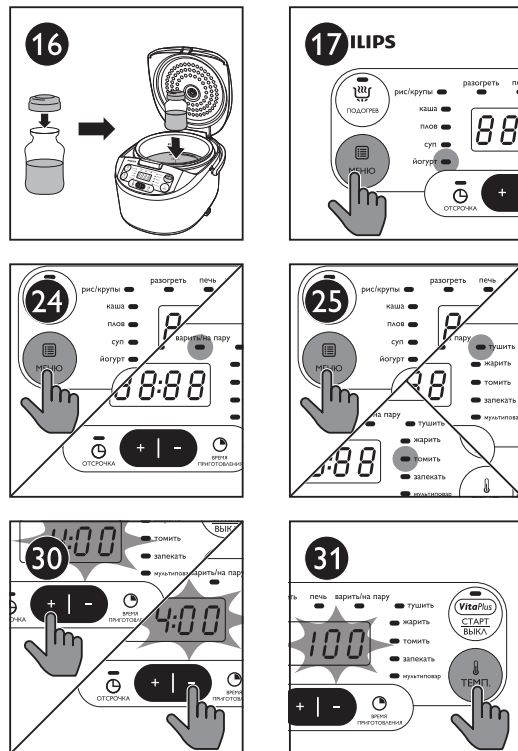
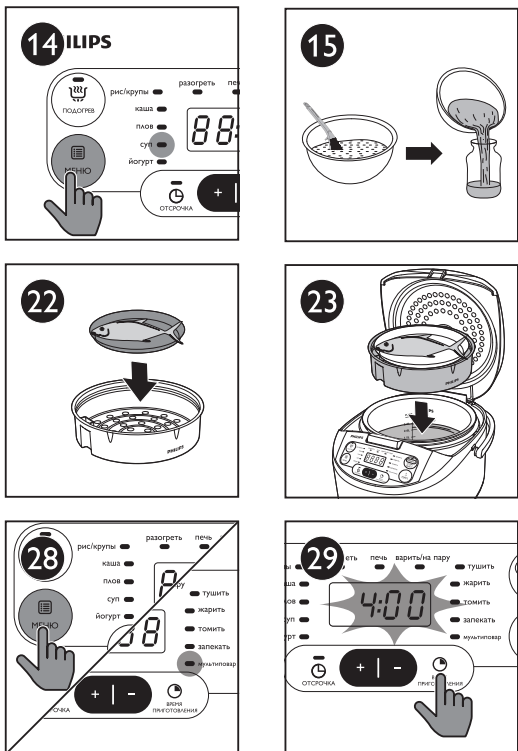
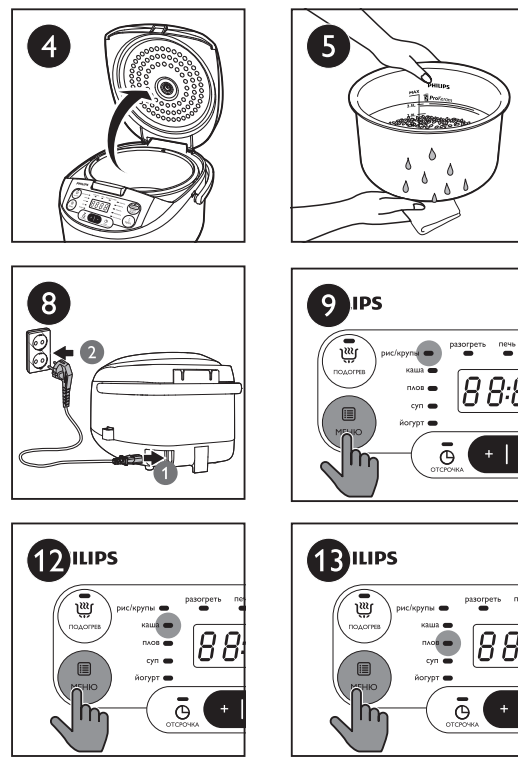
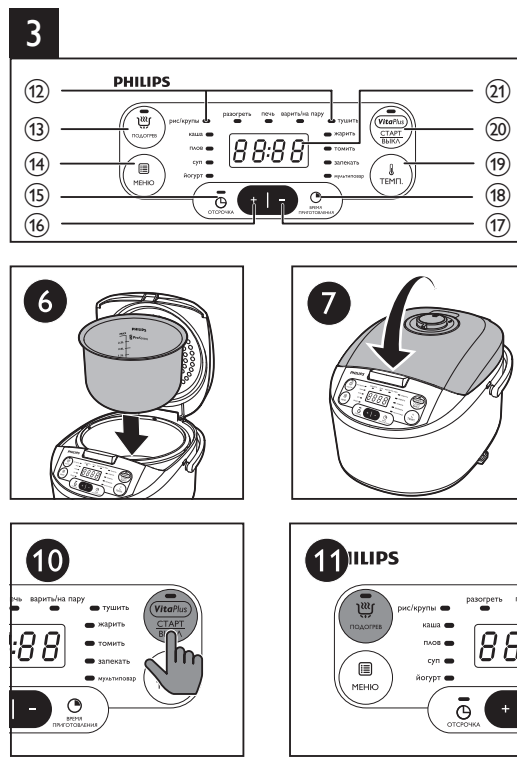
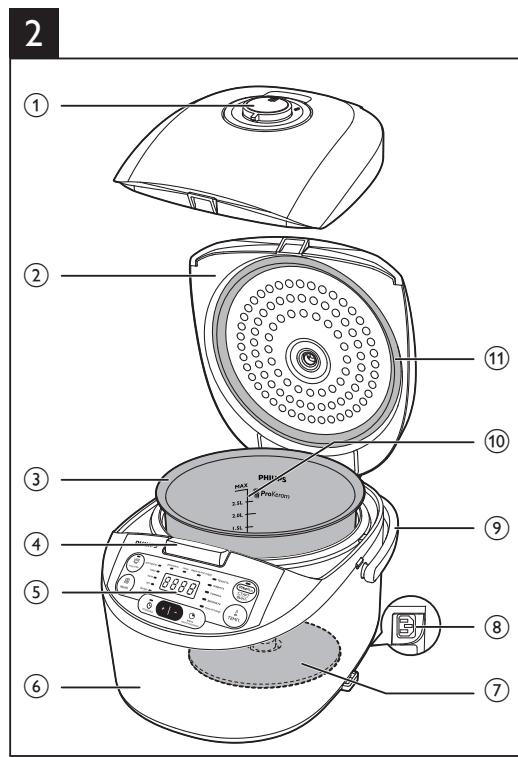
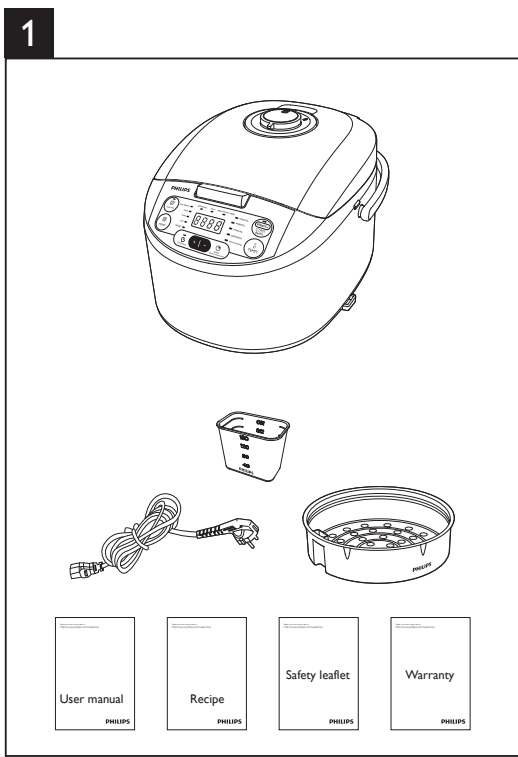
① Detachable steam vent cap	⑦ Heating element
② Top lid	⑧ Power socket
③ Inner pot	⑨ Cooker handle
④ Lid release button	⑩ Water level indications
⑤ Control panel	⑪ Sealing ring
⑥ Main body	

### Controls overview (fig.3)

⑫ Cooking functions	⑰ Decrease button
⑬ Keep-warm button	⑱ Cooking time button
⑭ Menu button	⑲ Temperature button
⑮ Preset button	⑳ Start/Cancel button
⑯ Increase button	㉑ Display

### Functions overview

Functions	Default cooking time	Adjustable cooking time	Preset time	Default cooking temperature
Rice/Grains (рис/крупы)	40 min	/	1-24 hr	130-140°C
Porridge (каша)	10 min	5 min - 2 hr	1-24 hr	90-100°C
Plov (плов)	35 min	/	1-24 hr	130-140°C
Soup (суп)	1 hr	20 min-4 hr	1-24 hr	100°C
Yogurt (йогурт)	8 hr	6-12 hr	1-24 hr	40±3°C
Reheat (разогреть)	25 min	5-60 min	/	85°C
Bake (печь)	45 min	20 min - 2 hr	/	130°C
Steam/Boil (варить/на пару)	20 min	5 min - 2 hr	1-24 hr	100°C
Stew (тушить)	1 hr	20 min - 10 hr	1-24 hr	90°C



Functions	Default cooking time	Adjustable cooking time	Preset time	Default cooking temperature
Fry (жарить)	15 min	5-60 min	/	145-150°C
Slow cook (томить)	5 hr	1-15 hr	1-24 hr	80°C
Roast (запекать)	1 hr	/	1-24 hr	130°C
Manual (мультивар)	2 hr	5 min - 10 hr	1-24 hr	100°C

### 4 Using the multicooker

#### Before first use

- Take out all the accessories from the inner pot. Remove the packaging material of the inner pot.
- Clean the parts of the multicooker thoroughly before using it for the first time (see chapter "Cleaning and Maintenance").

#### Note

- Make sure all parts are completely dry before you start using the multicooker.

#### Preparations before cooking

Before using the multicooker, you need to do the following steps:

- Measure the grains using the measuring cup provided.
- Wash the grains thoroughly.
- Put the pre-washed grains in the inner pot.
- Add water to the level indicated on the scale inside the inner pot and smooth the grains surface.
- Press the lid release button to open the lid (fig.4).
- Wipe the outside of the inner pot dry (fig.5), then put the inner pot in the multicooker (fig.6). Check if the inner pot is in proper contact with the heating element.
- Close the lid of the multicooker (fig.7), and put the plug in the power socket (fig.8).

#### Note

- Make sure that the inner pot is proper contact with the heating element.
- For details about the ratio of grains and water, see the recipe.
- The level marked inside the inner pot is just an indication. You can always adjust the water level for different types of grains and your own preference.
- Make sure that the outside of the inner pot is clean and dry, and that there is no foreign residue on the heating element or the magnetic switch.

#### Cooking rice/grains

- Follow the steps in "Preparations before cooking".
- Press the menu button (МЕНЮ) until the rice/grains cooking function (рис / крупы) is selected (fig.9).
- Press the start button (СТАРТ / ВЫКА) to start cooking (fig.10).
- When the cooking is finished, you will hear 4 beeps and the selected cooking function light will be off.
- The multicooker will be in keep-warm mode automatically. The keep-warm indicator (ПОДОГРЕВ) lights up (fig.11).

#### Note

- If the voltage is unstable at the area you live, it is possible that the multicooker overflows.
- After the cooking is finished, stir the rice and loosen it immediately to release excessive moisture for fluffy rice.
- Depending on the cooking conditions, the bottom portion of the rice may become slightly browned.

#### Cooking porridge

- Follow steps 1 to 7 in "Preparations before cooking".

#### Note

- Do not exceed the maximum water level indicated in the inner pot, as this may cause the multicooker to overflow.

#### Tip

- Besides following the water level indications, you may also add rice and water at 1:1.4 ratio for porridge cooking.

- Press the menu button (МЕНЮ) until the porridge function (каша) is selected (fig.12).
- To set a different cooking time, refer to chapter "Adjusting the cooking time and temperature".
- Press the start button (СТАРТ/ВЫКА) to start cooking (fig.10).
- When the cooking is finished, you will hear 4 beeps and the selected cooking function light will be off.
- The multicooker will be in keep-warm mode automatically. The keep-warm indicator (ПОДОГРЕВ) lights up (fig.11).

#### Making plov

- Put food and ingredients into the inner pot.
- Follow steps 6 and 7 in "Preparations before cooking".
- Press the menu button (МЕНЮ) until the plov function (плов) is selected (fig.13).
- Press the start button (СТАРТ / ВЫКА) to start cooking (fig.10).
- When the cooking is finished, you will hear 4 beeps and the selected cooking function light will be off.
- The multicooker will be in keep-warm mode automatically. The keep-warm indicator (ПОДОГРЕВ) lights up (fig.11).

#### Making soup

- Put ingredients and water into the inner pot.
- Follow steps 6 and 7 in "Preparations before cooking".
- Press the menu button (МЕНЮ) until the soup function (суп) is selected (fig.14).
- To set a different cooking time, refer to chapter "Adjusting the cooking time and temperature".

- Press the start button (СТАРТ/ВЫКА) to start cooking (fig.10).
- When the cooking is finished, you will hear a few beeps and the selected cooking function light will be off.
- The multicooker will be in keep-warm mode automatically. The keep-warm indicator (ПОДОГРЕВ) lights up (fig.11).

#### Making yogurt

- Whisk the ingredients for the yogurt well and put them in a glass container (fig.15).
- Put the glass container in the inner pot (fig.16). Make sure that the container is immersed in water.
- Pour some water in the inner pot. Make sure that half of the container is immersed in water.
- Follow steps 6 and 7 in "Preparations before cooking".
- Press the menu button (МЕНЮ) until the yogurt function (йогурт) is selected (fig.17).
- To set a different cooking time, refer to chapter "Adjusting the cooking time and temperature".

- Press the start button (СТАРТ / ВЫКА) to start cooking (fig.10).
- When the cooking is finished, you will hear 4 beeps and the selected cooking function light will be off.
- The multicooker will enter the standby mode automatically.

#### Reheating

- Loosen the cooled food and evenly distribute it in the inner pot (fig.18).
- Pour some water onto the food to prevent it from becoming too dry (fig.19). The quantity of the water depends on the amount of food.
- Follow steps 6 and 7 in "Preparations before cooking".
- Press the menu button (МЕНЮ) until the reheating function (разогреть) is selected (fig.20).
- To set a different cooking time, refer to chapter "Adjusting the cooking time and temperature".
- Press the start button (СТАРТ / ВЫКА) to start cooking (fig.10).
- When the cooking is finished, you will hear 4 beeps and the selected cooking function light will be off.
- The multicooker will be in keep-warm mode automatically. The keep-warm indicator (ПОДОГРЕВ) lights up (fig.11).

#### Baking

- Put the food and ingredients in the inner pot.
- Follow step 6 in "Preparations before cooking".
- Put the plug in the power socket.

#### Note

- When baking cake, keep the lid closed during cooking. Baking cake at 130°C and by 45 minutes usually delivers best cooking result.
- It's recommended to open lid during cooking when the temperature is above 130°C.

- Press the menu button (МЕНЮ) until the baking function (печь) is selected (fig.21).
- To set a different cooking time and temperature, refer to chapter "Adjusting the cooking time and temperature".

- Press the start button (СТАРТ / ВЫКА) to start cooking (fig.10).
- When the baking is finished, you will hear 4 beeps and the selected function light will be off.
- The multicooker will be in keep-warm mode automatically. The keep-warm indicator (ПОДОГРЕВ) lights up (fig.11).

#### Note

- When removing the inner pot from the multicooker, use a kitchen glove or a cloth, as the inner pot will be very hot.

#### Steaming

- Pour some water into the inner pot.
- Put the food to be steamed on a plate or in the steam tray.
- If you are using a separate plate, put it into the steam tray (fig.22).
- Put the steam tray into the inner pot (fig.23).
- Follow steps 6 and 7 in "Preparations before cooking".
- Press the menu button (МЕНЮ) until the steaming function (варить / на пару) is selected (fig.24).
- To set a different cooking time, refer to chapter "Adjusting the cooking time and temperature".
- Press the start button (СТАРТ/ВЫКА) to start cooking (fig.10).
- When the cooking is finished, you will hear 4 beeps and the selected cooking function light will be off.
- The multicooker will be in keep-warm mode automatically. The keep-warm indicator (ПОДОГРЕВ) lights up (fig.11).
- Open the lid and carefully take out the steamed food from the plate or the steam basket.

#### Note

- The quantity of water depends on the amount of food in the steam tray. Do not immerse the steam tray in water.
- Use a kitchen glove or a cloth, as the plate and steam tray will be very hot.

#### Boiling

- Put food and ingredients in the inner pot.
- Follow steps 6 and 7 in "Preparations before cooking".
- Press the menu button (МЕНЮ) until the boiling function (варить / на пару) is selected (fig.24).
- To set a different cooking time, refer to chapter "Adjusting the cooking time and temperature".
- Press the start button (СТАРТ/ВЫКА) to start cooking (fig.10).
- When the cooking is finished, you will hear a few beeps and the selected cooking function light will be off.
- The multicooker will be in keep-warm mode automatically. The keep-warm indicator (ПОДОГРЕВ) lights up (fig.11).

#### Stewing/Slow cooking

- Put the food and ingredients in the inner pot.
- Follow steps 6 and 7 in "Preparations before cooking".
- Press the menu button (МЕНЮ) until the stew/ragout function (тушить) or the slow cooking function (томить) is selected (fig.25).
- To set a different cooking time, refer to chapter "Adjusting the cooking time and temperature".
- Press the start button (СТАРТ/ВЫКА) to start cooking (fig.10).
- When the cooking is finished, you will hear a few beeps and the selected cooking function light will be off.
- The multicooker will be in keep-warm mode automatically. The keep-warm indicator (ПОДОГРЕВ) lights up (fig.11).

#### Frying

- Put food and ingredients into the inner pot.
- Follow step 6 in "Preparations before cooking".
- Put the plug in the power socket.
- Press the menu button (МЕНЮ) until the frying function (жарить) is selected (fig.26).
- To set a different cooking time, refer to chapter "Adjusting the cooking time and temperature".
- Press the start button (СТАРТ/ВЫКА) to start cooking (fig.10).
- When the cooking is finished, you will hear 4 beeps and the selected cooking function light will be off.
- The multicooker will be in keep-warm mode automatically. The keep-warm indicator (ПОДОГРЕВ) lights up (fig.11).

#### Note

- Do not close the top lid when cooking in the fry mode.

#### Roasting

- Put food and ingredients into the inner pot.
- Follow step 6 in "Preparations before cooking".

EAC

Изготовитель:  
"Филипс Консьюмер Лайфстайл Б.В.", Туссендиен 4,  
9206 АД, Драктен, Нидерланды

Импортер на территорию России и Таможенного Союза:  
ООО "ФИЛИПС", Российская Федерация, 123022 г.  
Москва, ул. Сергея Макеева, д.13, тел. +7 495 961-1111

Сделано в Китае

Дата производства указана в серийном номере  
устройства. Например, "ЖР1А134700001" означает, что  
изделие было произведено на 47-ой неделе 2013 года.

EAC

Өндүрүш:  
"Филипс Консьюмер Лайфстайл Б.В.", Туссендиен 4, 9206  
АД, Драктен, Нидерланды

Ресей жана Кенэдэн ОАК территориясына импорттаушы:  
"ФИЛИПС" ЖШК, Ресей Федерациясы, 123022 Мәскеу  
каласы, Сергей Макеев көшесі, 13-үй, тел. +7 495 961-1111

Қытайда жасап шығарылған

Өнімнің сериялық нөмірін өңдірілген күнін табуға  
болады. Мысалы, «ЖР1А134700001» өнімнің 2013 жылдың  
47-ші аптасында шығарылғанын білдіреді.

- Put the plug in the power socket.
- Press the menu button (МЕНЮ) until the roasting function (запекать) is selected (fig.27).
- To set a different cooking time, refer to chapter "Adjusting the cooking time".
- Press the start button (СТАРТ/ВЫКА) to start cooking (fig.10).
- There are 2 stages of roasting. For the first stage, cooking time is about 35 minutes, you will hear 5 beeps to remind to turn the food.
- Press the menu button (МЕНЮ) to continue the second stage, if it beeps for 5 minutes without operation, the multicooker will enter into keep-warm mode until end of the cooking time.

#### Manual

You may use the manual mode to cook food with more control over the cooking time and temperature.

- Put food and ingredients into the inner pot.
- Follow steps 6 and 7 in "Preparations before cooking". Press the menu button (МЕНЮ) until the manual function (мультивар) is selected (fig.28).
- To set a different cooking time and temperature, refer to chapter "Adjusting the cooking time and temperature".
- Press the start button (СТАРТ / ВЫКА) to start cooking (fig.10).
- When the cooking is finished, you will hear 4 beeps and the selected cooking function light will be off.
- The multicooker will be in keep-warm mode automatically. The keep-warm indicator (ПОДОГРЕВ) lights up (fig.11).

#### Note

- If you cook food at a temperature below 70°C, please turn off the keep-warm mode before start cooking.
- In manual (мультивар) mode, when cooking at a temperature higher than 130°C, the top lid must be opened during cooking.

#### Keep-warm mode

The multicooker provides you with easy control over the keep-warm mode.

- After you have selected the cooking function using the menu button (МЕНЮ), if you press the start button (СТАРТ/ВЫКА) directly, the keep-warm indicator will light up. After the cooking is finished, the multicooker will switch to keep-warm mode directly.
- After you have selected the cooking function using the menu button (МЕНЮ), if you press the keep-warm button first, and then the start button (СТАРТ/ВЫКА), the keep-warm indicator will be off. After the cooking is finished, the multicooker will be in standby mode.

#### Note

- In standby mode, you can press the keep-warm button (ПОДОГРЕВ) to enter keep-warm mode.
- In keep-warm mode, you can press the keep-warm button (ПОДОГРЕВ) to enter standby mode.

#### Adjusting the cooking time and temperature

You can adjust the cooking time for all functions except the rice/ grains, roast, and plov functions; and you can adjust the cooking temperature for baking and manual functions. Refer to the "Functions overview" table for the time and temperature regulation of each function.

After you have selected the desired cooking function using the menu button, the default cooking time will be displayed on the screen.

- To set a different cooking time, press the cooking time button (ВРЕМЯ ПРИГОТОВЛЕНИЯ) (fig.29), and the default cooking time starts flashing on the display.
- Press the increase (+) or the decrease (-) button to set the hour unit (fig.30).
- After the hour unit is set, wait for a few seconds before the hour unit is confirmed, and the minute unit starts flashing on the display.
- Press the increase (+) or the decrease (-) button to set the minute unit.
- To set a different cooking temperature, press the temperature button (ТЕМП.) (fig.31), and the default temperature starts flashing on the display.
- Press the increase (+) or the decrease (-) button to set the desired cooking temperature (fig.32).

#### Preset time for delayed cooking

You can preset the delayed cooking time for all cooking modes except the reheating, baking and frying modes.

- Follow steps 6 and 7 in "Preparations before cooking".
- Press the menu button (МЕНЮ) until your preferred cooking function is selected.



- Press the preset time button (**ОТСРОЧКА**), and the default preset time starts flashing on the display (fig.33).
- Press the increase button (+) and the decrease button (-) to set the desired preset time.
- Press the start button (**СТАРТ / ВЫКЛ**) to confirm the preset timer (fig.10).
- The cooking will be finished when the preset time has elapsed.You will hear 4 beeps and the selected cooking function light will be off.
- The multicooker will be in keep-warm mode automatically.
  - The keep- warm indicator (**ПОДОГРЕВ**) lights up (fig.11).

<b>Note</b>
<ul style="list-style-type: none"><li>The preset function is not available in bake (<b>печь</b>), fry (<b>жарить</b>), and reheat (<b>разогреть</b>) mode.</li> <li>The preset button is not responsive in standby mode.</li></ul>

## 5 Cleaning and Maintenance

<b>Note</b>
<ul style="list-style-type: none"><li>Unplug the multicooker before starting to clean it.</li> <li>Wait until the multicooker has cooled down sufficiently before cleaning it.</li></ul>

## Interior

Inside of the top lid and the main body:

- Wipe with wrung out and damp cloth.
- Make sure to remove all the food residues stuck to the multicooker.

Heating element:

- Wipe with wrung out and damp cloth.
- Remove food residues with wrung out and damp cloth.

## Exterior

Surface of the top lid and outside of the main body:

- Wipe with a cloth damped with soap water.
- Only use soft and dry cloth to wipe the control panel.
- Make sure to remove all the food residues around the control panel.

### Accessories

Inner pot, steam basket, and steam vent cap:

- Soak in hot water and clean with sponge.

## 6 Environment

Do not throw away the appliance with normal household waste at the end of its life, but hand it in at an official collection point for recycling. By doing this, you can help to preserve the environment.



## 7 Guarantee and service

If you need service or information, or if you have a problem, visit the Philips website at www.philips.com or contact the Philips Customer Care Center in your country.You can find its phone number in the worldwide guarantee leaflet.If there is no Customer Care Center in your country, go to your local Philips dealer.

## 8 Specifications

Model Number	HD3136	HD3137
Rated power output	980W	980W
Rated capacity	4.0L	5.0L

## 9 Troubleshooting

If you encounter problems when using this multicooker, check the following points before requesting service. If you cannot solve the problem, contact the Philips Consumer Care Center in your country.

Problem	Solution
The light on the button does not go on.	There is a connection problem. Check if the power cord is connected to the multicooker properly and if the plug is inserted firmly into the power outlet. <p>The light is defective. Take the appliance to your Philips dealer or a service center authorized by Philips.</p>
The display does not function.	The multicooker is not connected to the power supply. If there is no power supply, the power failure backup function does not work and the display does not function. <p>The battery for the display runs out of power.Take the appliance to your Philips dealer or a service center authorized by Philips to have the battery replaced.</p>
The rice is not cooked.	There is not enough water.Add water according to the scale on the inside of the inner pot. <p>You did not press the start button (<b>СТАРТ/ВЫКЛ</b>).</p> <p>Make sure that there is no foreign residue on the heating element and the outside of the inner pot before switching the multicooker on.</p> <p>The heating element is damaged, or the inner pot is deformed. Take the multicooker to your Philips dealer or a service center authorized by Philips.</p>
The rice is too dry and not well cooked.	Add more water to the rice, and cook for a bit longer.
The multicooker does not switch to the keep-warm mode automatically.	You might have pressed the keep-warm button ( <b>ПОДОГРЕВ</b> ) before pressing the start button ( <b>СТАРТ/ВЫКЛ</b> ). In this case the multicooker will be in standby mode after the cooking is finished. <p>The temperature control is defective. Take the appliance to your Philips dealer or a service center authorized by Philips.</p>
The rice is scorched.	You have not rise the rice properly. Rinse the rice until the water runs clear.
Water spills out of the multicooker during cooking.	Make sure that you add water to the level indicated on the scale inside the inner pot that corresponds to the number of cups of rice used.
I cannot get to the desired cooking function.	Press the menu button ( <b>МЕНЮ</b> ) repeatedly to select the desired function as shown by the indicator.
Rice smells bad after cooking	Clean the inner pot with some washing detergent and warm water. <p>After cooking, make sure the steam vent cap, inner lid and inner pot is cleaned thoroughly.</p>
Error message (E1, E2, E3, or E4) appears on the display.	There has been a power failure during cooking. Take the appliance to your Philips dealer or a service center authorized by Philips.

# Русский

## 1 Мультиварка

Поздравляем с покупкой и приветствуем вас в клубе Philips!
Чтобы воспользоваться всеми преимуществами поддержки Philips, зарегистрируйте устройство на веб-сайте www.philips.com/welcome.

## 2 Комплект поставки (рис. 1)

Мультиварка	Мерный стакан
Шнур питания	Паровая корзина
Руководство пользователя	Книга рецептов
Инструкции по безопасности	Гарантийная карточка

## 3 Описание прибора (рис. 2)

① Съемная крышка отверстия выхода пара	⑦ Нагревательный элемент
② Верхняя крышка	⑧ Разъем кабеля питания
③ Внутренняя чаша	⑨ Ручка мультиварки
④ Кнопка открывания крышки	⑩ Индикация уровня воды
⑤ Панель управления	⑪ Уплотнительное кольцо
⑥ Основной корпус	

## Описание элементов управления (рис. 3)

ⓐ Автоматические программы	ⓓ Кнопка уменьшения значения
ⓑ Кнопка индикации подогрева и его отключения	ⓔ Кнопка выбора времени приготовления
Ⓒ Кнопка меню	ⓖ Кнопка выбора температуры
ⓓ Кнопка отсрочки старта	ⓓ Кнопка включения/отмены
ⓔ Кнопка увеличения значения	ⓔ Экран

## Обзор функций

Функция	Время приготовления по умолчанию	Регулируемое время приготовления	Время отсрочки старта	Температура приготовления, установленная по умолчанию
Рис/крупы	40 мин.	/	1—24 ч.	130—140 °С
Каша	10 минут	5 мин.— 2 ч.	1—24 ч.	90—100 °С
Плов	35 мин.	/	1—24 ч.	130—140 °С
Суп	1 час	20 мин.— 4 ч.	1—24 ч.	100 °С
Йогурт	8 ч.	6—12 ч.	1—24 ч.	40±3 °С
Разогреть	25 мин.	5—60 мин.	/	85 °С
Печь	45 мин.	20 мин.— 2 ч.	/	130 °С
Варить/на пару	20 мин.	5 мин.— 2 ч.	1—24 ч.	100 °С
Тушить	1 час	20 мин.— 10 ч.	1—24 ч.	90 °С
Жарить	15 мин.	5—60 мин.	/	145—150 °С
Томить	5 ч.	1—15 ч.	1—24 ч.	80 °С
Запекать	1 час /	/	1—24 ч.	130 °С
Мультиповар	2 ч.	5 мин.— 10 ч.	1—24 ч.	100 °С

<b>Примечание</b>
<ul style="list-style-type: none"><li>Температуру можно настраивать для функции приготовления выпечки и ручных режимов. Для выпекания можно выбрать температуру от 40 °С до 160 °С, а для режима мультиповара — от 30 °С до 160 °С (с шагом 10 °С).</li> <li>После запуска процесса приготовления для отключения программ нажмите и удерживайте кнопку включения/выключения (<b>СТАРТ / ВЫКЛ</b>). Мультиварка перейдет в режим ожидания.</li></ul>

## 4 Использование мультиварки

### Перед первым использованием

- Извлеките все принадлежности из внутренней чаши. Снимите с внутренней чаши упаковочные материалы.
- Тщательно очистите все детали мультиварки перед первым использованием (см. главу “Очистка и уход”).

<b>Примечание</b>
<ul style="list-style-type: none"><li>Перед использованием мультиварки убедитесь, что все части абсолютно сухие.</li></ul>

### Подготовка к работе

Перед использованием мультиварки выполните следующие действия.

- Измерьте количество крупы с помощью прилагаемого мерного стакана.
- Тщательно промойте крупу.
- Поместите предварительно промытый рис во внутреннюю чашу.
- Налейте воду до уровня, указанного на шкале во внутренней чаше, и равномерно распределите крупу.
- Откройте крышку, нажав соответствующую кнопку (рис. 4).
- Протрите насухо внешнейю поверхность внутренней чаши (рис. 5), установите чашу в мультиварку (рис. 6). Убедитесь, что внутренняя чаша касается нагревательного элемента должным образом.
- Закройте крышку мультиварки (рис. 7), вставьте вилку в розетку электросети (рис. 8).

<b>Примечание</b>
<ul style="list-style-type: none"><li>Убедитесь, что внутренняя чаша правильно соединена с нагревательным элементом.</li> <li>Подробности о соотношении количества крупы и воды см. в рецепте.</li> <li>Уровень, отмененный во внутренней чаше, является рекомендованным. Объем воды можно изменять в соответствии с типом крупы и вашими предпочтениями.</li> <li>Убедитесь, что внешняя поверхность внутренней чаши является сухой и чистой, а на нагревательном элементе и магнитном переключателе отсутствуют загрязнения.</li></ul>

### Приготовление риса и круп

- Следуйте инструкциям в главе “Подготовка к работе”.
- С помощью кнопки меню (**МЕНЮ**) выберите функцию приготовления риса/крупы (**рис / крупы**) (рис. 9).
- Нажмите кнопку включения (**СТАРТ / ВЫКЛ**) для запуска процесса приготовления (рис. 10).

- По окончании приготовления прозвучит 4 звуковых сигнала, индикатор выбранной функции погаснет.
- Мультиварка автоматически перейдет в режим подогрева.
  - Загорится индикатор режима подогрева (**ПОДОГРЕВ**) (рис. 11).

<b>Примечание</b>
<ul style="list-style-type: none"><li>Если в вашем регионе в сети наблюдаются перепады напряжения, чаша мультиварки может перелопачивать.</li> <li>По окончании приготовления сразу же перемешайте рис, чтобы разрыхлить его и выпарить лишнюю жидкость. Это позволит получить более рассычатый рис.</li> <li>В зависимости от условий приготовления нижний слой риса может стать золотистым.</li></ul>

### Приготовление каши

- Следуйте шагам 1—7 в главе “Подготовка к работе”.

<b>Примечание</b>
<ul style="list-style-type: none"><li>Во избежание перелопачивания мультиварки не превышайте максимальный уровень воды, указанный во внутренней чаше.</li></ul>

<b>Совет</b>
<ul style="list-style-type: none"><li>Помимо соблюдения указанного уровня воды, для приготовления каши можно также использовать рис и воду в пропорции 1:4.</li></ul>

- С помощью кнопки меню (**МЕНЮ**) выберите функцию приготовления каши (**каша**) (рис. 12).
  - Чтобы задать другое время приготовления, см. главу “Изменение времени и температуры приготовления”.
- Нажмите кнопку включения (**СТАРТ / ВЫКЛ**) для запуска процесса приготовления (рис. 10).
- По окончании приготовления прозвучит 4 звуковых сигнала, индикатор выбранной функции погаснет.
- Мультиварка автоматически перейдет в режим подогрева.
  - Загорится индикатор режима подогрева (**ПОДОГРЕВ**) (рис. 11).

## Приготовление плова

- Положите ингредиенты во внутреннюю чашу.
- Следуйте шагам 6 и 7 в главе “Подготовка к работе”.
- С помощью кнопки меню (**МЕНЮ**) выберите функцию приготовления плова (**плов**) (рис. 13).
- Нажмите кнопку включения (**СТАРТ / ВЫКЛ**) для запуска процесса приготовления (рис. 10).
- По окончании приготовления прозвучит 4 звуковых сигнала, индикатор выбранной функции погаснет.
- Мультиварка автоматически перейдет в режим подогрева.
- Загорится индикатор режима подогрева (**ПОДОГРЕВ**) (рис. 11).

### Приготовление супа

- Положите ингредиенты и налейте воду во внутреннюю чашу.
- Следуйте шагам 6 и 7 в главе “Подготовка к работе”.
- С помощью кнопки меню (**МЕНЮ**) выберите функцию приготовления супа (**суп**) (рис. 14).
  - Чтобы задать другое время приготовления, см. главу “Изменение времени и температуры приготовления”.
- Нажмите кнопку включения (**СТАРТ / ВЫКЛ**) для запуска процесса приготовления (рис. 10).
- По окончании приготовления прозвучит несколько звуковых сигналов, индикатор выбранной функции погаснет.
- Мультиварка автоматически перейдет в режим подогрева.
  - Загорится индикатор режима подогрева (**ПОДОГРЕВ**) (рис. 11).

### Приготовление йогурта

- Хорошо перемешайте ингредиенты для йогурта и положите их в стеклянный контейнер (рис. 15).
- Стеклянный контейнер поставьте во внутреннюю чашу (рис. 16). Контейнер должен быть плотно закрыт.
- Налейте воду во внутреннюю чашу. Контейнер должен быть погружен в воду наполовину.
- Следуйте шагам 6 и 7 в главе “Подготовка к работе”.
- С помощью кнопки меню (**МЕНЮ**) выберите функцию приготовления йогурта (**йогурт**) (рис. 17).
  - Чтобы задать другое время приготовления, см. главу “Изменение времени и температуры приготовления”.
- Нажмите кнопку включения (**СТАРТ / ВЫКЛ**) для запуска процесса приготовления (рис. 10).
- По окончании приготовления прозвучит 4 звуковых сигнала, индикатор выбранной функции погаснет.
  - Мультиварка автоматически перейдет в режим ожидания.

## Разогрев

- Помешайте остывшее блюдо и равномерно распределите ингредиенты во внутренней чашу (рис. 18).
- Чтобы блюдо не получилось сухим, добавьте немного воды (рис. 19). Количество воды зависит от нужного объема порции.
- Следуйте шагам 6 и 7 в главе “Подготовка к работе”.
- С помощью кнопки меню (**МЕНЮ**) выберите функцию разогрева (**разогреть**) (рис. 20).
  - Чтобы задать другое время приготовления, см. главу “Изменение времени и температуры приготовления”.
- Нажмите кнопку включения (**СТАРТ / ВЫКЛ**) для запуска процесса приготовления (рис. 10).
- По окончании приготовления прозвучит 4 звуковых сигнала, индикатор выбранной функции погаснет.
- Мультиварка автоматически перейдет в режим подогрева.
  - Загорится индикатор режима подогрева (**ПОДОГРЕВ**) (рис. 11).

### Выпечка

- Положите ингредиенты во внутреннюю чашу.
- Следуйте инструкциям в шаге 6 главы “Подготовка к работе”.
- Подключите сетевую вилку к электросетке.

<b>Примечание</b>
<ul style="list-style-type: none"><li>При выпечке тортов крышка должна быть закрыта. Оптимальной для выпечки считается температура 130 °С и время приготовления 45 минут.</li> <li>Во время приготовления рекомендуется открывать крышку, если температура превышает 130 °С.</li></ul>

- С помощью кнопки меню (**МЕНЮ**) выберите функцию выпекания (**печь**) (рис. 21).
  - Чтобы задать другое время и температуру, см. главу “Изменение времени и температуры приготовления”.

- Нажмите кнопку включения (**СТАРТ / ВЫКЛ**) для запуска процесса приготовления (рис. 10).
- По окончании выпекания прозвучат 4 звуковых сигнала, а индикатор выбранной функции погаснет.
- Мультиварка автоматически перейдет в режим подогрева.
  - Загорится индикатор режима подогрева (**ПОДОГРЕВ**) (рис. 11).

<b>Примечание</b>
<ul style="list-style-type: none"><li>Извекая внутреннюю чашу из мультиварки, пользуйтесь кухонными рукавицами или прихватками — чаша сильно нагревается.</li></ul>

### Пароварка

- Налейте воду во внутреннюю чашу.
- Поместите продукты для приготовления на пару на тарелку или в поддон пароварки.
- При использовании отдельной тарелки поместите ее в поддон пароварки (рис. 22).
- Поставьте поддон пароварки во внутреннюю чашу (рис. 23).
- Следуйте шагам 6 и 7 в главе “Подготовка к работе”.
- С помощью кнопки меню (**МЕНЮ**) выберите функцию приготовления на пару (**варить / на пару**) (рис. 24).
  - Чтобы задать другое время приготовления, см. главу “Изменение времени и температуры приготовления”.
- Нажмите кнопку включения (**СТАРТ / ВЫКЛ**) для запуска процесса приготовления (рис. 10).
- По окончании приготовления прозвучит 4 звуковых сигнала, индикатор выбранной функции погаснет.
- Мультиварка автоматически перейдет в режим подогрева.
  - Загорится индикатор режима подогрева (**ПОДОГРЕВ**) (рис. 11).
- Откройте крышку и аккуратно извлеките продукты из тарелки или паровой корзины.

<b>Примечание</b>
<ul style="list-style-type: none"><li>Количество воды зависит от количества продуктов в лотке для приготовления на пару. Не погружайте лоток, для приготовления на пару в воду.</li> <li>Используйте кухонную прихватку или ткань, так как тарелка и поддон очень горячие.</li></ul>

### Кипячение

- Положите ингредиенты во внутреннюю чашу.
- Следуйте шагам 6 и 7 в главе “Подготовка к работе”.
- С помощью кнопки меню (**МЕНЮ**) выберите функцию варки (**варить / на пару**) (рис. 24).
  - Чтобы задать другое время приготовления, см. главу “Изменение времени и температуры приготовления”.
- Нажмите кнопку включения (**СТАРТ / ВЫКЛ**) для запуска процесса приготовления (рис. 10).
- По окончании приготовления прозвучит несколько звуковых сигналов, индикатор выбранной функции погаснет.
- Мультиварка автоматически перейдет в режим подогрева.
  - Загорится индикатор режима подогрева (**ПОДОГРЕВ**) (рис. 11).

### Тушение/томление

- Положите ингредиенты во внутреннюю чашу.
- Следуйте шагам 6 и 7 в главе “Подготовка к работе”.
- С помощью кнопки меню (**МЕНЮ**) выберите функцию тушения/рагу (**тушить**) или функцию томления (**томить**) (рис. 25).
  - Чтобы задать другое время приготовления, см. главу “Изменение времени и температуры приготовления”.
- Нажмите кнопку включения (**СТАРТ / ВЫКЛ**) для запуска процесса приготовления (рис. 10).
- По окончании приготовления прозвучит несколько звуковых сигналов, индикатор выбранной функции погаснет.
- Мультиварка автоматически перейдет в режим подогрева.
  - Загорится индикатор режима подогрева (**ПОДОГРЕВ**) (рис. 11).

## Жарка

- Положите ингредиенты во внутреннюю чашу.
- Следуйте инструкциям в шаге 6 главы “Подготовка к работе”.
- Подключите сетевую вилку к электросетке.
- С помощью кнопки меню (**МЕНЮ**) выберите функцию жарки (**жарить**) (рис. 26).
  - Чтобы задать другое время приготовления, см. главу “Изменение времени и температуры приготовления”.
- Нажмите кнопку включения (**СТАРТ / ВЫКЛ**) для запуска процесса приготовления (рис. 10).
- По окончании приготовления прозвучит 4 звуковых сигнала, индикатор выбранной функции погаснет.
- Мультиварка автоматически перейдет в режим подогрева.
  - Загорится индикатор режима подогрева (**ПОДОГРЕВ**) (рис. 11).

<b>Примечание</b>
<ul style="list-style-type: none"><li>В режиме “жарить” не накрывайте прибор верхней крышкой.</li></ul>

### Обжарка

- Положите ингредиенты во внутреннюю чашу.
- Следуйте инструкциям в шаге 6 главы “Подготовка к работе”.
- Подключите сетевую вилку к электросетке.
- С помощью кнопки меню (**МЕНЮ**) выберите функцию запекания (**запекать**) (рис. 27).
- Чтобы задать другое время приготовления, см. главу “Изменение времени приготовления”.
- Нажмите кнопку включения (**СТАРТ / ВЫКЛ**) для запуска процесса приготовления (рис. 10).
- Процесс запекания включает 2 этапа. Первый этап длится примерно 35 минут, после чего прозвучит 5 звуковых сигналов, означающих, что блюдо пора перевернуть.
- Чтобы начать второй этап, нажмите кнопку меню (**МЕНЮ**). Если после 5 звуковых сигналов никаких действий не последует, мультиварка перейдет в режим подогрева до окончания времени приготовления.

### Ручной

Для настройки температуры и времени приготовления можно воспользоваться ручным режимом.

- Положите ингредиенты во внутреннюю чашу.
- Выполните шаги 6 и 7 в главе “Подготовка к работе”. С помощью кнопки меню (**МЕНЮ**) выберите функцию ручного режима (**мультиповар**) (рис. 28).
  - Чтобы задать другое время и температуру, см. главу “Изменение времени и температуры приготовления”.

- Нажмите кнопку включения (**СТАРТ / ВЫКЛ**) для запуска процесса приготовления (рис. 10).

- По окончании приготовления прозвучит 4 звуковых сигнала, индикатор выбранной функции погаснет.
- Мультиварка автоматически перейдет в режим подогрева.
  - Загорится индикатор режима подогрева (**ПОДОГРЕВ**) (рис. 11).

<b>Примечание</b>
<ul style="list-style-type: none"><li>Во время приготовления еды при температуре ниже 70 °С следует выключать режим подогрева перед началом приготовления.</li> <li>В ручном режиме (<b>мультиповар</b>) при выборе температуры выше 130 °С верхняя крышка во время приготовления должна быть открыта.</li></ul>

#### Режим подогрева

В мультиварке предусмотрена функция удобного управления режимом подогрева.

- Если после выбора функции приготовления с помощью кнопки меню (**МЕНЮ**) нажать кнопку включения (**СТАРТ / ВЫКЛ**), загорится индикатор режима подогрева. После окончания приготовления мультиварка перейдет в режим подогрева.
- Если после выбора функции приготовления с помощью кнопки меню (**МЕНЮ**) сначала нажать кнопку режима подогрева, а затем кнопку включения (**СТАРТ / ВЫКЛ**), индикатор режима подогрева не загорится. По окончании приготовления мультиварка перейдет в режим ожидания.

<b>Примечание</b>
<ul style="list-style-type: none"><li>Для перехода в режим подогрева из режима ожидания нажмите кнопку режима подогрева (<b>ПОДОГРЕВ</b>).</li> <li>Для перехода в режим ожидания из режима подогрева нажмите кнопку режима подогрева (<b>ПОДОГРЕВ</b>).</li></ul>

## Изменение времени и температуры приготовления

Время приготовления можно изменить для всех режимов, кроме режима приготовления плова, риса/круп, запекания. Температуру приготовления можно изменить для режима выпекания и ручных режимов. Допустимые значения времени и температуры см. в таблице “Обзор функций”. После выбора функции приготовления с помощью кнопки меню на дисплее отобразится заданное по умолчанию время.

- Чтобы выбрать другое время приготовления, нажмите кнопку выбора времени приготовления (**ВРЕМЯ ПРИГОТОВЛЕНИЯ**) (рис. 29). На дисплее начнет мигать время приготовления, установленное по умолчанию.
- С помощью кнопки увеличения (+) или уменьшения (-) выберите значение часа (рис. 30).
- Здав значение часа, подождите несколько секунд — значение будет подтверждено, затем начнет мигать значение минут.
- С помощью кнопки увеличения (+) или уменьшения (-) выберите значение минут.
- Чтобы установить другую температуру приготовления, нажмите кнопку нагрева (**ТЕМП.**) (рис. 31), на дисплее начнет мигать значение температуры, установленное по умолчанию.
- С помощью кнопки увеличения (+) или уменьшения значения (-) выберите температуру приготовления (рис. 32).

## Функция отсрочки старта для включения в заданное время

Отсрочку старта можно установить для всех режимов приготовления, кроме разогрева, выпекания и жарки.

- Следуйте шагам 6 и 7 в главе “Подготовка к работе”.
- С помощью кнопки меню (**МЕНЮ**) выберите функцию приготовления.
- Нажмите кнопку отсрочки старта (**ОТСРОЧКА**), и на дисплее начнет мигать индикация значения времени, установленного по умолчанию (рис. 33).
- С помощью кнопюк увеличения (+) и уменьшения значения (-) выберите необходимое время отсрочки старта.
- Нажмите кнопку включения (**СТАРТ / ВЫКЛ**), чтобы подтвердить заданное время отсрочки (рис. 10).
- По истечении установленного времени приготовления будет завершено. Прозвучит 4 звуковых сигнала, индикатор выбранной функции погаснет.
- Мультиварка автоматически перейдет в режим подогрева.
  - Загорится индикатор режима подогрева (**ПОДОГРЕВ**) (рис. 11).

<b>Примечание</b>
<ul style="list-style-type: none"><li>Функция отсрчки старта недоступна в режиме выпекания (<b>печь</b>), жарки (<b>жарить</b>) и разогрева (<b>разогреть</b>).</li> <li>Кнопка отсрочки старта не работает в режиме ожидания.</li></ul>

## 5 Очистка и уход

<b>Примечание</b>
<ul style="list-style-type: none"><li>Перед тем как приступать к очистке, отключите мультиварку от сети.</li> <li>Перед началом очистки дождитесь, пока мультиварка остынет.</li></ul>

#### Уход за внутренними поверхностями

Внутренняя поверхность верхней крышки и корпуса.

- Протрите слегка влажной тканью.
- Обязательно удалите все приставшие остатки пищи.

Нагревательный элемент.

- Протрите слегка влажной тканью.
- Удалите остатки пищи слегка влажной тканью.

####