
Digital Still Camera / Instruction Manual GB

Цифровой фотоаппарат / Инструкция по эксплуатации RU

Цифровий фотоапарат / Посібник з експлуатації UA

McGrp.Ru

Cyber-shot



MEMORY STICK™

LITHIUM ION



CLASS 10

AVCHD

Progressive

HDMI™

FOR THE FULL EXPERIENCE

Learning more about the camera (“Cyber-shot User Guide”)



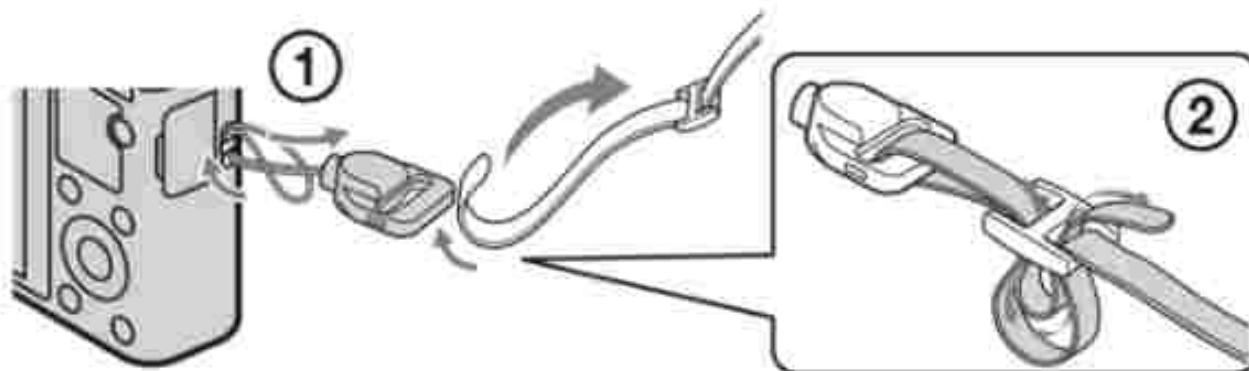
“Cyber-shot User Guide” is an on-line manual. Refer to it for in-depth instructions on the many functions of the camera.

- ① Access the Sony support page.
<http://www.sony.net/SonyInfo/Support/>
- ② Select your country or region.
- ③ Search for the model name of your camera within the support page.
 - Check the model name on the bottom of your camera.

Checking the supplied items

The number in parentheses indicates the number of pieces.

- Camera (1)
- Rechargeable battery pack NP-BX1 (1)
- Micro USB cable (1)
- AC Adaptor AC-UD10/UD11 (1)
- Power cord (mains lead) (not supplied in the USA and Canada) (1)
- Wrist strap (1)
- Shoulder strap adapter (2)
(Shoulder strap adapters are used to attach the shoulder strap (sold separately), as illustrated.)



- Instruction Manual (this manual) (1)

Owner's Record

The model and serial numbers are located on the bottom. Record the serial number in the space provided below. Refer to these numbers whenever you call your Sony dealer regarding this product.

Model No. DSC-RX100

Serial No. _____

Model No. AC-UD10/AC-UD11

Serial No. _____

GB

WARNING

To reduce fire or shock hazard, do not expose the unit to rain or moisture.

IMPORTANT SAFETY INSTRUCTIONS -SAVE THESE INSTRUCTIONS

DANGER

TO REDUCE THE RISK OF FIRE OR ELECTRIC SHOCK, CAREFULLY FOLLOW THESE INSTRUCTIONS

If the shape of the plug does not fit the power outlet, use an attachment plug adaptor of the proper configuration for the power outlet.

CAUTION

Battery pack

If the battery pack is mishandled, the battery pack can burst, cause a fire or even chemical burns. Observe the following cautions.

- Do not disassemble.
- Do not crush and do not expose the battery pack to any shock or force such as hammering, dropping or stepping on it.
- Do not short circuit and do not allow metal objects to come into contact with the battery terminals.
- Do not expose to high temperature above 60°C (140°F) such as in direct sunlight or in a car parked in the sun.
- Do not incinerate or dispose of in fire.
- Do not handle damaged or leaking lithium ion batteries.

- Be sure to charge the battery pack using a genuine Sony battery charger or a device that can charge the battery pack.
- Keep the battery pack out of the reach of small children.
- Keep the battery pack dry.
- Replace only with the same or equivalent type recommended by Sony.
- Dispose of used battery packs promptly as described in the instructions.

AC Adaptor

Connect the AC Adaptor to the nearest wall outlet (wall socket).

If some trouble occurs while using the AC Adaptor, immediately shut off the power by disconnecting the plug from the wall outlet (wall socket).

The power cord (mains lead), if supplied, is designed specifically for use with this camera only, and should not be used with other electrical equipment.

For Customers in the U.S.A. and Canada

RECYCLING LITHIUM-ION BATTERIES

Lithium-Ion batteries are recyclable.

You can help preserve our environment by returning your used rechargeable batteries to the collection and recycling location nearest you.



For more information regarding recycling of rechargeable batteries, call toll free

1-800-822-8837, or visit <http://www.rbrc.org/>

Caution: Do not handle damaged or leaking Lithium-Ion batteries.

Battery pack

This device complies with Part 15 of the FCC Rules. Operation is subject to the following two conditions:

(1) This device may not cause harmful interference, and (2) this device must accept any interference received, including interference that may cause undesired operation.

This Class B digital apparatus complies with Canadian ICES-003.

For Customers in the U.S.A.

UL is an internationally recognized safety organization.
The UL Mark on the product means it has been UL Listed.

If you have any questions about this product, you may call:

Sony Customer Information Center
1-800-222-SONY (7669).

The number below is for the FCC related matters only.

GB

Regulatory Information

Declaration of Conformity

Trade Name: SONY
Model No.: DSC-RX100
Responsible Party: Sony Electronics Inc.
Address: 16530 Via Esprillo,
San Diego, CA 92127 U.S.A.
Telephone No.: 858-942-2230

This device complies with Part 15 of the FCC Rules. Operation is subject to the following two conditions: (1) This device may not cause harmful interference, and (2) this device must accept any interference received, including interference that may cause undesired operation.

McGrp.Ru

CAUTION

You are cautioned that any changes or modifications not expressly approved in this manual could void your authority to operate this equipment.

Note:

This equipment has been tested and found to comply with the limits for a Class B digital device, pursuant to Part 15 of the FCC Rules.

These limits are designed to provide reasonable protection against harmful interference in a residential installation. This equipment generates, uses, and can radiate radio frequency energy and, if not installed and used in accordance with the instructions, may cause harmful interference to radio communications. However, there is no guarantee that interference will not occur in a particular installation. If this equipment does cause harmful interference to radio or television reception, which can be determined by turning the equipment off and on, the user is encouraged to try to correct the interference by one or more of the following measures:

- Reorient or relocate the receiving antenna.
- Increase the separation between the equipment and receiver.
- Connect the equipment into an outlet on a circuit different from that to which the receiver is connected.
- Consult the dealer or an experienced radio/TV technician for help.

The supplied interface cable must be used with the equipment in order to comply with the limits for a digital device pursuant to Subpart B of Part 15 of FCC Rules.

GB
5

For Customers in Europe

Notice for the customers in the countries applying EU Directives

The manufacturer of this product is Sony Corporation, 1-7-1 Konan Minato-ku Tokyo, 108-0075 Japan. The Authorized Representative for EMC and product safety is Sony Deutschland GmbH, Hedelfinger Strasse 61, 70327 Stuttgart, Germany. For any service or guarantee matters please refer to the addresses given in separate service or guarantee documents.

This product has been tested and found compliant with the limits set out in the EMC Directive for using connection cables shorter than 3 meters (9.8 feet).

Attention

The electromagnetic fields at the specific frequencies may influence the picture and sound of this unit.

Notice

If static electricity or electromagnetism causes data transfer to discontinue midway (fail), restart the application or disconnect and connect the communication cable (USB, etc.) again.

Disposal of Old Electrical & Electronic Equipment (Applicable in the European Union and other European countries with separate collection systems)



MCGP.RU
This symbol on the product or on its packaging indicates that this product shall not be treated as household waste. Instead it shall be handed over to the applicable collection point for the recycling of electrical and electronic equipment. By ensuring this product is disposed of correctly, you will help prevent potential negative consequences for the environment and human health, which could otherwise be caused by inappropriate waste handling of this product. The recycling of materials will help to conserve natural resources. For more detailed information about recycling of this product,

please contact your local Civic Office, your household waste disposal service or the shop where you purchased the product.

Disposal of waste batteries (applicable in the European Union and other European countries with separate collection systems)



This symbol on the battery or on the packaging indicates that the battery provided with this product shall not be treated as household waste. On certain batteries this symbol might be used in combination with a chemical symbol. The chemical symbols for mercury (Hg) or lead (Pb) are added if the battery contains more than 0.0005% mercury or 0.004% lead. By ensuring these batteries are disposed of correctly, you will help prevent

potentially negative consequences for the environment and human health which could otherwise be caused by inappropriate waste handling of the battery. The recycling of the materials will help to conserve natural resources.



In case of products that for safety, performance or data integrity reasons require a permanent connection with an incorporated battery, this battery should be replaced by qualified service staff only. To ensure that the battery will be treated properly, hand over the product at end-of-life to the applicable collection point for the recycling of electrical and electronic equipment.

For all other batteries, please view the section on how to remove the battery from the product safely.

Hand the battery over to the applicable collection point for the recycling of waste batteries. For more detailed information about recycling of this product or battery, please contact your local Civic Office, your household waste disposal service or the shop where you purchased the product.

Notice for customers in the United Kingdom

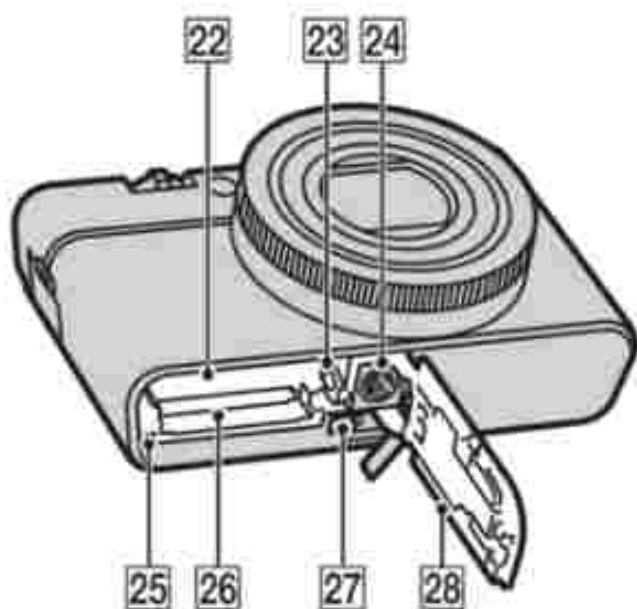
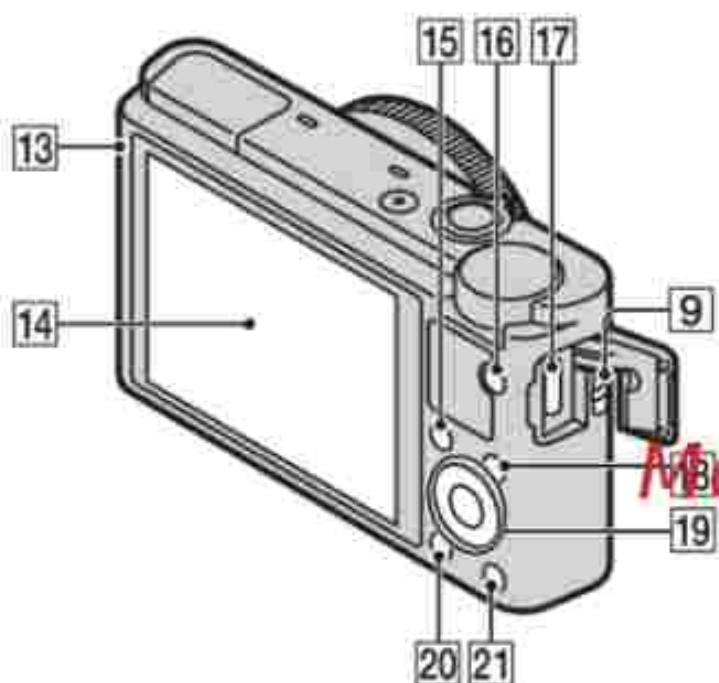
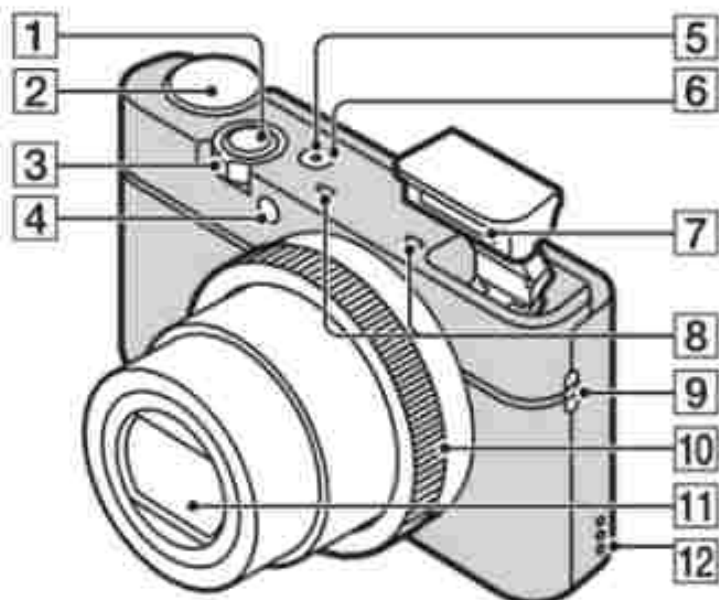
A moulded plug complying with BS 1363 is fitted to this equipment for your safety and convenience.

Should the fuse in the plug supplied need to be replaced, a fuse of the same rating as the supplied one and approved by ASTA or BSI to BS 1362, (i.e., marked with an  or  mark) must be used.


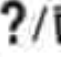
If the plug supplied with this equipment has a detachable fuse cover, be sure to attach the fuse cover after you change the fuse. Never use the plug without the fuse cover. If you should lose the fuse cover, please contact your nearest Sony service station.

GB

Identifying parts



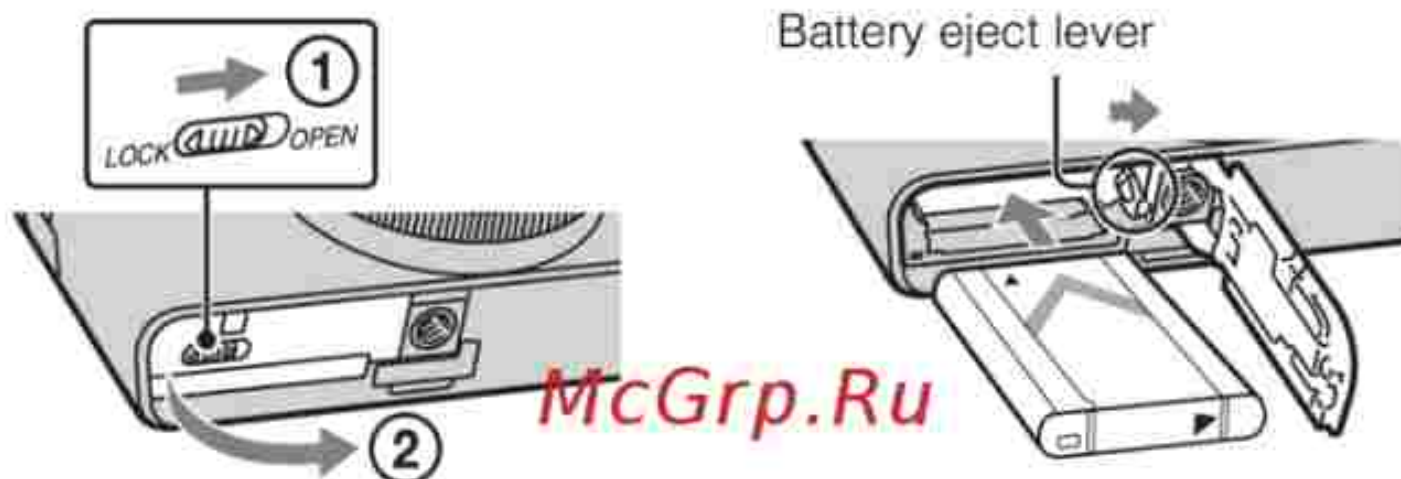
- 1 Shutter button
- 2 Mode dial
 - i (Intelligent Auto)/
 - i+ (Superior Auto)/
 - P (Program Auto)/
 - A (Aperture Priority)/
 - S (Shutter Priority)/
 - M (Manual Exposure)/
 - MR (Memory recall)/
 - Movie (Movie)/ Sweep Shooting/SCN (Scene Selection)
- 3 For shooting: W/T (zoom) lever
For viewing: Index/Playback zoom lever
- 4 Self-timer lamp/Smile Shutter lamp/AF illuminator
- 5 Power/Charge lamp
- 6 ON/OFF (Power) button
- 7 Flash
 - Do not cover the flash with your fingers.
 - When using the flash, the flash pops up automatically.
- 8 Microphone
- 9 Hook for strap
- 10 Control Ring
- 11 Lens
- 12 Speaker
- 13 Light sensor
- 14 LCD screen
- 15 Fn (Function) button
- 16 MOVIE (Movie) button
- 17 Micro USB connector
- 18 MENU button
- 19 Control wheel

- 20  (Playback) button
- 21  (In-Camera Guide/Delete) button
- 22 Battery insertion slot
- 23 Battery eject lever
- 24 Tripod socket hole
 - Use a tripod with a screw less than 5.5 mm (7/32 inches) long. Otherwise, you cannot firmly secure the camera, and damage to the camera may occur.

- 25 Access lamp
- 26 Memory card slot
- 27 HDMI micro jack
- 28 Battery/Memory card cover

GB

Inserting the battery pack

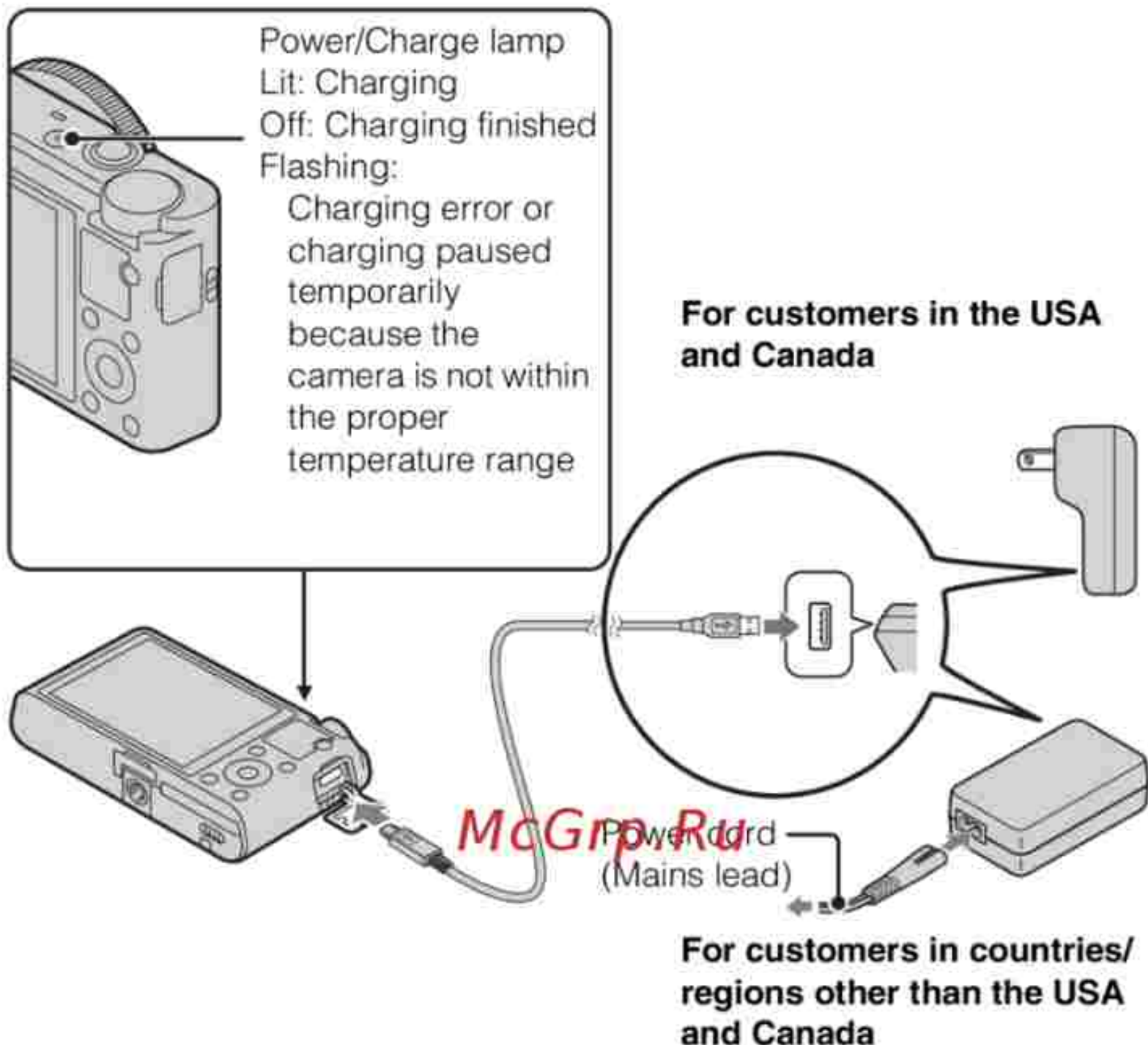


1 Open the cover.

2 Insert the battery pack.

- While pressing the battery eject lever, insert the battery pack as illustrated. Make sure that the battery eject lever locks after insertion.
- Closing the cover with the battery inserted incorrectly may damage the camera.

Charging the battery pack



- 1 Connect the camera to the AC Adaptor (supplied), using the micro USB cable (supplied).
- 2 Connect the AC Adaptor to the wall outlet (wall socket). The Power/Charge lamp lights orange, and charging starts.
 - Turn off the camera while charging the battery.
 - You can charge the battery pack even when it is partially charged.
 - When the Power/Charge lamp flashes and charging is not finished, remove and re-insert the battery pack.

Notes

- If the Power/Charge lamp on the camera flashes when the AC Adaptor is connected to the wall outlet (wall socket), this indicates that charging is temporarily stopped because the temperature is outside the recommended range. When the temperature gets back within the appropriate range, the charging resumes. We recommend charging the battery pack in an ambient temperature of between 10°C to 30°C (50°F to 86°F).
- The battery pack may not be effectively charged if the terminal section of the battery is dirty. In this case, wipe any dust off lightly using a soft cloth or a cotton swab to clean the terminal section of the battery. GB
- Connect the AC Adaptor (supplied) to the nearest wall outlet (wall socket). If malfunctions occur while using the AC Adaptor, disconnect the plug from the wall outlet (wall socket) immediately to disconnect from the power source.
- When charging is finished, disconnect the AC Adaptor from the wall outlet (wall socket).
- Be sure to use only genuine Sony brand battery packs, micro USB cable (supplied) and AC Adaptor (supplied).

■ Charging time (Full charge)

The charging time is approximately 155 min. using the AC Adaptor (supplied).

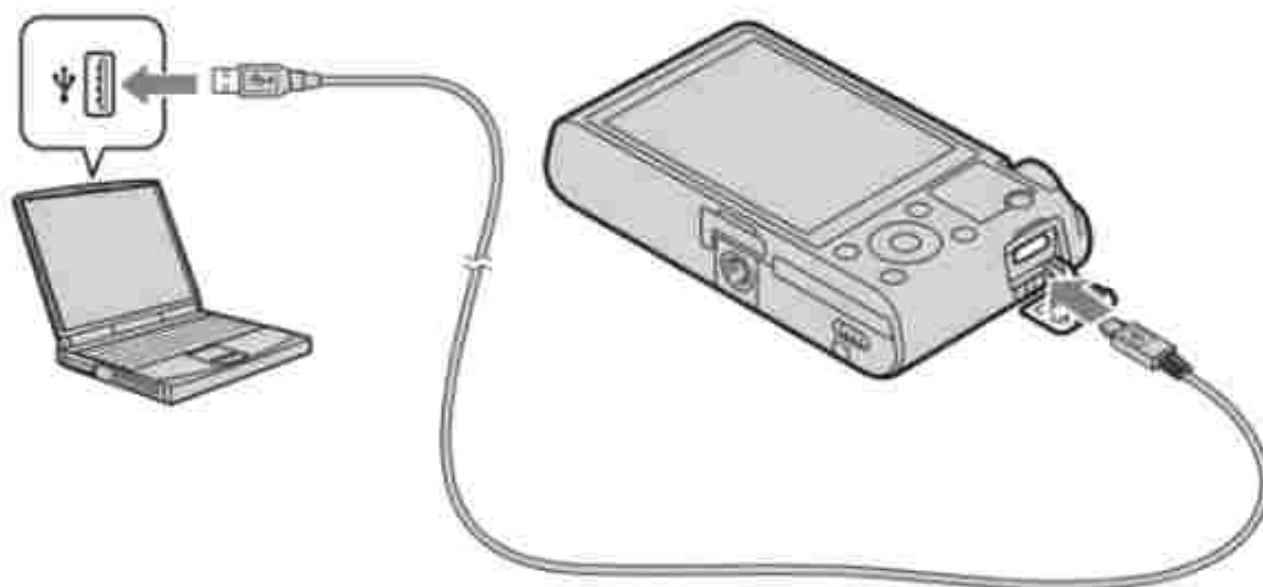
McGrp.Ru

Notes

- The above charging time applies when charging a fully depleted battery pack at a temperature of 25°C (77°F). Charging may take longer depending on conditions of use and circumstances.

■ Charging by connecting to a computer

The battery pack can be charged by connecting the camera to a computer using a micro USB cable.



Notes

- Note the following points when charging via a computer:
 - If the camera is connected to a laptop computer that is not connected to a power source, the laptop battery level decreases. Do not charge for an extended period of time.
 - Do not turn on/off or restart the computer, or wake the computer to resume from sleep mode when a USB connection has been established between the computer and the camera. The camera may cause a malfunction. Before turning on/off, or restarting the computer or waking the computer from sleep mode, disconnect the camera and the computer.
 - No guarantees are made for charging using a custom-built computer or a modified computer.

■ Battery life and number of images that can be recorded and played back

	Battery life	Number of images
Shooting (still images)	Approx. 165 min.	Approx. 330 images
Viewing (still images)	Approx. 250 min.	Approx. 5000 images
Shooting (movies)	Approx. 80 min.	—

GB

Notes

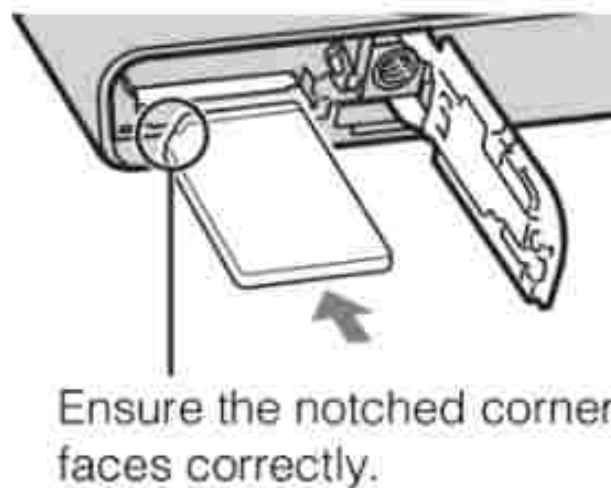
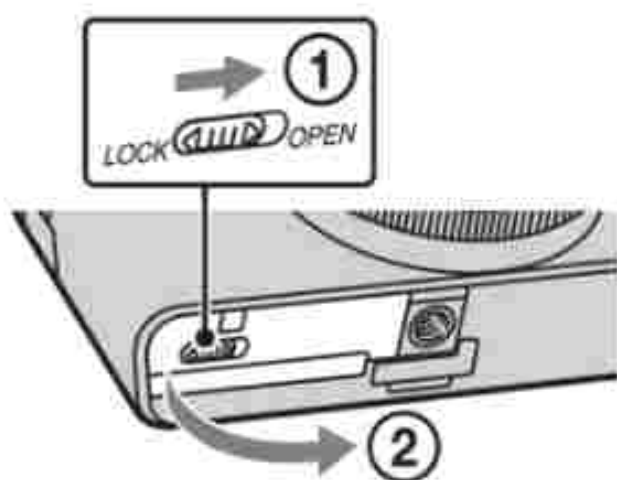
- The above number of images applies when the battery pack is fully charged. The number of images may decrease depending on the conditions of use.
- The number of images that can be recorded is for shooting under the following conditions:
 - Using Sony “Memory Stick PRO Duo” (Mark2) media (sold separately)
 - The battery pack is used at an ambient temperature of 25°C (77°F).
- The number for “Shooting (still images)” is based on the CIPA standard, and is for shooting under the following conditions:
(CIPA: Camera & Imaging Products Association)
 - DISP is set to [Display All Info].
 - Shooting once every 30 seconds.
 - The zoom is switched alternately between the W and T ends.
 - The flash strobos once every two times.
 - The power turns on and off once every ten times.
- The battery life for movies applies shooting under the following conditions:
 - Record Setting: 60i 17M(FH)/50i 17M(FH)
 - When continuous shooting ends because of set limits (29 minutes), press the MOVIE (Movie) button again to continue shooting. Shooting functions such as zoom will not be available.

■ Supplying power

The camera can be supplied with power from the wall outlet (wall socket) by connecting to the AC Adaptor (supplied), using the micro USB cable (supplied). This way, there is no need to worry about draining the battery when shooting over extended periods or when the camera is connected to a TV or computer.

Shooting and playback are possible without a battery pack in the camera.

Inserting a memory card (sold separately)



-
- 1 Open the cover. *McGrp.Ru*
 - 2 Insert the memory card (sold separately).
 - With the notched corner facing as illustrated, insert the memory card until it clicks into place.
 - 3 Close the cover.
-

■ Memory cards that can be used

	Memory card	For still images	For movies
A	Memory Stick PRO Duo	✓	✓ (Mark2 only)
	Memory Stick PRO-HG Duo	✓	✓
	Memory Stick Duo	✓	—
B	Memory Stick Micro (M2)	✓	✓ (Mark2 only)
C	SD memory card	✓	✓ (Class 4 or faster)
	SDHC memory card	✓	✓ (Class 4 or faster)
	SDXC memory card	✓	✓ (Class 4 or faster)
D	microSD memory card	✓	✓ (Class 4 or faster)
	microSDHC memory card	✓	✓ (Class 4 or faster)

GB

- In this manual, the products in the table are collectively referred to as follows:

- A:** “Memory Stick Duo” media
- B:** “Memory Stick Micro” media
- C:** SD card
- D:** microSD memory card

Notes

- When using “Memory Stick Micro” media or microSD memory cards with this camera, make sure to use with the appropriate adaptor.

■ To remove the memory card/battery pack

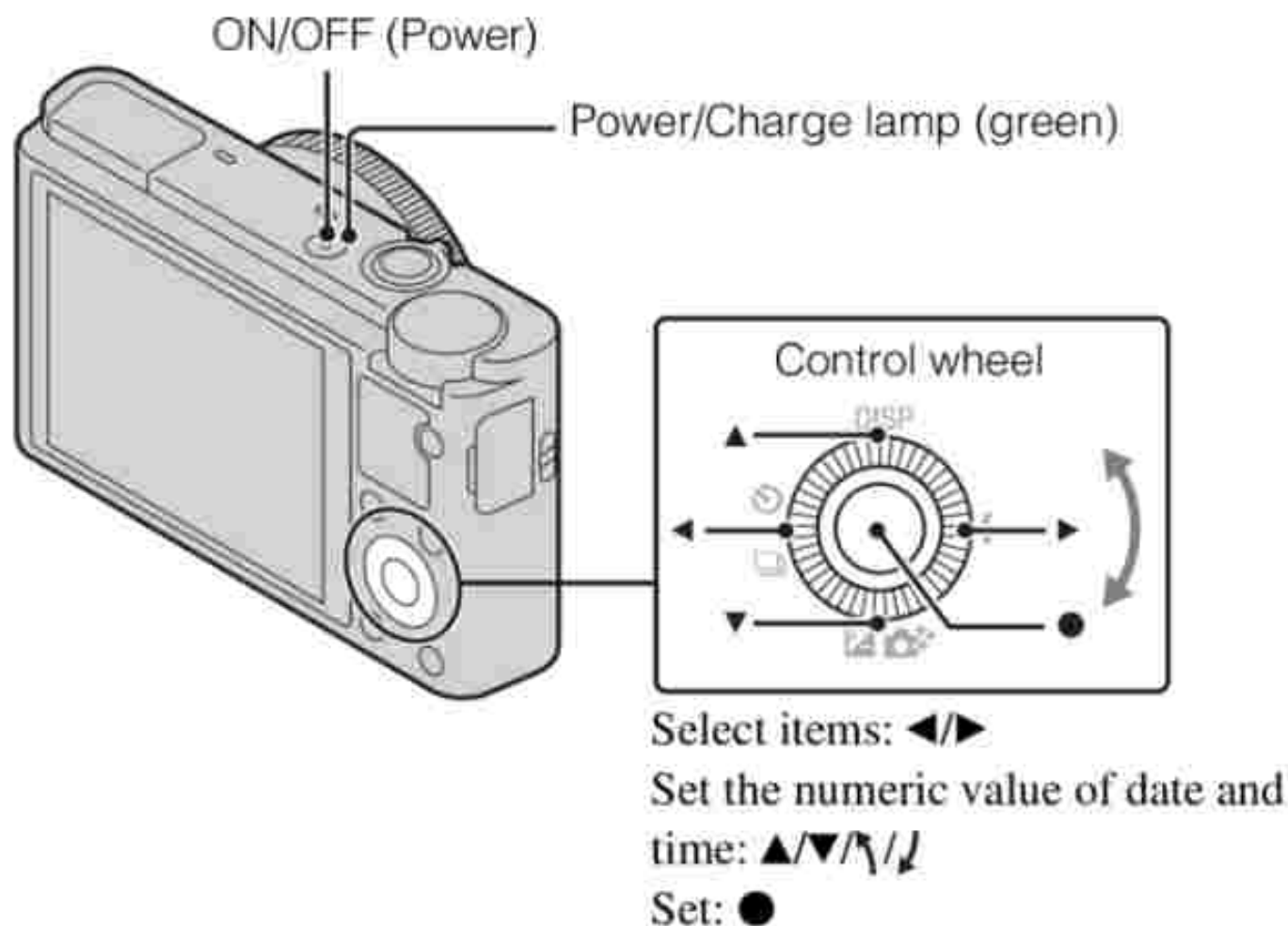
Memory card: Push the memory card in once to eject the memory card.

Battery pack: Slide the battery eject lever. Be sure not to drop the battery pack.

Notes

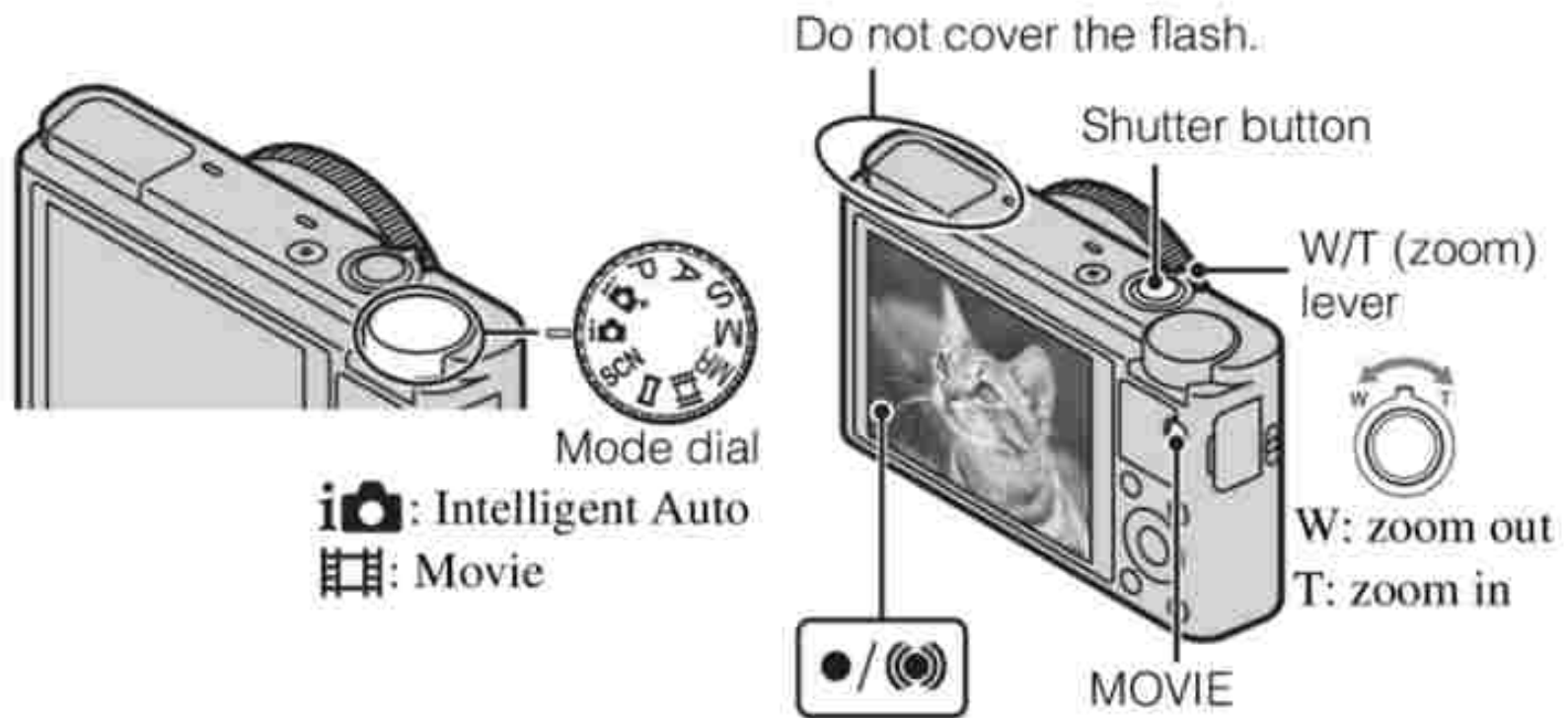
- Never remove the memory card/battery pack when the access lamp (page 8) is lit. This may cause damage to data in the memory card.

Setting the clock



- 1** Press the ON/OFF (Power) button.
Date & Time setting is displayed when you turn on the camera for the first time.
 - It may take time for the power to turn on and allow operation.
- 2** Check that [Enter] is selected on the screen, then press \bullet on the control wheel.
- 3** Select a desired geographic location by following the on-screen instructions, then press \bullet .
- 4** Set [Daylight Svg:], date and [Date Format:], then press \bullet .
 - Midnight is indicated as 12:00 AM, and noon as 12:00 PM.
- 5** Check that [Enter] is selected, then press \bullet .

Shooting still images/movies



Shooting still images

- 1 Press the shutter button halfway down to focus.
When the image is in focus, a beep sounds and the ● or (●) indicator lights.
- 2 Press the shutter button fully down to shoot an image.

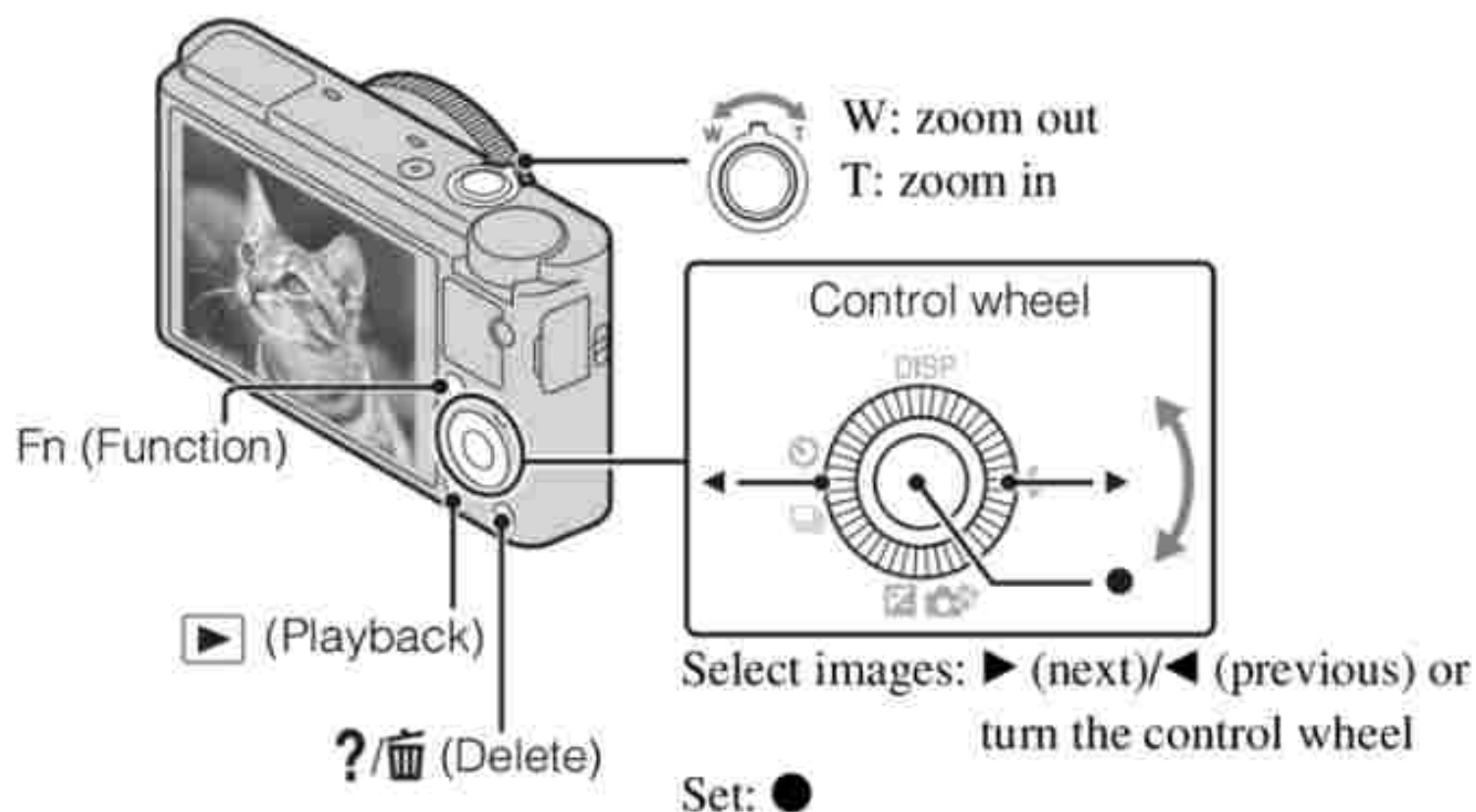
Shooting movies

- 1 Press the MOVIE (Movie) button to start recording.
 - Use the W/T (zoom) lever to change the zoom scale.
 - Press the shutter button to shoot still images while continuing to record the movie.
- 2 Press the MOVIE button again to stop recording.

Notes

- Do not pull up the flash manually. This may cause a malfunction.
- When using the zoom function while shooting a movie, the sound of the camera operating will be recorded. The sound of the MOVIE button operating may also be recorded when movie recording is finished.
- Continuous shooting is possible for approximately 29 minutes at one time at the camera's default settings and when the temperature is approximately 25°C (77°F). When movie recording is finished, you can restart recording by pressing the MOVIE button again. Recording may stop to protect the camera depending on the ambient temperature.

Viewing images



1 Press the ► (Playback) button.

- You can switch the display mode between still images and movies by selecting MENU → ► 1 → [Still/Movie Select].

McGrp.Ru

■ Selecting next/previous image

Select an image by pressing ► (next)/◄ (previous) on the control wheel or by turning the control wheel. Press ● in the center of the control wheel to view movies.

■ Deleting an image

- ① Press ?/🗑️ (Delete) button.
- ② Select [Delete] with ▲ on the control wheel, then press ●.

■ Rotating an image

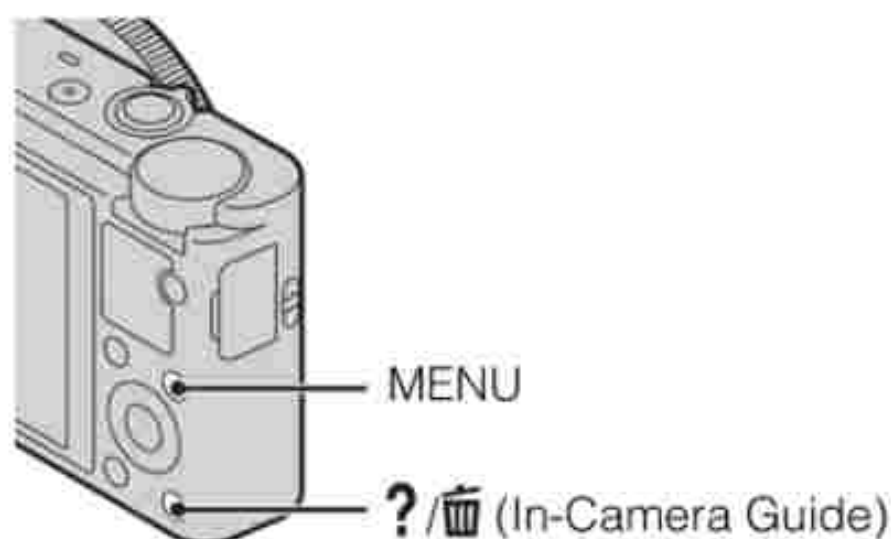
Press the Fn (Function) button.

■ Returning to shooting images

Press the shutter button halfway down.

Viewing the Guide

This camera is equipped with a built-in instruction guide.



GB

In-Camera Guide

The camera displays explanations for MENU items and the setting values.

- 1 Press the MENU button.
- 2 Select the desired MENU item, then press ?/In-Camera Guide button.

McGrp.Ru

Shooting Tip

The camera displays shooting tips for the shooting mode selected.

- 1 Press ?/In-Camera Guide button in shooting mode.
- 2 Select the desired shooting tip, then press ● on the control wheel.

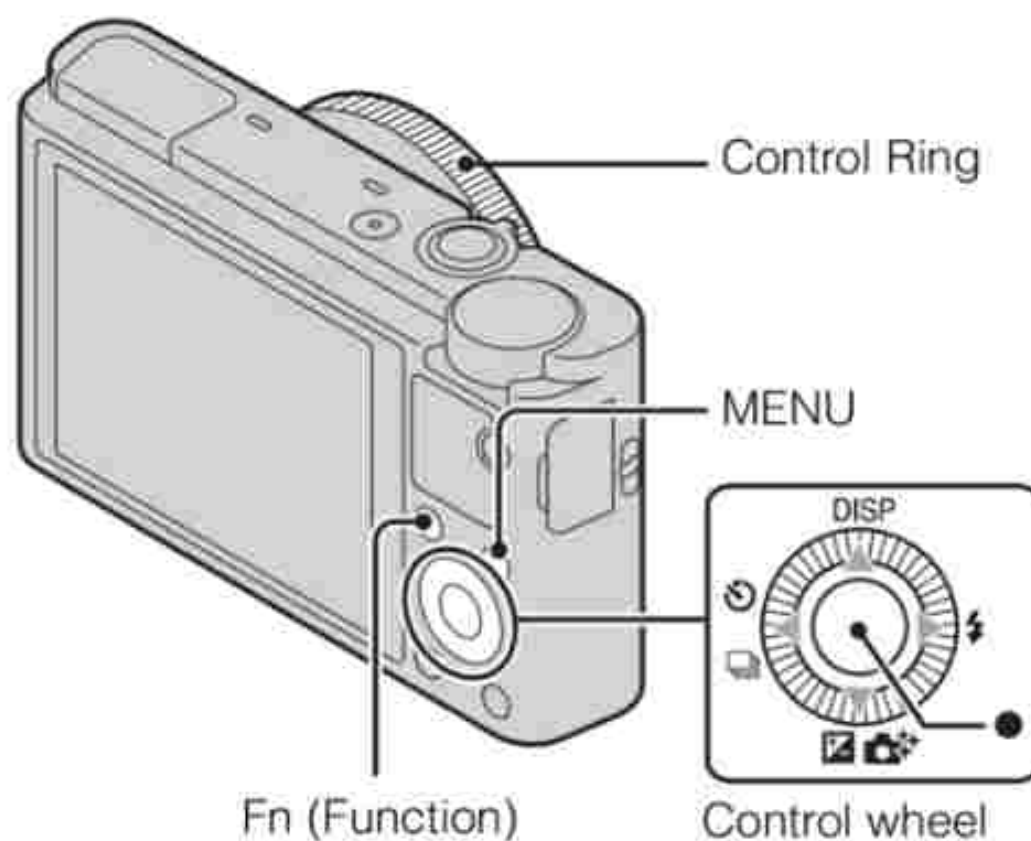
The shooting tip is displayed.

- You can scroll the screen using ▲/▼ and change shooting tips using ◀/▶.

GB

Introduction of other functions

Other functions can be operated using the control wheel, MENU button, etc.



■ Control wheel

DISP (Display Contents): Allows you to change the screen display.

⚡ (Flash Mode): Allows you to select a flash mode for still images.

📷/📷+ (Exposure Comp./Photo Creativity): Allows you to adjust image brightness. Allows you to change [Bkground Defocus], [Brightness], [Color], [Vividness] and [Picture Effect] when shooting mode is set to [Intelligent Auto] or [Superior Auto].

🕒/📷 (Drive Mode): Allows you to use the self-timer and burst shooting mode.

● (Tracking focus): The camera tracks the subject and adjusts focus automatically even when the subject is moving.

■ Fn (Function) button

Allows you to register seven functions and recall those functions when shooting.

- ① Press the Fn (Function) button.
- ② Select the desired function using the Fn (Function) button or ◀/▶ on the control wheel.
- ③ Select the setting value by turning the control wheel or Control Ring.

■ Control Ring

Your favorite functions can be assigned to the Control Ring; when shooting, established settings can be changed just by turning the Control Ring.

■ Menu Items

📷 Still shooting menu

Image Size	Selects the size of still images.
Aspect Ratio	Selects the aspect ratio for still images.
Quality	Sets the image quality for still images.
Panorama: Size	Selects the size of panoramic images.
Panorama: Direction	Sets the shooting direction for panoramic images.
Drive Mode	Sets the drive mode, such as for continuous shooting.
Flash Mode	Sets the flash settings.
Focus Mode	Selects the focus method.
Autofocus Area	Selects the area of focus.
Soft Skin Effect	Sets the Soft Skin Effect and the effect level.
Smile/Face Detect.	Selects to detect faces and adjust various settings automatically. Sets to automatically release the shutter when a smile is detected.
Auto Port. Framing	Analyzes the scene when capturing a face and saves another image with a more impressive composition.
ISO	Adjusts the luminous sensitivity.
Metering Mode	Selects the metering mode that sets which part of the subject to measure to determine the exposure.

Flash Comp.	Adjusts the intensity of flash output.
White Balance	Adjusts color tones of an image.
DRO/Auto HDR	Compensates automatically for brightness and contrast.
Creative Style	Selects the desired image processing.
Picture Effect	Shoots still images with a texture unique to the selected effect.
Clear Image Zoom	Provides a higher-quality zoomed image than with Digital Zoom.
Digital Zoom	Provides zoomed images at higher magnification than with Clear Image Zoom.
Long Exposure NR	Sets noise reduction processing for shots with a shutter speed of 1/3 second or longer.
High ISO NR	Sets noise reduction processing for high-sensitivity shooting.
AF Illuminator	Sets the AF illuminator, which provides light for a dark scene to aid focusing.
SteadyShot	Sets SteadyShot.
Color Space	Changes the range of reproducible colors.
Shooting Tip List	Accesses all shooting tips.
Write Date	Sets whether to record a shooting date on the still image.
Scene Selection	Selects pre-set settings to match various scene conditions.
Memory recall	Selects settings you want to recall when the mode dial is set to [Memory recall].
Memory	Registers the desired modes or camera settings.

Movie shooting menu

File Format	Selects the movie file format.
Record Setting	Selects the size of the recorded movie frame.
Image Size(Dual Rec)	Sets the still image size shot when recording a movie.
SteadyShot	Sets SteadyShot.
Audio Recording	Sets whether to record audio when shooting a movie.
Wind Noise Reduct.	Reduces wind noise during movie recording.
Movie	Selects the exposure mode to suit your subject or effect.

GB

Custom menu

Red Eye Reduction	Reduces the red-eye phenomenon when using flash.
Grid Line	Sets a grid line display to enable alignment to a structural outline.
Auto Review	Displays the captured image after shooting. Sets auto review.
DISP Button(Monitor)	Sets the screen display modes that can be selected by pressing DISP on the control wheel.
Peaking Level	Enhances the outline of in-focus ranges with a specific color.
Peaking Color	Sets the color used for the peaking function.
Control Ring	Assigns the desired functions to the Control Ring.
Control Ring Display	Sets whether to display animation when operating the Control Ring.
Function Button	Customizes the functions displayed when the Fn (Function) button is pressed.
Func. of Center Button	Assigns the desired functions to the center button.
Func. of Left Button	Assigns the desired functions to the left button.
Func. of Right Button	Assigns the desired functions to the right button.

GB

MF Assist	Displays an enlarged image when focusing manually.
Focus Magnif. Time	Sets the length of time the image will be shown in an enlarged form.
Face Priority Tracking	Sets whether to track faces as a priority when tracking.
Face Registration	Registers or changes the person to be given priority in the focus.

▶ Playback menu

Still/Movie Select	Selects the display format for images.
Delete	Deletes an image.
Slide Show	Shows a slide show.
Image Index	Displays multiple images at the same time.
3D Viewing	Connects to a 3D compatible TV and allows you to view 3D images.
Protect	Protects the images.
Specify Printing	Adds a print order mark to a still image.
Picture Effect	Adds various textures to images.
Volume Settings	Adjusts the volume.
Playback Display	Sets how to play back an image recorded in portrait.

◀ Memory Card Tool menu

Format	Formats the memory card.
File Number	Sets the method used to assign file numbers to still images and movies.
Select REC Folder	Changes the selected folder for storing images.
New Folder	Creates a new folder for storing still images and movies (MP4).
Recover Image DB	Recovers the image database file and enables recording and playback.
Display Card Space	Displays the remaining recording time of movies and the recordable number of still images on the memory card.

⏴ Clock setup menu

Date/Time Setup	Sets date and time, and daylight savings.
Area Setting	Sets the location of use.

🔧 Setup menu

Menu start	Sets the default position of the cursor on the menu to the top item or the last-selected item.
Mode Dial Guide	Turns the mode dial guide (the explanation of each shooting mode) on or off.
LCD Brightness	Sets the screen brightness.
Power Saving Start Time	Sets the length of time until the camera turns off automatically.
HDMI Resolution	Sets the resolution when the camera is connected to an HDMI TV.
CTRL FOR HDMI	Operates the camera from a TV that supports "BRAVIA" Sync.
Upload Settings*	Sets the upload function of the camera when using an Eye-Fi card.
USB Connection	Sets the USB connection method.
USB LUN Setting	Sets the mode when the camera is connected to a computer using a USB connection.
USB Power Supply	Sets whether to supply power using a USB connection.
Audio signals	Sets the operating sound of the camera.
Version	Displays the camera software version.
Language	Selects the language.
Drop Sensor	Sets the [Drop Sensor] function.
Demo Mode	Sets demonstration playback of a movie to on or off.
Initialize	Restores settings to their defaults.

* Appears when an Eye-Fi card (sold separately) is inserted into the camera.

GB

Install “PlayMemories Home” (Windows)

The built-in software “PlayMemories Home” allows you to import still images and movies to your computer and use them.

You can shoot or play back images on this camera even if you do not install “PlayMemories Home”, however, “PlayMemories Home” is required to import AVCHD movies to your computer.

-
- 1 Connect the camera to a computer.
 - 2 Windows 7: [Computer] → camera icon → media icon → Double-click [PMHOME.EXE]
Windows XP/Vista: [Computer] (in Windows XP, [My Computer]) → [PMHOME] → Double-click [PMHOME.EXE]
 - 3 Follow the instructions on the screen to complete the installation.
-

Notes

McGrp.Ru

- “PlayMemories Home” is not compatible to Mac OS. If you play back images on a Mac, use the applications that are installed on your Mac.
For details, visit the following URL.
<http://www.sony.co.jp/imsoft/Mac/>

■ Features of “PlayMemories Home”

Below are examples of the functions available when you use “PlayMemories Home”. To take advantage of the various “PlayMemories Home” functions, connect to the Internet and install the “Expanded Feature”.

- You can import images shot with the camera to a computer and display them.
- You can display images stored on a computer by shooting date in a calendar display.
- You can correct (Red Eye Correction, etc.) still images, print the images, send images by e-mail, and change the shooting date and time.
- You can save and print images with the date.
- You can create a disc from AVCHD movies imported to a computer.
(Expanded Feature)

Install “Image Data Converter”

“Image Data Converter” allows you to develop RAW images.

- 1 Download the software from the following URL and install it on your computer.

Windows: <http://www.sony.co.jp/imsoft/Win/>

Mac: <http://www.sony.co.jp/imsoft/Mac/>

GB

■ Features of “Image Data Converter”

Below are examples of the functions available when you use “Image Data Converter”.

- You can edit RAW images using multiple correction functions, such as tone curve or sharpness.
- You can adjust images using white balance, aperture and Creative Style, etc.
- You can save displayed and edited still images to your computer.

There are two ways to save RAW images: save and leave as RAW data or save in a general-purpose file format.

- You can display and compare the RAW images/JPEG images that are shot with this camera.
- You can rank images in five levels.
- You can set the color label.

For other details, see Help under “Image Data Converter”.

Click [Start] → [All Programs] → [Image Data Converter] → [Help] → [Image Data Converter Ver.4].

“Image Data Converter” support page (English only)

<http://www.sony.co.jp/ids-se/>

Number of still images and recordable time of movies

The number of still images and recordable time may vary depending on the shooting conditions and the memory card.

■ Still images

Image Size: L: 20M

When [Aspect Ratio] is set to [3:2]*

Quality \ Capacity	2 GB
Standard	295 images
Fine	170 images
RAW & JPEG	58 images
RAW	88 images

* When the [Aspect Ratio] is set to other than [3:2], you can record more pictures than shown above. (Except when [Quality] is set to [RAW].)

McGrp.Ru

■ Movies

The table below shows the approximate maximum recording times. These are the total times for all movie files. Continuous shooting is possible for approximately 29 minutes. The maximum size of an MP4-format movie file is up to approximately 2 GB.

(h (hour), m (minute))

Record Setting \ Capacity	2 GB
60i 24M(FX)/50i 24M(FX)	10 m
60i 17M(FH)/50i 17M(FH)	10 m
60p 28M(PS)/50p 28M(PS)	9 m
1440×1080 12M	15 m
VGA 3M	1 h 10 m

- The recordable time of movies varies because the camera is equipped with VBR (Variable Bit Rate), which automatically adjusts image quality depending on the shooting scene. When you record a fast-moving subject, the image is clearer but the recordable time is shorter because more memory is required for recording. The recordable time also varies depending on the shooting conditions, the subject or the image quality/size settings.

Notes on using the camera

GB

Functions built into this camera

- This manual describes 1080 60i-compatible devices and 1080 50i-compatible devices.
To check whether your camera is a 1080 60i-compatible device or 1080 50i-compatible device, check for the following marks on the bottom of the camera.
1080 60i-compatible device: 60i
1080 50i-compatible device: 50i
- This camera is compatible with 1080 60p or 50p-format movies. Unlike standard recording modes up to now, which record in an interlacing method, this camera records using a progressive method. This increases the resolution, and provides a smoother, more realistic image.

On use and care

Avoid rough handling, disassembling, modifying, physical shock, or impact such as hammering, dropping, or stepping on the product. Be particularly careful of the lens.

Notes on recording/playback

- Before you start recording, make a trial recording to make sure that the camera is working correctly.
- The camera is neither dust-proof, nor splash-proof, nor water-proof.
- Avoid exposing the camera to water. If water enters inside the camera, a malfunction may occur. In some cases, the camera cannot be repaired.
- Do not aim the camera at the sun or other bright light. It may cause the malfunction of the camera.
- If moisture condensation occurs, remove it before using the camera.
- Do not shake or strike the camera. It may cause a malfunction and you may not be able to record images. Furthermore, the recording media may become unusable or image data may be damaged.

Do not use/store the camera in the following places

- In an extremely hot, cold or humid place
In places such as in a car parked in the sun, the camera body may become deformed and this may cause a malfunction.
- Storing under direct sunlight or near a heater
The camera body may become discolored or deformed, and this may cause a malfunction.
- In a location subject to rocking vibration
- Near a location that generates strong radio waves, emits radiation or is strongly magnetic place. Otherwise, the camera may not properly record or play back images.
- In sandy or dusty places
Be careful not to let sand or dust get into the camera. This may cause the camera to malfunction, and in some cases this malfunction cannot be repaired.

On carrying

Do not sit down in a chair or other place with the camera in the back pocket of your trousers or skirt, as this may cause malfunction or damage the camera.

Carl Zeiss lens

The camera is equipped with a Carl Zeiss lens which is capable of reproducing sharp images with excellent contrast. The lens for the camera has been produced under a quality assurance system certified by Carl Zeiss in accordance with the quality standards of Carl Zeiss in Germany.

Notes on the screen

The screen is manufactured using extremely high-precision technology so over 99.99% of the pixels are operational for effective use. However, some tiny black and/or bright dots (white, red, blue or green) may appear on the screen. These dots are a normal result of the manufacturing process, and do not affect the recording.

Notes on the flash

- Do not carry the camera by the flash unit, or use excessive strength on it.
- If water, dust or sand get into the open flash unit, it may cause a malfunction.

On camera's temperature

Your camera and battery may get hot due to continuous use, but it is not a malfunction.

On the overheat protection

Depending on the camera and battery temperature, you may be unable to record movies or the power may turn off automatically to protect the camera.

A message will be displayed on the screen before the power turns off or you can no longer record movies. In this case, leave the power off and wait until the camera and battery temperature goes down. If you turn on the power without letting the camera and battery cool enough, the power may turn off again or you may be unable to record movies. GB

On charging the battery

If you charge a battery that has not been used for a long time, you may be unable to charge it to the proper capacity.

This is due to the battery characteristics, and is not a malfunction. Charge the battery again.

Warning on copyright

Television programs, films, videotapes, and other materials may be copyrighted. Unauthorized recording of such materials may be contrary to the provisions of the copyright laws.

No compensation for damaged content or recording failure

Sony cannot compensate for failure to record or loss or damage of recorded content due to a malfunction of the camera or recording media, etc.

Cleaning the camera surface

Clean the camera surface with a soft cloth slightly moistened with water, then wipe the surface with a dry cloth. To prevent damage to the finish or casing:

- Do not expose the camera to chemical products such as thinner, benzine, alcohol, disposable cloths, insect repellent, sunscreen or insecticide.

Specifications

Camera

[System]

Image device: 13.2 mm × 8.8 mm
(1.0 type) Exmor CMOS sensor
Total pixel number of camera:
Approx. 20.9 Megapixels
Effective pixel number of camera:
Approx. 20.2 Megapixels
Lens: Carl Zeiss Vario-Sonnar T* 3.6×
zoom lens
f = 10.4 mm – 37.1 mm (28 mm –
100 mm (35 mm film equivalent))
F1.8 (W) – F4.9 (T)
While shooting movies (16:9):
29 mm – 105 mm*
While shooting movies (4:3):
36 mm – 128 mm*
* When [SteadyShot] is set to
[Standard]
SteadyShot: Optical
Exposure control: Automatic exposure,
Aperture priority, Shutter priority,
Manual exposure, Scene Selection
(13 modes)
White balance: Automatic, Daylight,
Shade, Cloudy, Incandescent,
Fluorescent (Warm White/
Cool White/Day White/Daylight),
Flash, Color temperature/Color
filter, Custom
Signal format:
For 1080 50i:
PAL color, CCIR standards HDTV
1080/50i, 1080/50p specification
For 1080 60i:
NTSC color, EIA standards HDTV
1080/60i, 1080/60p specification

File format:

Still images: JPEG (DCF, Exif,
MPF Baseline) compliant, DPOF
compatible
Movies (AVCHD format):
AVCHD format Ver. 2.0
compatible
Video: MPEG-4 AVC/H.264
Audio: Dolby Digital 2ch,
equipped with Dolby Digital Stereo
Creator
• Manufactured under license from
Dolby Laboratories.
Movies (MP4 format):
Video: MPEG-4 AVC/H.264
Audio: MPEG-4 AAC-LC 2ch
Recording media: “Memory Stick
Duo” media, “Memory Stick
Micro” media, SD cards, microSD
memory cards
Flash: Flash range (ISO sensitivity
(Recommended Exposure Index)
set to Auto):
Approx. 0.3 m to 17.1 m
(11 3/4 inches to 56 ft.
1 3/4 inches) (W)
Approx. 0.55 m to 6.3 m (1 ft.
9 1/2 inches to 20 ft. 8 inches) (T)

[Input and Output connectors]

HDMI connector: HDMI micro jack
Micro USB connector:
USB communication
USB communication: Hi-Speed USB
(USB 2.0)

McGrp.RU

[Screen]

LCD screen:

7.5 cm (3.0 type) TFT drive

Total number of dots:

1 228 800 dots

[Power, general]

Power: Rechargeable battery pack

NP-BX1, 3.6 V

AC Adaptor AC-UD10/UD11, 5 V

Power consumption (during shooting):

1.5 W

Operating temperature: 0 °C to 40 °C

(32 °F to 104 °F)

Storage temperature: -20 °C to +60 °C

(-4 °F to +140 °F)

Dimensions (CIPA compliant):

101.6 mm × 58.1 mm × 35.9 mm

(4 inches × 2 3/8 inches ×

1 7/16 inches) (W/H/D)

Mass (CIPA compliant) (including NP-

BX1 battery pack, "Memory Stick
Duo" media):

Approx. 240 g (8.5 oz)

Microphone: Stereo

Speaker: Monaural

Exif Print: Compatible

PRINT Image Matching III:

Compatible

AC Adaptor AC-UD10/UD11

Power requirements: AC 100 V to

240 V, 50 Hz/60 Hz, 0.2 A

Output voltage: DC 5 V, 1 500 mA

Operating temperature: 0 °C to 40 °C

(32 °F to 104 °F)

Storage temperature: -20 °C to +60 °C

(-4 °F to +140 °F)

Dimensions:

AC-UD10: Approx. 78 mm ×

22 mm × 36 mm (3 1/8 inches ×

7/8 inches × 1 7/16 inches)

(W/H/D)

AC-UD11: Approx. 70 mm ×

33 mm × 36 mm (2 7/8 inches ×

1 5/16 inches × 1 7/16 inches)

(W/H/D)

Mass:

AC-UD10: Approx. 45 g (1.6 oz)

AC-UD11: Approx. 50 g (1.8 oz)

Rechargeable battery pack**NP-BX1**

Used battery: Lithium-ion battery

Maximum voltage: DC 4.2 V

Nominal voltage: DC 3.6 V

Maximum charge voltage: DC 4.2 V

Maximum charge current: 1.89 A

Capacity: 4.5 Wh (1 240 mAh)

Design and specifications are subject to
change without notice.

GB

Trademarks

- The following marks are trademarks of Sony Corporation.
Cyber-shot, “Cyber-shot,” “Memory Stick PRO Duo,” “Memory Stick PRO-HG Duo,” “Memory Stick Duo,” “Memory Stick Micro”
- “AVCHD Progressive” and “AVCHD Progressive” logotype are trademarks of Panasonic Corporation and Sony Corporation.
- Windows is registered trademark of Microsoft Corporation in the United States and/or other countries.
- Mac and Mac OS are registered trademarks of Apple Inc.
- SDXC logo is a trademark of SD-3C, LLC.
- “” and “PlayStation” are registered trademarks of Sony Computer Entertainment Inc.
- In addition, system and product names used in this manual are, in general, trademarks or registered trademarks of their respective developers or manufacturers. However, the TM or ® marks are not used in all cases in this manual.



- Add further enjoyment with your PlayStation 3 by downloading the application for PlayStation 3 from PlayStation Store (where available.)
- The application for PlayStation 3 requires PlayStation Network account and application download. Accessible in areas where the PlayStation Store is available.

Additional information on this product and answers to frequently asked questions can be found at our Customer Support Website.

<http://www.sony.net/>

Printed on 70% or more recycled paper using VOC (Volatile Organic Compound)-free vegetable oil based ink.

McGrp.Ru

McGrp.Ru

Получение дополнительных сведений о фотоаппарате (“Руководство пользователя Cyber-shot”)



“Руководство пользователя Cyber-shot” является интерактивным руководством. Обращайтесь к нему для получения подробных инструкций по многим функциям фотоаппарата.

- ① Перейдите на страницу поддержки Sony.
<http://www.sony.net/SonyInfo/Support/>
- ② Выберите страну или регион.
- ③ Найдите наименование модели фотоаппарата на странице поддержки.
 - Проверьте наименование модели на нижней стороне фотоаппарата.

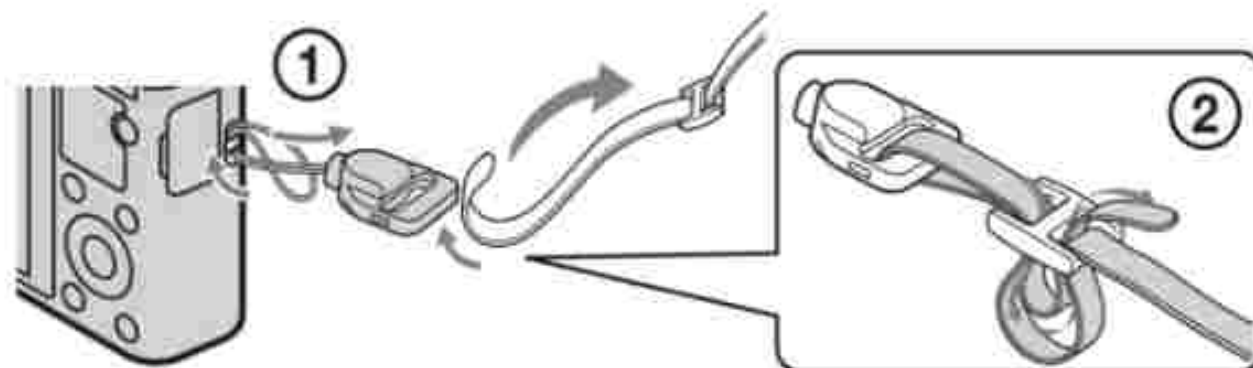
Проверка прилагаемых предметов

McGrp.Ru

Число в скобках указывает количество штук.

- Фотоаппарат (1)
- Перезаряжаемый батарейный блок NP-BX1 (1)
- Кабель micro USB (1)
- Адаптер переменного тока AC-UD10/UD11 (1)
- Шнур питания (не прилагается для США и Канады) (1)
- Наручный ремешок (1)
- Адаптер для плечевого ремня (2)

(Адаптеры для плечевого ремня используются для прикрепления плечевого ремня (продается отдельно), как показано на рисунке.)



- Инструкция по эксплуатации (данное руководство) (1)

ПРЕДУПРЕЖДЕНИЕ

Для уменьшения опасности возгорания или поражения электрическим током не подвергайте аппарат воздействию дождя или влаги.

ВАЖНЫЕ ИНСТРУКЦИИ ПО ТЕХНИКЕ БЕЗОПАСНОСТИ

**-СОХРАНИТЕ ЭТИ ИНСТРУКЦИИ
ОПАСНОСТЬ**

**ДЛЯ УМЕНЬШЕНИЯ ОПАСНОСТИ
ВОЗГОРАНИЯ ИЛИ ПОРАЖЕНИЯ
ЭЛЕКТРИЧЕСКИМ ТОКОМ СТРОГО
СОБЛЮДАЙТЕ ЭТИ ИНСТРУКЦИИ**

Если форма штепсельной вилки не соответствует сетевой розетке, используйте для сетевой розетки переходник соответствующей конфигурации.

RU

ПРЕДУПРЕЖДЕНИЕ

McGrp.Ru

Батарейный блок

Неправильное обращение с батарейным блоком может стать причиной его взрыва, возгорания, а также химических ожогов. Соблюдайте следующие меры предосторожности.

- Не разбирайте блок.
- Не подвергайте батарейный блок каким бы то ни было механическим воздействиям: ударам, падениям или попаданиям под тяжелые предметы.
- Во избежание короткого замыкания не допускайте контакта металлических предметов с контактами батарейного блока.
- Не допускайте нагрева батарейного блока до температуры выше 60 °C: избегайте воздействия на него прямых солнечных лучей, а также не оставляйте в припаркованном на солнце автомобиле.
- Запрещается сжигать блок или бросать его в огонь.
- Не следует использовать поврежденные и протекающие литий-ионные батареи.
- Для зарядки батарейного блока используйте оригинальное зарядное устройство Sony или другое совместимое зарядное устройство.
- Храните батарейный блок в недоступном для детей месте.
- Храните батарейный блок в сухом месте.
- Замену следует выполнять только на батарейный блок того же или аналогичного типа, рекомендованный Sony.
- Утилизация использованных батарейных блоков должна производиться надлежащим образом в соответствии с инструкциями.

RU
3

Адаптер переменного тока

Подсоедините адаптер переменного тока к ближайшей сетевой розетке. Если при использовании адаптера переменного тока возникнут какие-либо проблемы, немедленно отключите питание, вынув штепсельную вилку из сетевой розетки.

Сетевой шнур (провод питания), если он прилагается, предназначен специально для использования только с данным фотоаппаратом, и не должен использоваться с другим электрическим оборудованием.

Только для модели предназначенных для рынков России и стран СНГ



MO04

Дата изготовления изделия.

Вы можете узнать дату изготовления изделия, взглянув на обозначение "P/D:", которое находится на этикетке со штрих кодом картонной коробки.

Знаки, указанные на этикетке со штрих кодом картонной коробки.

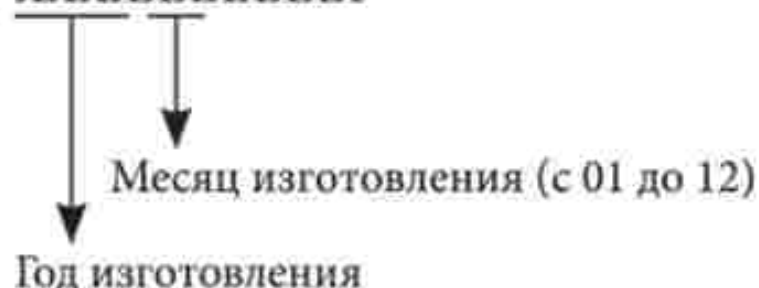
P/D:XX XXXX
1 2

McGrp.Ru

1. Месяц изготовления
 2. Год изготовления
- A-0, B-1, C-2, D-3, E-4, F-5, G-6,
H-7, I-8, J-9.

Дата изготовления литий-ионного батарейного блока указаны на боковой стороне или на поверхности с наклейкой.

XXXXXXXXXXXX



Для покупателей в Европе

Примечание для покупателей в странах, где действуют директивы ЕС

Производителем данного устройства является корпорация Sony Corporation, 1-7-1 Konan Minato-ku Tokyo, 108-0075 Japan. Уполномоченным представителем по электромагнитной совместимости (EMC) и безопасности изделия является компания Sony Deutschland GmbH, Hedelfinger Strasse 61, 70327 Stuttgart, Germany. По вопросам обслуживания и гарантии обращайтесь по адресам, указанным в соответствующих документах.

Данное изделие прошло испытания и соответствует ограничениям, установленным в Директиве EMC в отношении соединительных кабелей, длина которых не превышает 3 метров.

Внимание

Электромагнитные поля определенных частот могут влиять на изображение и звук данного аппарата.

Уведомление

Если статическое электричество или электромагнитные силы приводят к сбою в передаче данных, перезапустите приложение или отключите и снова подключите коммуникационный кабель (USB и т.д.).

Утилизация отслужившего электрического и электронного оборудования (директива применяется в странах Евросоюза и других европейских странах, где действуют системы раздельного сбора отходов)



Данный знак на устройстве или его упаковке обозначает, что данное устройство нельзя утилизировать вместе с прочими бытовыми отходами. Его следует сдать в соответствующий приемный пункт переработки электрического и электронного оборудования. Неправильная утилизация данного изделия может привести к потенциально негативному влиянию на окружающую среду и здоровье людей, поэтому для предотвращения подобных последствий необходимо выполнять специальные требования по утилизации этого изделия. Переработка данных материалов поможет сохранить природные ресурсы. Для получения более подробной информации о переработке этого изделия обратитесь в местные органы городского управления, службу сбора бытовых отходов или в магазин, где было приобретено изделие.

RU

Утилизация использованных элементов питания (применяется в странах Евросоюза и других европейских странах, где действуют системы раздельного сбора отходов)



Данный знак на элементе питания или упаковке означает, что элемент питания, поставляемый с устройством, нельзя утилизировать вместе с прочими бытовыми отходами. На некоторых элементах питания данный символ может комбинироваться с символом химического элемента. Символы ртути (Hg) или свинца (Pb) указываются, если содержание

данных металлов более 0,0005% (для ртути) и 0,004% (для свинца) соответственно.

Обеспечивая правильную утилизацию использованных элементов питания, вы предотвращаете негативное влияние на окружающую среду и здоровье людей, возникающее при неправильной утилизации. Вторичная переработка материалов, использованных при изготовлении элементов питания, способствует сохранению природных ресурсов.

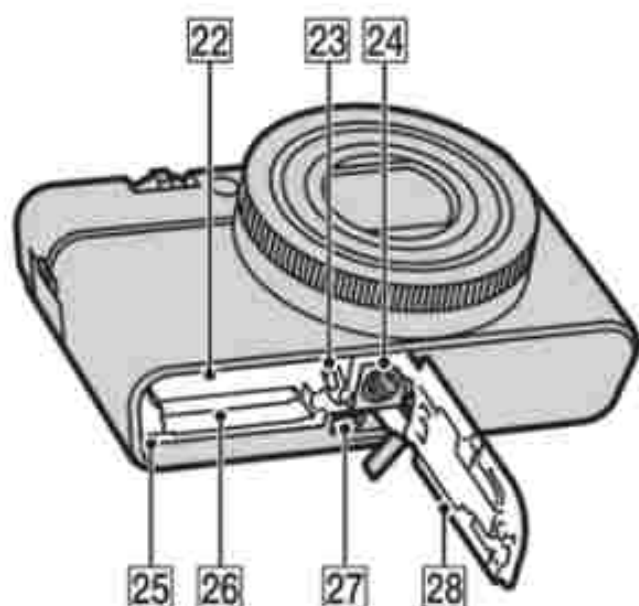
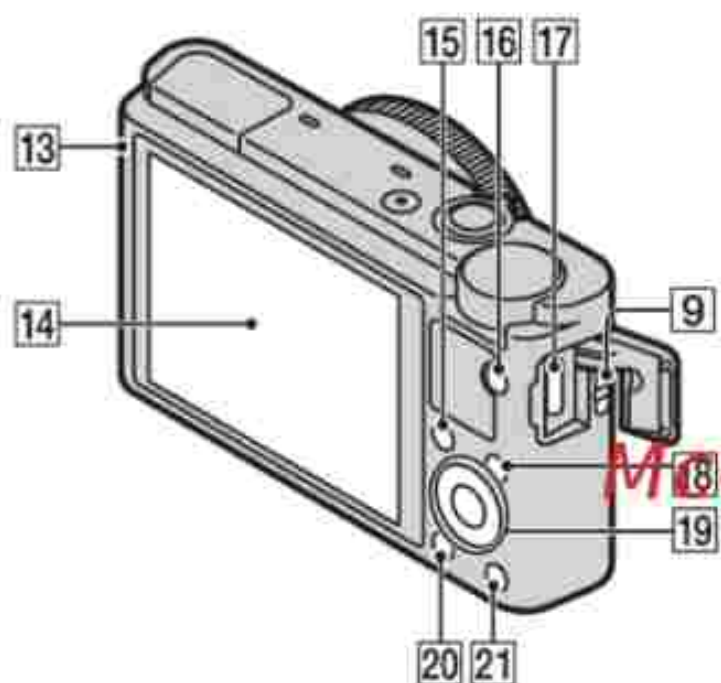
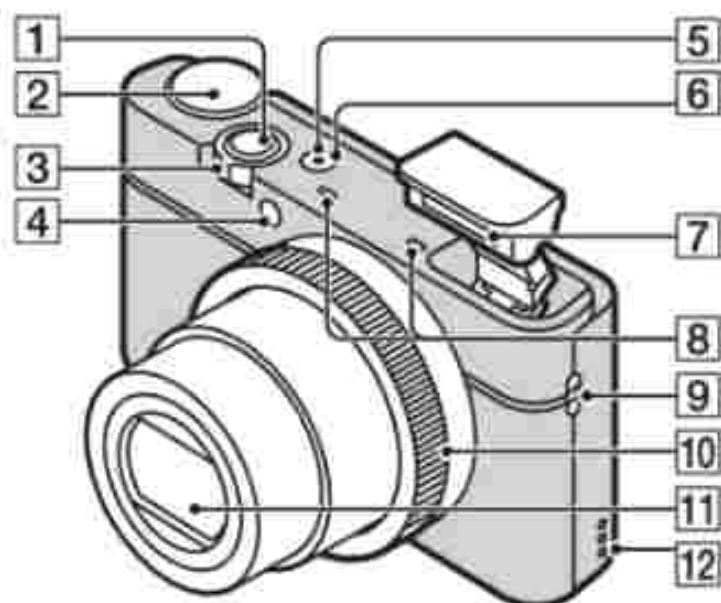
При работе устройств, для которых в целях безопасности, выполнения каких-либо действий или сохранения имеющихся в памяти устройств данных необходима подача постоянного питания от встроенного элемента питания, замену такого элемента питания следует производить только в специализированных сервисных центрах.



Для правильной утилизации использованных элементов питания, после истечения срока службы, сдавайте их в соответствующий пункт по сбору электронного и электрического оборудования.

Об использовании прочих элементов питания, пожалуйста, узнайте в разделе, в котором даны инструкции по извлечению элементов питания из устройства, соблюдая меры безопасности. Сдавайте использованные элементы питания в соответствующие пункты по сбору и переработке использованных элементов питания.


Для получения более подробной информации о вторичной переработке данного изделия или использованного элемента питания, пожалуйста, обратитесь в местные органы городского управления, службу сбора бытовых отходов или в магазин, где было приобретено изделие.

Обозначение частей



- 1 Кнопка затвора
- 2 Диск режимов
iA (Интеллект. Авто)/
iA+ (Супер авторежим)/
P (Программное авто)/
A (Приор. диафрагмы)/
S (Приор. выдержки)/
M (Ручной экспозиция)/
MR (Вызов памяти)/
 (Видео)/ (Панорамная съемка)/**SCN** (Выбор сцены)
- 3 Для съемки: Рычажок W/T (увеличение)
 Для просмотра: Рычажок Индексный режим /
 Воспроизведение крупным планом
- 4 Лампочка таймера самозапуска/Лампочка режима Распознавание улыбки/Подсветка АФ
- 5 Лампочка питания/зарядки
- 6 Кнопка ON/OFF (Питание)
- 7 Вспышка
 - Не закрывайте вспышку пальцами.
 - При использовании вспышки она выдвигается автоматически.
- 8 Микрофон
- 9 Петля для ремешка
- 10 Кольцо управления
- 11 Объектив
- 12 Громкоговоритель
- 13 Световой датчик
- 14 Экран ЖКД
- 15 Кнопка Fn (Функция)

RU

- 16 Кнопка MOVIE (Видеозапись)
- 17 Разъем micro USB
- 18 Кнопка MENU
- 19 Колесико управления
- 20 Кнопка  (воспроизведение)
- 21 Кнопка ?/⌫ (Встроенная справка/Удалить)
- 22 Слот для вставки батареи
- 23 Рычажок выталкивания батареи
- 24 Отверстие гнезда для штатива
 - Используйте штатив с винтом длиной менее 5,5 мм. В противном случае Вы не сможете плотно закрепить фотоаппарат, что может привести к его повреждению.
- 25 Лампочка доступа
- 26 Слот карты памяти
- 27 Микрогнездо HDMI
- 28 Крышка отсека батареи/карты памяти

Вставка батарейного блока

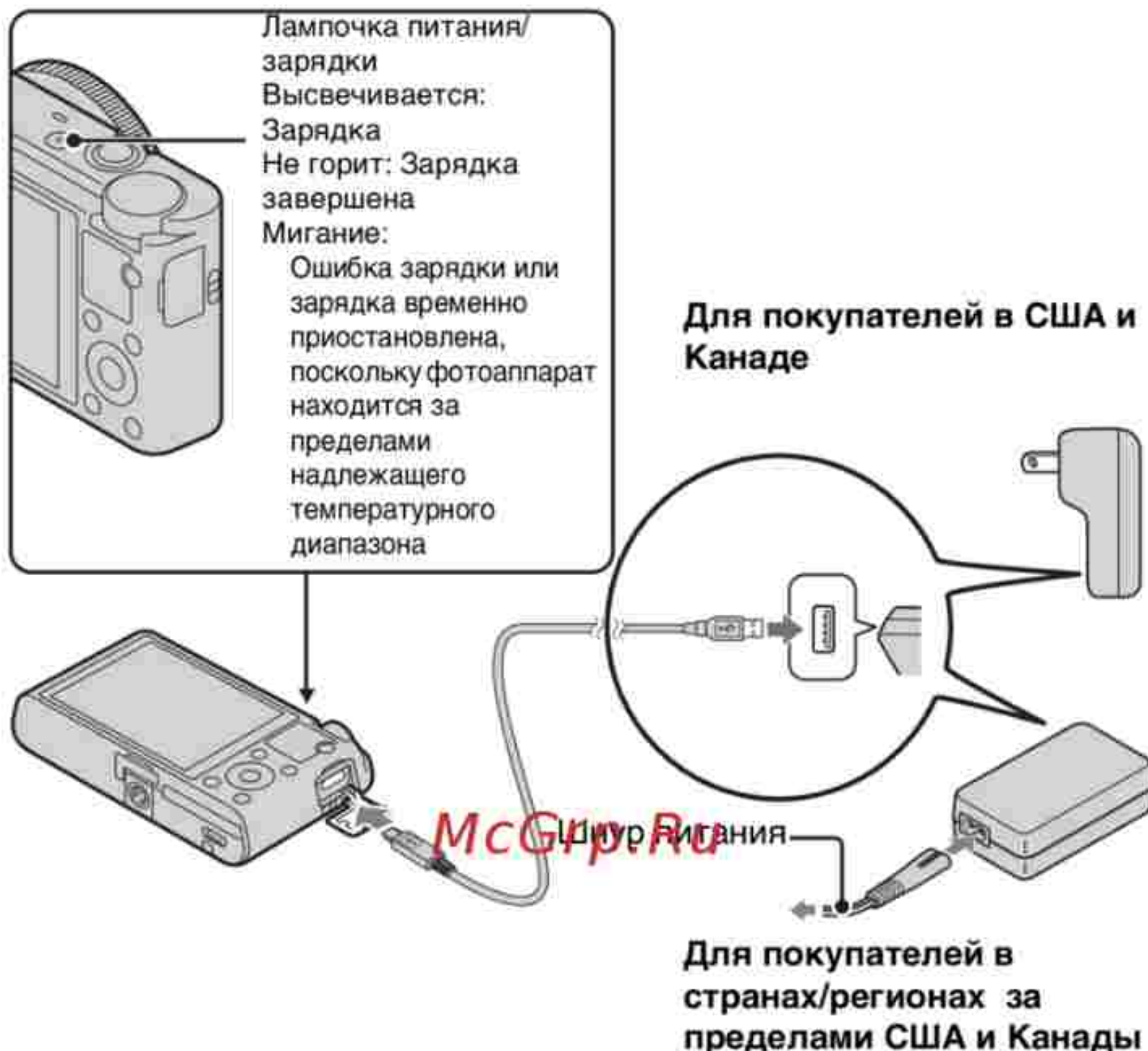


1 Откройте крышку.

2 Вставьте батарейный блок.

- Нажав рычажок выталкивания батареи, вставьте батарейный блок так, как показано на рисунке. Убедитесь, что рычажок выталкивания батареи защелкнулся после вставки батареи.
- В случае закрывания крышки с неправильно вставленной батареей, фотоаппарат можно повредить.

Зарядка батарейного блока



1 Подключите фотоаппарат к адаптеру переменного тока (прилагается) с помощью кабеля micro USB (прилагается).

2 Подсоедините адаптер переменного тока к сетевой розетке.

Лампочка питания/зарядки высветится оранжевым цветом, и начнется зарядка.

- Выключите фотоаппарат на время зарядки батареи.
- Батарейный блок можно заряжать, даже если он частично заряжен.
- Если лампочка питания/зарядки мигает, и зарядка не завершена, извлеките и снова вставьте батарейный блок.

Примечания

- Если лампочка питания/зарядки на фотоаппарате мигает при подключении адаптера переменного тока к сетевой розетке, это указывает на то, что зарядка временно остановлена из-за выхода температуры за пределы рекомендуемого диапазона. Зарядка возобновляется, когда температура возвращается в подходящий для зарядки диапазон. Мы рекомендуем Вам заряжать батарейный блок при температуре окружающей среды от 10°C до 30°C.
- Если участок разъема батареи загрязнен, батарейный блок может не заряжаться эффективно. В этом случае слегка протрите пыль мягкой тканью или ватным тампоном, чтобы очистить участок разъема батареи.
- Подсоедините адаптер переменного тока (прилагается) к ближайшей сетевой розетке. При возникновении каких-либо неисправностей во время использования адаптера переменного тока немедленно отключите питание, отсоединив штепсельную вилку от сетевой розетки.
- По завершении зарядки отключите адаптер переменного тока от сетевой розетки.
- Обязательно используйте только оригинальный батарейный блок Sony, кабель micro USB (прилагается) и адаптер переменного тока (прилагается).

McGrp.Ru

■ Время зарядки (полная зарядка)

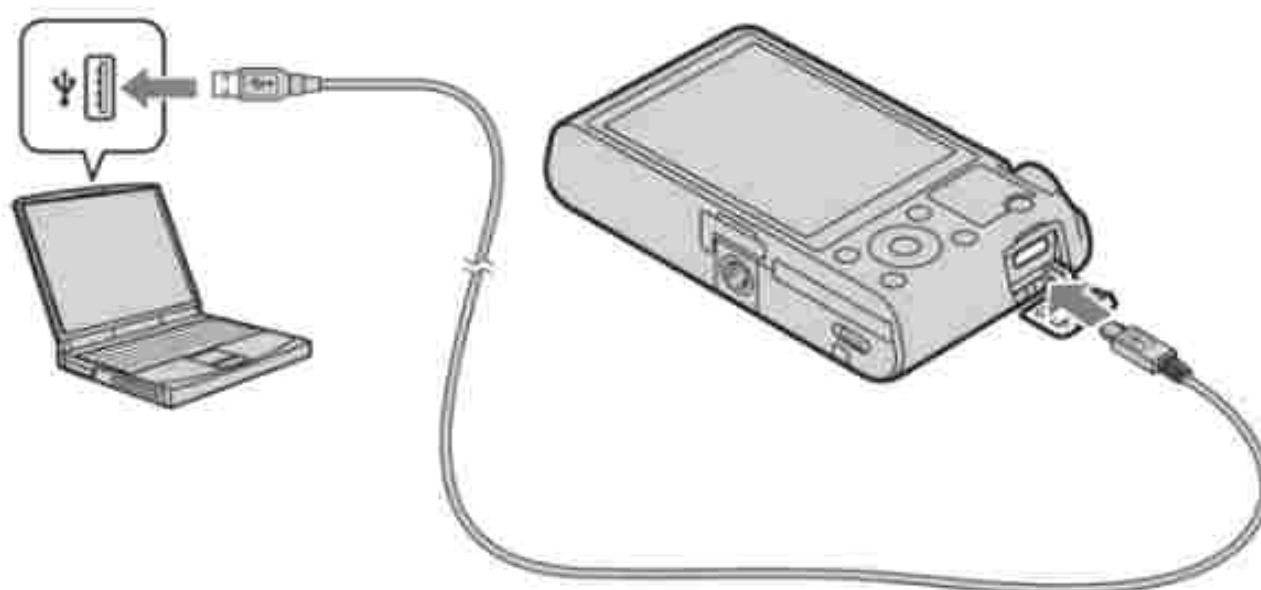
Время зарядки с помощью адаптера переменного тока (прилагается) равно приблизительно 155 мин.

Примечания

- Указанное выше время зарядки относится к зарядке полностью разряженного батарейного блока при температуре 25 °C. В зависимости от условий использования или обстоятельств зарядка может длиться дольше.

■ Зарядка посредством подключения к компьютеру

Батарейный блок можно зарядить посредством подсоединения фотоаппарата к компьютеру с помощью кабеля micro USB.



RU

Примечания

- Обратите внимание на следующие особенности при зарядке через компьютер:
 - Если фотоаппарат подсоединен к ноутбуку, который не подключен к источнику питания, уровень заряда батареи ноутбука уменьшится. Не выполняйте зарядку в течение продолжительного периода времени.
 - Не включайте/выключайте или не перезагружайте компьютер, а также не выводите компьютер из спящего режима, когда между компьютером и фотоаппаратом установлено USB-соединение. Это может привести к неисправности фотоаппарата. Перед включением/выключением или перезагрузкой компьютера или перед выводом компьютера из спящего режима отсоедините фотоаппарат от компьютера.
 - Зарядка с помощью компьютера, выполненного на заказ, или модифицированного компьютера не гарантируется.

■ Время работы батареи и количество изображений, которые могут быть записаны и воспроизведены

	Время работы батареи	Количество изображений
Съемка (фотоснимки)	Приблиз. 165 мин.	Приблиз. 330 изображений
Просмотр (фотоснимки)	Приблиз. 250 мин.	Приблиз. 5000 изображений
Съемка (видеозапись)	Приблиз. 80 мин.	—

Примечания

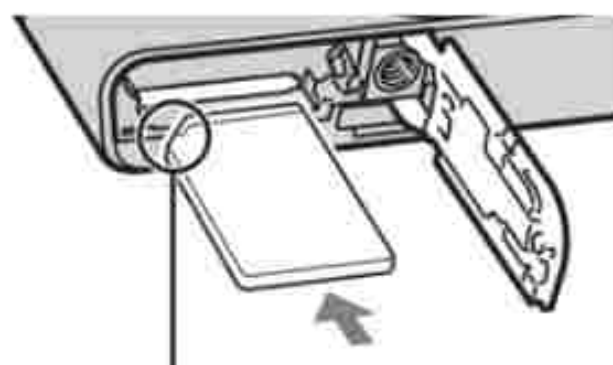
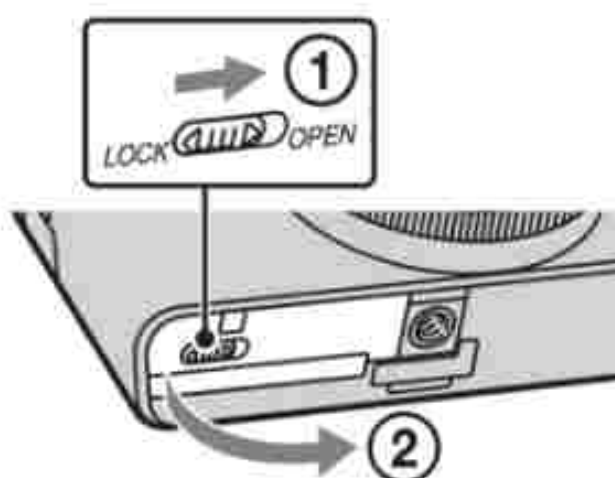
- Указанное выше количество изображений относится к полностью заряженному батарейному блоку. Количество изображений может уменьшиться в зависимости от условий использования.
- Количество изображений, которые могут быть записаны, приведено для съемки в следующих условиях:
 - Использование карты памяти Sony “Memory Stick PRO Duo” (Mark2) (продается отдельно)
 - Батарейный блок используется при температуре окружающей среды 25°C.
- Количество для пункта “Съемка (фотоснимки)” основано на стандарте CIPA и действительно для съемки при следующих условиях: (CIPA: Camera & Imaging Products Association)
 - Опция DISP установлена в положение [Показать всю инф.].
 - Съемка через каждые 30 секунд.
 - Увеличение поочередно переключается между предельными значениями сторон W и T.
 - Вспышка срабатывает каждый второй раз.
 - Питание включается и выключается через каждые десять раз.
- Время работы в режиме видеозаписи приведено для съемки в следующих условиях:
 - Параметры записи: 60i 17M(FH)/50i 17M(FH)
 - Если непрерывная видеосъемка завершится из-за установленных ограничений (29 минут), снова нажмите кнопку MOVIE (Видеозапись) для продолжения записи. Такие функции съемки, как увеличение, будут недоступны.

■ Подача питания

Питание на фотоаппарат может подаваться от сетевой розетки посредством подсоединения к адаптеру переменного тока (прилагается) с помощью кабеля micro USB (прилагается). При этом не стоит беспокоиться относительно разрядки батареи во время выполнения съемки в течение продолжительного периода или когда фотоаппарат подсоединен к телевизору или компьютеру. Съемку и воспроизведение можно выполнить без батарейного блока в фотоаппарате.

Вставка карты памяти (продается отдельно)

RU



Убедитесь, что срезанный угол расположен правильно.

McGrp.Ru

- 1 Откройте крышку.
- 2 Вставьте карту памяти (продается отдельно).
 - Расположив карту памяти со срезанным углом так, как на рисунке, вставьте ее до щелчка.
- 3 Закройте крышку.

■ Используемые карты памяти

	Карта памяти	Для фотоснимков	Для видеосъемки
A	Memory Stick PRO Duo	✓	✓ (только Mark2)
	Memory Stick PRO-HG Duo	✓	✓
	Memory Stick Duo	✓	—
B	Memory Stick Micro (M2)	✓	✓ (только Mark2)
C	Карта памяти SD	✓	✓ (Класс 4 или выше)
	Карта памяти SDHC	✓	✓ (Класс 4 или выше)
	Карта памяти SDXC	✓	✓ (Класс 4 или выше)
D	Карта памяти microSD	✓	✓ (Класс 4 или выше)
	Карта памяти microSDHC	✓	✓ (Класс 4 или выше)

- В данном руководстве изделия в таблице именуются в собирательном значении как:

A: “Memory Stick Duo”

B: “Memory Stick Micro”

C: Карта SD

D: Карта памяти microSD

Примечания

- При использовании с данным фотоаппаратом карт памяти “Memory Stick Micro” или microSD, обязательно используйте их с соответствующим адаптером.

■ Для извлечения карты памяти/батарейного блока

Карта памяти: Нажмите карту памяти один раз для ее извлечения.

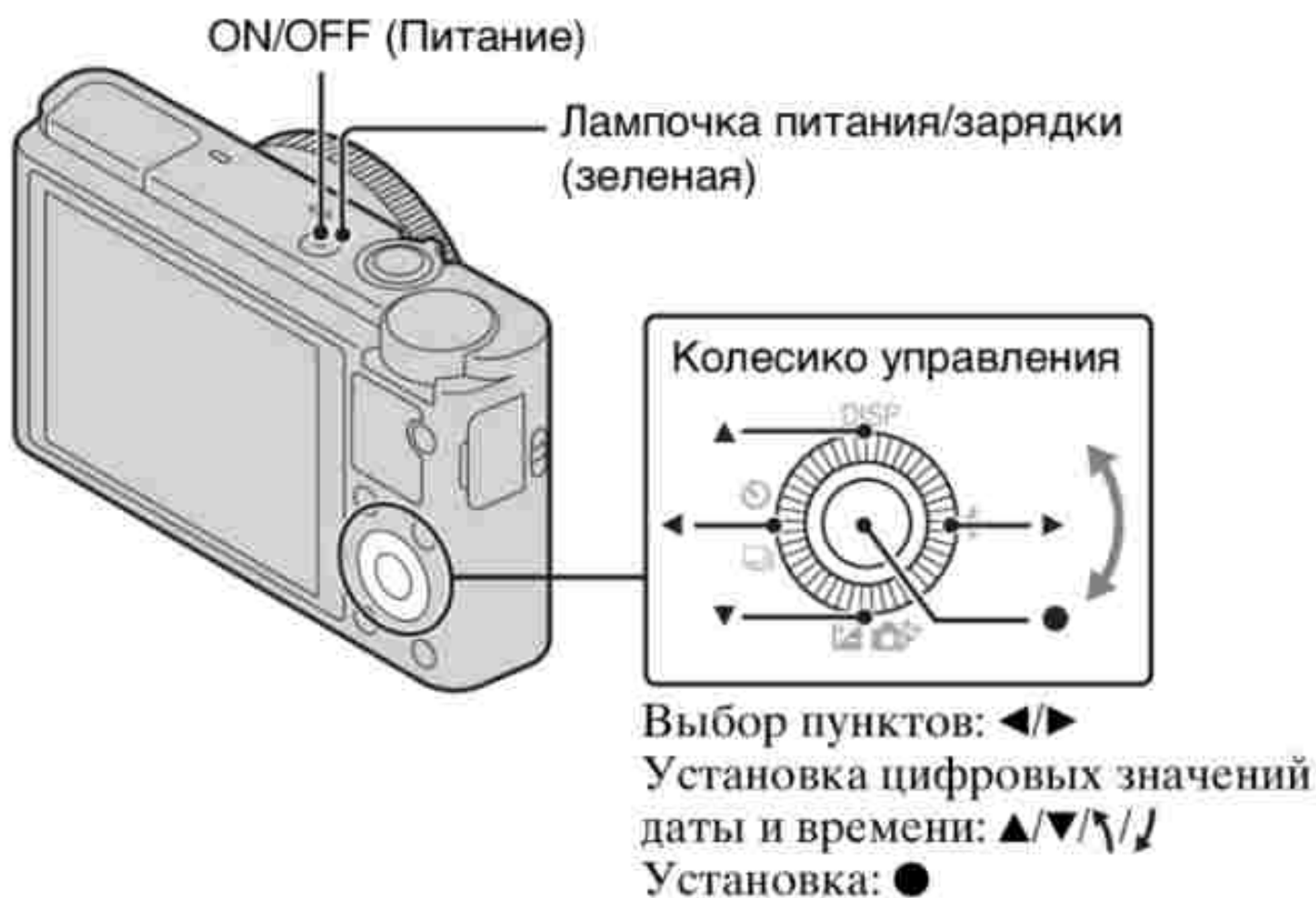
Батарейный блок: Сдвиньте рычажок выталкивания батареи.

Следите за тем, чтобы не уронить батарейный блок.

Примечания

- Никогда не вынимайте карту памяти/батарейный блок, когда горит лампочка доступа (стр. 7). Это может привести к повреждению данных на карте памяти.

Установка часов

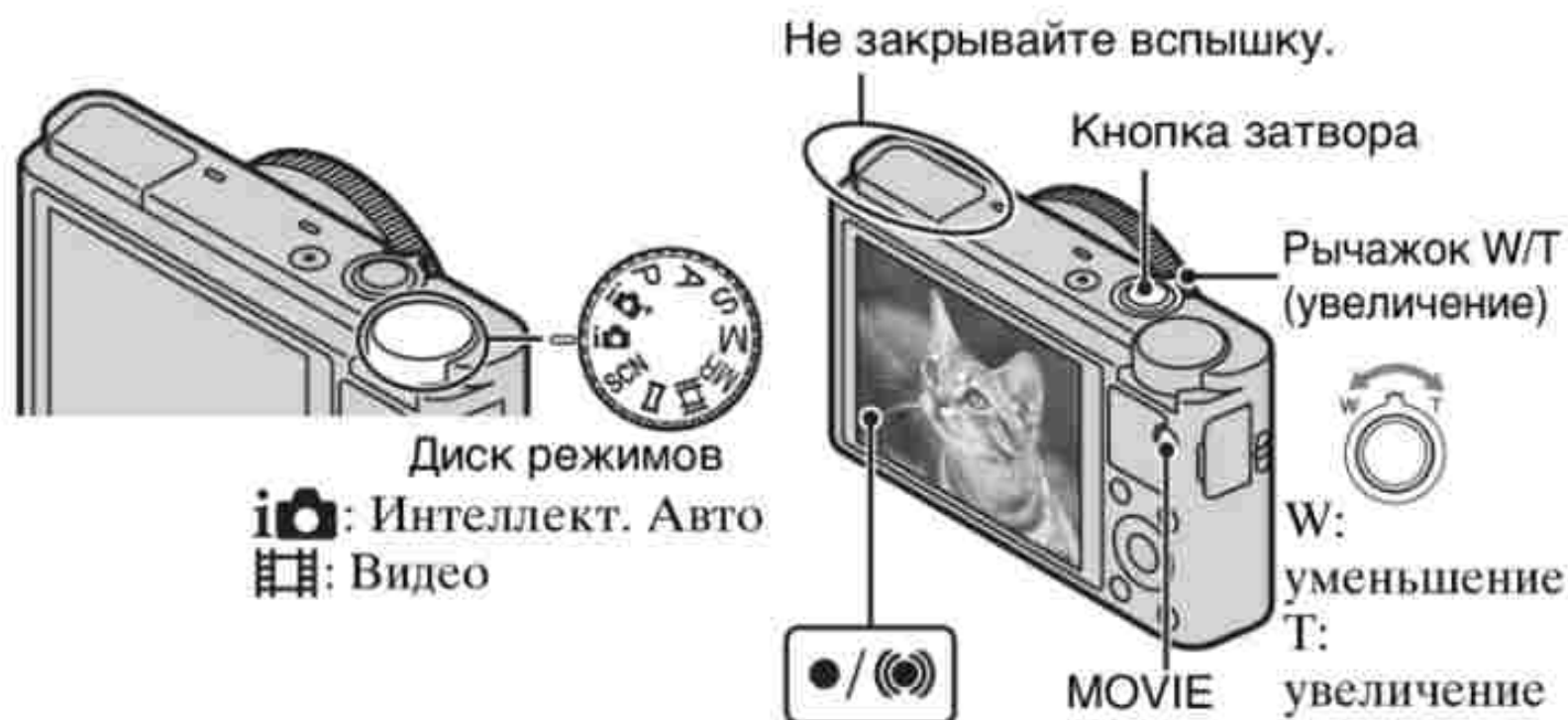


RU

- 1 Нажмите кнопку ON/OFF (Питание).
При первом включении фотоаппарата будет отображена установка даты и времени.
 - Для включения питания и получения доступа к функциям фотоаппарата может потребоваться некоторое время.
- 2 Убедитесь, что на экране выбрано [Ввод], а затем нажмите кнопку ● на колесике управления.
- 3 Выберите нужное географическое местоположение, следуя инструкциям на экране, а затем нажмите кнопку ●.
- 4 Установите [Летнее время:], дату и [Формат даты:], а затем нажмите ●.
 - Полночь обозначается как 12:00 AM, а полдень как 12:00 PM.
- 5 Убедитесь, что выбрано [Ввод], а затем нажмите кнопку ●.

RU
15

Фотосъемка/видеосъемка



Фотосъемка

- 1 Нажмите кнопку затвора наполовину вниз для выполнения фокусировки.

Если изображение находится в фокусе, раздается звуковой сигнал и высвечивается индикатор ● или (●).

- 2 Для выполнения съемки нажмите кнопку затвора полностью вниз.

Видеосъемка

- 1 Нажмите кнопку MOVIE (Видеозапись) для начала записи.

- Используйте рычажок W/T (увеличение) для изменения кратности увеличения.
- Нажимайте кнопку затвора для выполнения фотосъемки, продолжая видеосъемку.

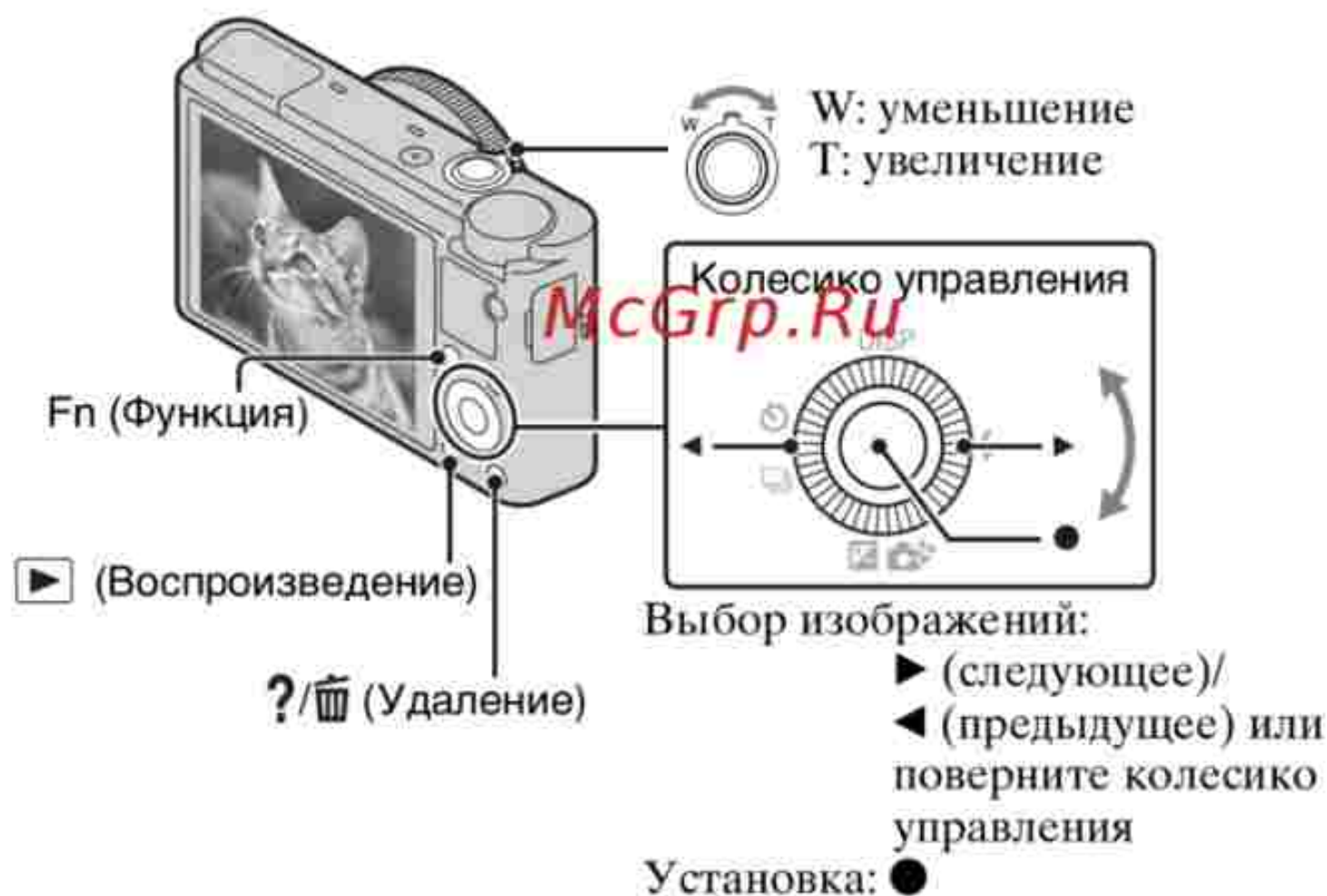
- 2 Нажмите кнопку MOVIE еще раз для остановки записи.

Примечания

- Не выдвигайте вспышку вручную. Это может привести к неисправности.
- При использовании функции увеличения во время видеосъемки будет записан звук работы фотоаппарата. По завершении видеосъемки также может быть записан звук срабатывания кнопки MOVIE.
- Непрерывная съемка возможна в течение приблизительно 29 минут с настройками фотоаппарата по умолчанию и при температуре около 25°C. По завершении видеозаписи можно возобновить запись, нажав кнопку MOVIE еще раз. Выполнение записи может остановиться для защиты фотоаппарата в зависимости от температуры окружающей среды.

RU

Просмотр изображений



1 Нажмите кнопку (▶) (воспроизведение).

- Вы можете переключать режим дисплея между фотосъемкой и видеозаписью путем выбора MENU → (▶) 1 → [Выб. фото./ видео].

RU
17

■ Выбор следующего/предыдущего фотоснимка

Выберите изображение, нажимая кнопки ► (следующее)/◀ (предыдущее) на колесике управления или поверните колесико управления. Нажмите кнопку ● в центре колесика управления для просмотра видеозаписи.

■ Удаление фотоснимка

- ① Нажмите кнопку ?/🗑️ (Удаление).
- ② Выберите опцию [Удалить] с помощью ▲ на колесике управления, а затем нажмите кнопку ●.

■ Поворот изображения

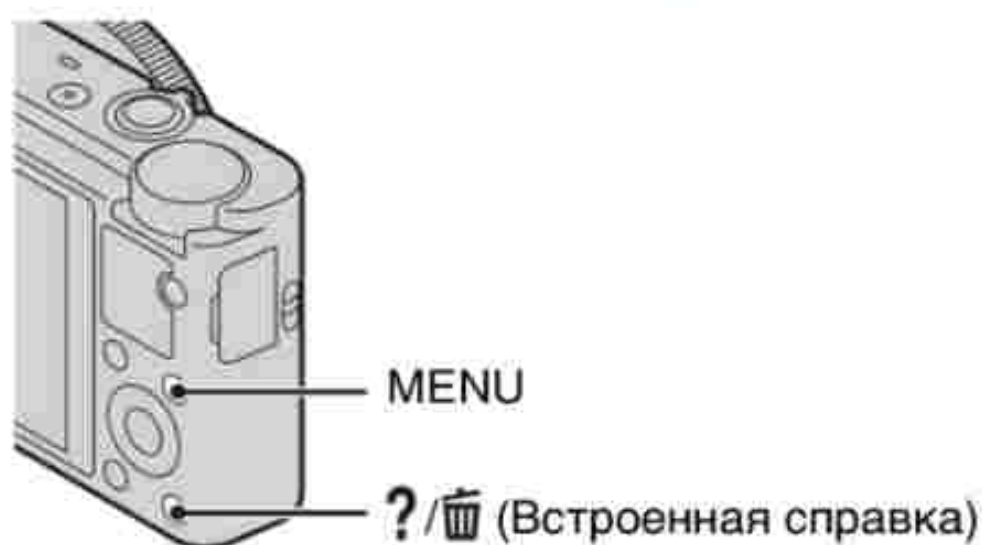
Нажмите кнопку Fn (Функция).

■ Возврат к фотосъемке

Нажмите кнопку затвора наполовину вниз.

Просмотр справки

Данный фотоаппарат оснащен встроенной инструкцией.



Встроенная справка

Фотоаппарат отображает пояснения для пунктов MENU и значений установки.

1 Нажмите кнопку MENU.

2 Выберите нужный пункт MENU, а затем нажмите кнопку ?/🗑️ (Встроенная справка).

Совет по съемке

Фотоаппарат отображает советы по съемке для выбранного режима съемки.

1 Нажмите кнопку **?/☒** (Встроенная справка) в режиме съемки.

2 Выберите нужный совет по съемке, а затем нажмите кнопку **●** на колесике управления.

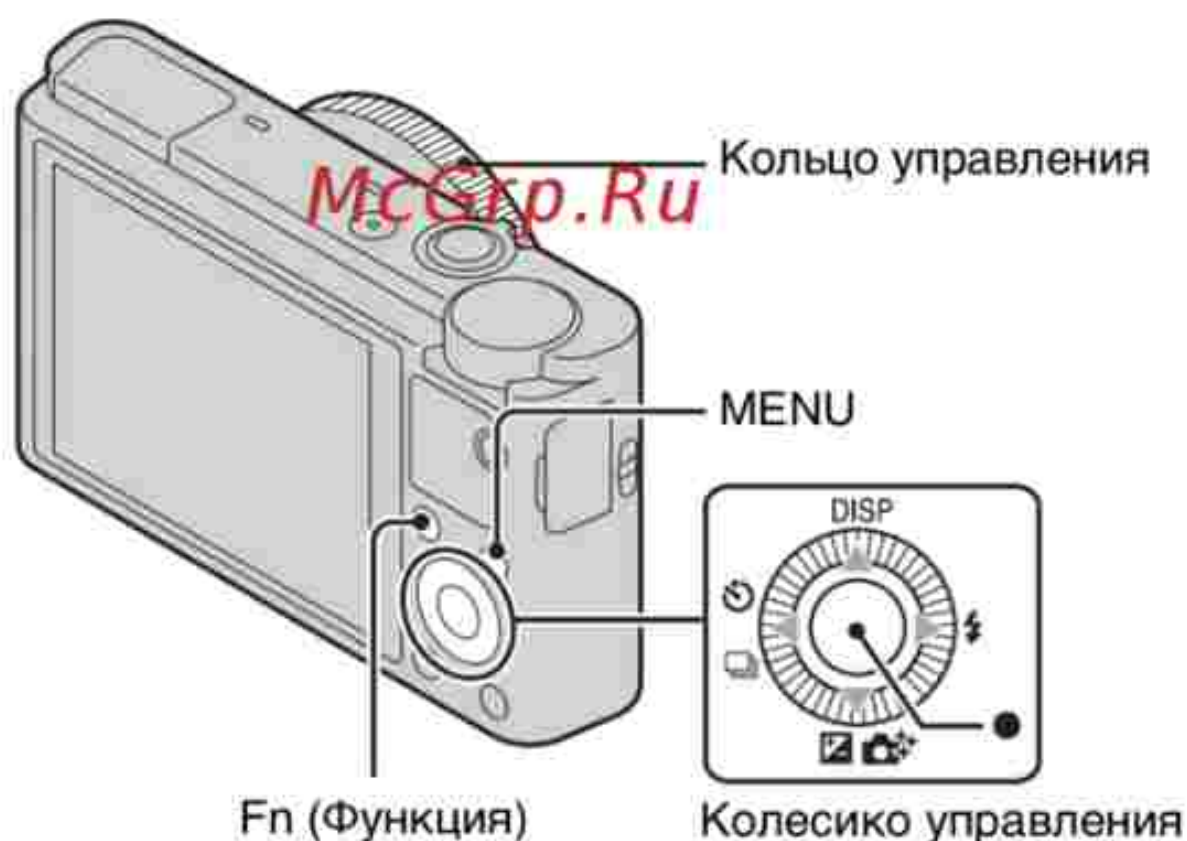
Будет отображен совет по съемке.

- Вы можете выполнять прокрутку экрана с помощью кнопок **▲/▼** и переключать советы по съемке с помощью кнопок **◀/▶**.

RU

Введение в другие функции

Управление другими функциями можно осуществлять с помощью колесика управления, кнопки MENU и т.п.



RU
19

■ Колесико управления

DISP (Вид экрана): Позволяет изменять экранную индикацию.

⚡ (Режим вспышки): Позволяет выбирать режим вспышки для фотоснимков.

☑/📷+ (Коррек.экспоз./Творческое фото): Позволяет регулировать яркость изображения. Позволяет изменять установки [Разм. фона], [Яркость], [Цвет], [Интенсивность] и [Эффект рисунка], когда режим съемки установлен в положение [Интеллект. Авто] или [Супер авторежим].

🕒/📷 (Режим протяжки): Позволяет использовать таймер самозапуска и режим серийной съемки.

● (Следящ. фокусир.): Фотоаппарат отслеживает объект и автоматически регулирует фокус, даже если объект перемещается.

■ Кнопка Fn (Функция)

Позволяет зарегистрировать семь функций и вызывать эти функции во время съемки.

- ① Нажмите кнопку Fn (Функция).
- ② Выберите нужную функцию с помощью кнопки Fn (Функция) или кнопки ◀/▶ на колесике управления.
- ③ Выберите значение установки, поворачивая колесико управления или кольцо управления.

■ Кольцо управления

Для кольца управления можно назначать избранные функции. Во время съемки заданные установки можно изменять просто путем поворота кольца управления.

■ Пункты меню

📷 Меню фотосъемки

Размер изобр.	Выбор размера фотоснимков.
Формат	Выбор формата фотоснимков.
Качество	Выбор качества изображения для фотоснимков.
Панорама: размер	Выбор размера панорамных изображений.
Панорама: направл.	Выбор направления съемки панорамных изображений.

Режим протяжки	Установка режима привода, например, для непрерывной съемки.
Режим вспышки	Выполнение установок вспышки.
Режим Фокусировки	Выбор метода фокусировки.
Обл. автофокуса	Выбор области фокусировки.
Эффект мягкой кожи	Установка эффекта мягкой кожи и уровня эффекта.
Улыб./Распоз. Лиц	Выбор для автоматического распознавания лиц и регулировки различных установок. Установка автоматического срабатывания затвора при распознавании улыбки.
Авт. кадрир. портр.	Анализ сцены во время обнаружения лица и сохранение другого изображения с более выразительной композицией.
ISO	Регулировка световой чувствительности.
Режим измер.	Выбор режима фотометрии, устанавливающего, какую часть объекта следует использовать для определения экспозиции.
Кор.эксп.вспыш.	Регулировка количества света вспышки.
Баланс белого	Регулировка цветовых тонов изображения.
DRO/Авто HDR	Автоматическая компенсация яркости и контрастности.
Творческ. стиль	Выбор нужной обработки изображения.
Эффект рисунка	Фотосъемка с уникальной текстурой для выбранного эффекта.
Увел. четк. изобр.	Получение более качественного увеличенного изображения, чем при использовании цифрового увеличения.
Цифров увелич	Получение изображений с большим увеличением, чем при использовании функции Увел. четк. изобр.
ШП длит. экспоз.	Использование функции подавления шума при выдержке 1/3 сек или дольше.

ШП высокого ISO	Использование функции подавления шума при съемке с высокой чувствительностью.
Подсветка АФ	Установка подсветки АФ, которая используется для фокусировки на объекте в темной обстановке.
SteadyShot	Установка SteadyShot.
Цвет. простран.	Выбор диапазона воспроизводимых цветов.
Советы по съемке	Отображение всех советов по съемке.
Запись даты	Установка записи даты съемки на фотоснимке.
Выбор сцены	Выбор предварительно отрегулированных установок в соответствии с условиями различных сцен.
Вызов памяти	Выбор установок, которые необходимо вызвать, когда диск переключения режимов установлен в положение [Вызов памяти].
Память	Сохранение нужных режимов или установок фотоаппарата.

McGrp.Ru

☰ Меню видеосъемки

Формат файла	Выбор формата файла видео.
Параметры записи	Выбор размера кадра записанного видео.
Разм. изобр.(Dual Rec)	Установка размера фотоснимка, получаемого во время видеосъемки.
SteadyShot	Установка SteadyShot.
Запись звука	Установка записи звука во время видеосъемки.
Умен. шума ветра	Уменьшение шума ветра во время видеозаписи.
Видео	Выбор режима экспозиции в зависимости от объекта или эффекта.

⚙ Меню пользовательских установок

Ум.эфф.кр.глаз	Уменьшение эффекта красных глаз при использовании вспышки.
Сетка	Отображение линий сетки для облегчения выравнивания кадра.
Авто.просмотр	Отображение снятого изображения после съемки. Установка автоматического просмотра.
Кнопка DISP(Монитор)	Установка режимов отображения экрана, которые можно выбирать, нажимая кнопку DISP на колесике управления.
Уров. выделения контуров	Выделение границ диапазонов фокусировки с помощью определенного цвета.
Цвет выделения контуров	Установка цвета, используемого для функции выделения контуров.
Кольцо управления	Назначение нужных функций кольцу управления.
Показ кольца управл.	Установка отображения анимации во время использования кольца управления.
Кнопка Функция	Настройка функций, отображаемых при нажатии кнопки Fn (Функция).
Функция центр. кнопки	Назначение нужных функций центральной кнопке.
Функция левой кнопки	Назначение нужных функций левой кнопке.
Функция прав. кнопки	Назначение нужных функций правой кнопке.
Помощь для РФ	Отображение увеличенного изображения при ручной фокусировке.
Время увелич. фокус.	Выбор интервала времени, в течение которого отображается увеличенное изображение.
След. фок. с приор.лиц	Установка отслеживания лиц в качестве приоритета во время отслеживания.
Регистрация лиц	Сохранение или изменение человека, которому отдается приоритет во время фокусировки.

RU

▶ Меню воспроизведения

Выб. фото./видео	Выбор формата отображения для изображений.
Удалить	Удаление изображения.
Слайд-шоу	Отображение слайд-шоу.
Индекс изображ.	Одновременное воспроизведение нескольких изображений.
3D-просмотр	Выполняет подключение к телевизору, совместимому с форматом 3D, и позволяет просматривать вам изображения в формате 3D.
Защита	Защита изображений.
Укажите печать	Добавление метки команды печати к фотоснимку.
Эффект рисунка	Добавление к изображениям различных текстур.
Параметры громк.	Регулировка громкости.
Дисп.реж.воспр.	Установка воспроизведения изображения, снятого в портретном режиме.

■ Меню карты памяти

McGrp.Ru

Форматировать	Форматирование карты памяти.
Номер файла	Выбор способа нумерации файлов фотоснимков и видеозаписей.
Выбор папк. записи	Изменение выбранной папки для хранения изображений.
Создать папку	Создание новой папки для хранения фотоснимков и видеозаписей (MP4).
Восстан. БД изобр.	Восстановление файла базы изображений и возобновление возможности записи и воспроизведения.
Показ. пам. карты	Отображение оставшегося времени записи видео и количества доступных для записи фотоснимков на карте памяти.

⌚ Меню установки часов

Настр. даты/врем.	Установка даты, времени и летнего времени.
Часовой пояс	Установка места использования.

🔧 Меню установки

Старт меню	Установка положения по умолчанию курсора в меню на верхнем пункте или последнем выбранном пункте.
Справ. диска выб. реж.	Включение или выключение справки диска выбора режимов (пояснения для каждого режима съемки).
Яркость ЖКД	Установка яркости экрана.
Время нач. энергозбер.	Выбор интервала времени до автоматического выключения фотоаппарата.
Разрешение HDMI	Установка разрешения при подсоединении фотоаппарата к телевизору HDMI.
КОНТР. ПО HDMI	Управление фотоаппаратом с телевизора, поддерживающего "BRAVIA" Sync.
Парам. Выгрузки*	Установка функции выгрузки при использовании с фотоаппаратом карты Eye-Fi.
USB-соединение	Выбор способа выполнения соединения USB.
Настройка USB LUN	Установка режима при подсоединении фотоаппарата к компьютеру с помощью соединения USB.
USB питание	Установка подачи питания с помощью соединения USB.
Звуковые сигн.	Установка звука срабатывания фотоаппарата.
Модель	Отображение версии ПО фотоаппарата.
Язык	Выбор языка.
Сенсор падения	Установка функции [Сенсор падения].
Демонстр. режим	Включение или выключение воспроизведения демонстрации.
Инициализац.	Возврат к значениям параметров по умолчанию.

* Появляется, если в фотоаппарат вставлена карта Eye-Fi (продается отдельно).

RU

Установка “PlayMemories Home” (Windows)

Встроенная программа “PlayMemories Home” позволяет импортировать фотоснимки и видеозаписи в компьютер и использовать их.

Вы можете снимать или воспроизводить изображения на данном фотоаппарате даже без установки программы “PlayMemories Home”, однако, программа “PlayMemories Home” необходима для импорта видеозаписей AVCHD в компьютер.

- 1 Подключите фотоаппарат к компьютеру.
- 2 Windows 7: [Компьютер] → значок фотоаппарата → значок носителя → дважды щелкните [PMHOME.EXE]
Windows XP/Vista: [Компьютер] (в Windows XP, [Мой компьютер]) → [PMHOME] → Дважды щелкните [PMHOME.EXE]
- 3 Следуйте инструкциям, появляющимся на экране, для завершения установки.

Примечания

- Программа “PlayMemories Home” несовместима с Mac OS. При воспроизведении изображений на компьютере Mac используйте программное обеспечение, установленное на компьютере Mac. Для получения подробных сведений посетите веб-сайт по следующему URL-адресу:
<http://www.sony.co.jp/imsoft/Mac/>

■ Функции программы “PlayMemories Home”

Ниже приведены примеры функций, доступных при использовании программы “PlayMemories Home”. Для использования преимуществ различных функций программы “PlayMemories Home” подключитесь к интернету и установите параметр “Дополнительная функция”.

- Вы можете импортировать на компьютер фотоснимки, снятые с помощью фотоаппарата, и отображать их.
- Вы можете отображать изображения, хранящиеся в компьютере, по дате съемки на экране календаря.
- Вы можете выполнять коррекцию фотоснимков (коррекцию эффекта красных глаз и т.п.), печатать изображения, отправлять их по электронной почте и изменять дату и время съемки.
- Вы можете сохранить и напечатать изображения с датой.
- Вы можете создать диск из видеозаписей AVCHD, импортированных в компьютер. (Дополнительная функция)

RU

Установка “Image Data Converter”

“Image Data Converter” позволяет получать изображения в формате RAW.

McGrp.Ru

- 1 Загрузите программу со следующего URL-адреса и установите ее на компьютере.

Windows: <http://www.sony.co.jp/imsoft/Win/>

Mac: <http://www.sony.co.jp/imsoft/Mac/>

■ Функции программы “Image Data Converter”

Ниже приведены примеры функций, доступных при использовании программы “Image Data Converter”.

- Вы можете редактировать изображения в формате RAW с помощью нескольких функций коррекции, например, градационной кривой или резкости.
- Вы можете выполнять регулировку изображений с помощью баланса белого, диафрагмы, функции Творческий стиль и т.д.
- Вы можете сохранять отображенные и отредактированные фотоснимки на компьютере.

Существует два способа сохранения изображений в формате RAW: сохранить и оставить в виде данных RAW или сохранить в универсальном формате файлов.

RU
27

- Вы можете отображать и сравнивать изображения в формате RAW/JPEG, снятые с помощью данного фотоаппарата.
- Вы можете разделить изображения по категориям на пять уровней.
- Вы можете установить цветовую метку.

Подробные сведения приведены в Справке “Image Data Converter”. Выберите пункт [Пуск] → [Все программы] → [Image Data Converter] → [Справка] → [Image Data Converter Ver.4].

Страница поддержки “Image Data Converter” (только на английском языке)

<http://www.sony.co.jp/ids-se/>

Количество фотоснимков и время видеозаписи

Количество фотоснимков и время записи может быть разным в зависимости от условий съемки и карты памяти.

■ Фотоснимка

Размер изобр.: L: 20M

Если опция [Формат] установлена в положение [3:2]*

Емкость		2 Гб
Качество		
Стандартное	295 изображений	
Высокое	170 изображений	
RAW и JPEG	58 изображений	
RAW	88 изображений	

* Если опция [Формат] установлена в положение, отличное от [3:2], вы можете записать больше изображений, чем показано выше. (Кроме случая, когда опция [Качество] установлена в положение [RAW].)

■ Видеосъемка

В таблице внизу представлена приблизительная максимальная продолжительность записи. Это общее время для всех видеофайлов. Непрерывная видеосъемка возможна в течение приблизительно 29 минут. Максимальный размер видеофайла в формате MP4 составляет приблизительно до 2 Гб.

(h (часы), m (минуты))

Параметры записи \ Емкость	2 Гб
60i 24M(FX)/50i 24M(FX)	10 m
60i 17M(FH)/50i 17M(FH)	10 m
60p 28M(PS)/50p 28M(PS)	9 m
1440×1080 12M	15 m
VGA 3M	1 h 10 m

- Доступное для записи время видеосъемки изменяется, поскольку фотоаппарат оснащен системой VBR (переменная скорость передачи битов), которая автоматически регулирует качество изображения в зависимости от сцены съемки. При записи быстро движущихся объектов изображение остается четким, однако доступное для записи время будет меньше, так как для записи требуется больше памяти. Доступное для записи время также изменяется в зависимости от условий съемки, объекта или настроек качества/размера изображения.

Примечания по использованию фотоаппарата

Встроенные функции фотоаппарата

- В данном руководстве приведено описание 1080 60i-совместимых и 1080 50i-совместимых устройств.
Чтобы проверить, является ли фотоаппарат 1080 60i-совместимым устройством или 1080 50i-совместимым устройством, проверьте следующие метки на нижней стороне фотоаппарата.
1080 60i-совместимое устройство: 60i
1080 50i-совместимое устройство: 50i

- Этот фотоаппарат совместим с видеозаписями в формате 1080 60р или 50р. В отличие от стандартных режимов записи, применявшихся до настоящего времени, в которых для записи использовался чересстрочный метод, в этом фотоаппарате для записи используется прогрессивный метод. Это позволяет повысить разрешение и получить более четкое и более реалистичное изображение.

Использование и уход

Обращайтесь с изделием осторожно, не разбирайте и не модифицируйте его, не подвергайте его ударным и другим нагрузкам: не стучите по нему, не роняйте его, а также не наступайте на него. Будьте особенно осторожны с объективом.

Примечания о записи/воспроизведении

- Перед началом записи выполните пробную запись, чтобы убедиться в надлежащей работе фотоаппарата.
- Данный фотоаппарат не является ни пыленепроницаемым, ни брызгозащищенным, ни водонепроницаемым.
- Избегайте попадания на фотоаппарат воды. Попадание воды внутрь фотоаппарата может привести к его неисправности. В некоторых случаях фотоаппарат невозможно отремонтировать.
- Не направляйте фотоаппарат на солнце или другой яркий свет. Это может привести к неисправности фотоаппарата.

McGrp.Ru

- В случае конденсации влаги удалите ее перед использованием фотоаппарата.
- Не трясите фотоаппарат или не стучите по нему. Это может привести к неисправности, и запись фотоснимков станет невозможной. Более того, может испортиться носитель информации или могут повредиться данные фотоснимков.

Не используйте/храните фотоаппарат в следующих местах

- В чрезмерно жарком, холодном или влажном месте
В таких местах, как, например, в автомобиле, припаркованном под прямыми лучами солнца, корпус фотоаппарата может деформироваться, и это может привести к неисправности.
- Хранение под прямым солнечным светом или возле обогревателя
Корпус фотоаппарата может обесцветиться или деформироваться, и это может привести к неисправности.
- В месте, подверженном качающей вибрации
- Вблизи генераторов сильных радиоволн или источников излучения, а также в местах с сильными магнитными полями. В противном случае фотоаппарат может неправильно выполнять запись или воспроизведение фотоснимков.
- В местах с повышенным содержанием песка или пыли
Будьте осторожны, чтобы не допустить попадания песка или пыли в фотоаппарат. Это может привести к неисправности фотоаппарата, и в некоторых случаях эта неисправность не может быть устранена.

О переноске

Не садитесь на стул или другое место, если фотоаппарат находится в заднем кармане Ваших брюк или юбки, так как это может привести к неполадкам или поломке фотоаппарата.

Объектив Carl Zeiss

Фотоаппарат оснащен объективом Carl Zeiss, который позволяет воспроизводить четкие изображения с высокой контрастностью. Объектив данного фотоаппарата изготовлен в соответствии с системой гарантии качества, сертифицированной компанией Carl Zeiss, согласно стандартам Carl Zeiss в Германии.

Примечания относительно экрана

Экран изготовлен с использованием особо высокоточной технологии, что позволяет при эксплуатации эффективно использовать свыше 99,99% пикселей. Однако на экране могут появляться маленькие темные и/или светлые точки (белого, красного, синего или зеленого цвета). Такие точки являются результатом производственного процесса и никаким образом не влияют на запись.

Примечания относительно вспышки

- Не переносите фотоаппарат, держа его за вспышку, и не прилагайте к ней чрезмерное усилие.
- Попадание воды, пыли или песка в открытую вспышку может привести к неисправности.

О температуре фотоаппарата

Фотоаппарат и батарея могут нагреваться в результате продолжительного использования, но это не является неисправностью.

О защите от перегрева

В зависимости от температуры фотоаппарата и батареи видеосъемка может быть невозможна, или питание может выключаться автоматически для защиты фотоаппарата.

Перед выключением питания или перед тем, как станет невозможна видеосъемка, на экране появится сообщение. В этом случае оставьте питание выключенным и подождите, пока температура фотоаппарата и батареи не снизится до приемлемого уровня. При включении питания не остывшего в достаточной степени фотоаппарата или батареи, питание может отключиться снова или выполнение видеосъемки может стать невозможным.

О заряде батареи

При зарядке батареи, которая не использовалась в течение длительного времени, зарядить ее до надлежащей емкости может быть невозможно. Это связано с характеристиками батареи и не является неисправностью. Зарядите батарею еще раз.

Предупреждение об авторских правах

На телевизионные программы, фильмы, видеоленты и другие материалы может распространяться авторское право. Неправомочная перезапись таких материалов может противоречить положениям закона об авторском праве.

За повреждение информации или сбой при записи не предусмотрено никакой компенсации

Фирма Sony не может компенсировать убытки, вызванные сбоем при записи, потерей или повреждением записанной информации вследствие неисправности фотоаппарата или носителя информации и т.д.

Чистка поверхности фотоаппарата

Очищайте поверхность фотоаппарата мягкой тканью, слегка смоченной водой, а затем протирайте поверхность сухой тканью. Чтобы не повредить отделку или корпус:

- Не подвергайте фотоаппарат воздействию химических веществ, таких как разбавитель, бензин, спирт, одноразовые салфетки, жидкость от насекомых, солнцезащитный крем или инсектицид.

Технические характеристики

Фотоаппарат

[Система]

Формирователь изображения:

13,2 мм × 8,8 мм (тип 1,0)

CMOS-сенсор Exmor

Общее количество пикселей
фотоаппарата:

Приблиз. 20,9 мегапикселей

Число эффективных пикселей
фотоаппарата:

Приблиз. 20,2 мегапикселей

Объектив: Carl Zeiss Vario-Sonnar

T* 3,6-кратный вариообъектив

f = 10,4 мм – 37,1 мм (28 мм –

100 мм (эквивалент

фотоплёнки 35 мм))

F1,8 (W) – F4,9 (T)

При видеосъёмке в формате

(16:9): 29 мм – 105 мм*

При видеосъёмке в формате

(4:3): 36 мм – 128 мм*

* Если опция [SteadyShot]

установлена в положение

[Стандартный]

SteadyShot: Оптическая

Управление экспозицией:

Автоматическая экспозиция,

приоритет диафрагмы,

приоритет затвора, ручная

экспозиция, выбор сцены

(13 режимов)

Баланс белого: Автоматический,

Дневной свет, Тень, Облачно,

Лампа накали.,

Флуоресцентный (Тепл.

белый/Хол. белый/Днев.

белый/Дневной свет),

Вспышка, Цветовая

температура/Цветной фильтр,

Пользоват.

Формат сигнала:

Для 1080 50i:

Система цветности PAL,

стандартное CCIR формат

HDTV 1080/50i, 1080/50p

Для 1080 60i:

Система цветности NTSC,

стандартное EIA формат

HDTV 1080/60i, 1080/60p

Формат файла:

Фотоснимка: Совместимые с

JPEG (DCF, Exif, MPF

Baseline), совместимые с

DPOF

Видеозапись (формат

AVCHD): Поддержка

формата AVCHD версии 2.0

Видео: MPEG-4 AVC/H.264

Звук: Dolby Digital 2 канала с

встроенной технологией Dolby

Digital Stereo Creator

•Изготовлено по лицензии

компании Dolby Laboratories.

Видеозапись (формат MP4):

Видео: MPEG-4 AVC/H.264

Звук: MPEG-4 AAC-LC

2 канала

RU

Носитель записи: “Memory Stick Duo”, “Memory Stick Micro”, карты SD, карты памяти microSD

Вспышка: Диапазон действия вспышки (чувствительность ISO (рекомендуемый индекс экспозиции) установлен в положение Авто): Приблиз. 0,3 м до 17,1 м (W)
Приблиз. 0,55 м до 6,3 м (T)

[Входные и выходные разъемы]

Разъем HDMI: Микрогнездо HDMI
Разъем micro USB: Соединение USB
Соединение USB: Hi-Speed USB (USB 2.0)

[Экран]

Экран ЖКД:
Привод TFT 7,5 см (тип 3,0)
Общее количество точек:
1 228 800 точек

[Питание, общая информация]

Питание: Перезаряжаемый батарейный блок NP-BX1, 3,6 В
Адаптер переменного тока AC-UD10/UD11, 5 В
Потребляемая мощность (во время съемки): 1,5 Вт
Рабочая температура:
от 0 °С до 40 °С

Температура хранения:
от -20 °С до +60 °С
Размеры (по стандарту CIPA):
101,6 мм × 58,1 мм × 35,9 мм (Ш/В/Г)
Масса (по стандарту CIPA) (включая батарейный блок NP-BX1, “Memory Stick Duo”):
Приблиз. 240 г
Микрофон: Стерео
Громкоговоритель:
Монофонический
Exif Print: Совместимый
PRINT Image Matching III:
Совместимый

Адаптер переменного тока AC-UD10/UD11

Требования к питанию: от 100 В до 240 В переменного тока, 50 Гц/60 Гц, 0,2 А

Выходное напряжение: 5 В постоянного тока, 1 500 мА
Рабочая температура: от 0 °С до 40 °С

Температура хранения:
от -20 °С до +60 °С

Размеры:
AC-UD10: Приблиз. 78 мм × 22 мм × 36 мм (Ш/В/Г)
AC-UD11: Приблиз. 70 мм × 33 мм × 36 мм (Ш/В/Г)

Масса:
AC-UD10: Приблиз. 45 г
AC-UD11: Приблиз. 50 г

Класс защиты от поражения электрическим током II

McGrip.RU

Перезаряжаемый батареяный блок NP-VX1

Используемая батарея: Батарея
на литиевых ионах

Максимальное напряжение: 4,2 В
постоянного тока

Номинальное напряжение: 3,6 В
постоянного тока


Максимальное напряжение
зарядки: 4,2 В постоянного
тока

Максимальный ток зарядки:
1,89 А

Емкость: 4,5 Втч (1 240 мАч)

Конструкция и технические
характеристики могут быть
изменены без уведомления.

Торговые марки

- Следующие знаки являются торговыми марками Sony Corporation.
Cyber-shot, “Cyber-shot,” “Memory Stick PRO Duo,” “Memory Stick PRO-HG Duo,” “Memory Stick Duo,” “Memory Stick Micro”
- “AVCHD Progressive” и логотип “AVCHD Progressive” являются товарными знаками Panasonic Corporation и Sony Corporation.
- Windows является зарегистрированным товарным знаком Microsoft Corporation в Соединенных Штатах Америки и/или других странах.
- Mac и Mac OS являются зарегистрированными товарными знаками Apple Inc.
- Логотип SDXC является товарным знаком SD-3C, LLC.
- “” и “PlayStation” являются зарегистрированными товарными знаками Sony Computer Entertainment Inc.
- Кроме того, названия систем и изделий, используемые в данном руководстве, являются в общем случае торговыми марками или зарегистрированными торговыми марками их соответствующих разработчиков или производителей. Однако, знаки ™ или ® используются не во всех случаях в данном руководстве.

RU

McGrp.Ru



RU
35

- Получите дополнительные возможности с PlayStation 3, загрузив приложение для PlayStation 3 из PlayStation Store (где доступно).
- Приложение для PlayStation 3 требует учетную запись PlayStation Network и загрузку приложения. Доступно в областях, где доступно приложение PlayStation Store.

Дополнительная информация по данному изделию и ответы на часто задаваемые вопросы могут быть найдены на нашем веб-сайте поддержки покупателей.

<http://www.sony.net/>

Напечатано на бумаге, изготовленной на 70% и более из бумажных отходов, с использованием печатной краски на основе растительного масла без примесей ЛОС (летучих органических соединений).

McGrp.Ru

Изготовитель: Сони Корпорейшн
 Адрес: 1-7-1 Конан, Минато-ку, Токио, 108-0075 Япония
 Страна-производитель: Китай

Импортер на территории РФ:
 ЗАО "Сони Электроникс", 123103, Москва, Карамышевский проезд, 6, Россия

Название и адрес организации, принимающей претензии от покупателей в России:
 ЗАО "Сони Электроникс", 123103, Москва, Карамышевский проезд, 6,

Название и адрес организации, принимающей претензии от покупателей в Казахстане:
 Сони Оверсиз С.А.
 Представительство в Казахстане
 050059 Алматы, улица Иванилова, д. 58
 050059 Алматы қаласы, Иванилов көшесі, 58 үй

McGrp.Ru

Докладніше про фотоапарат («Посібник користувача Cyber-shot»)



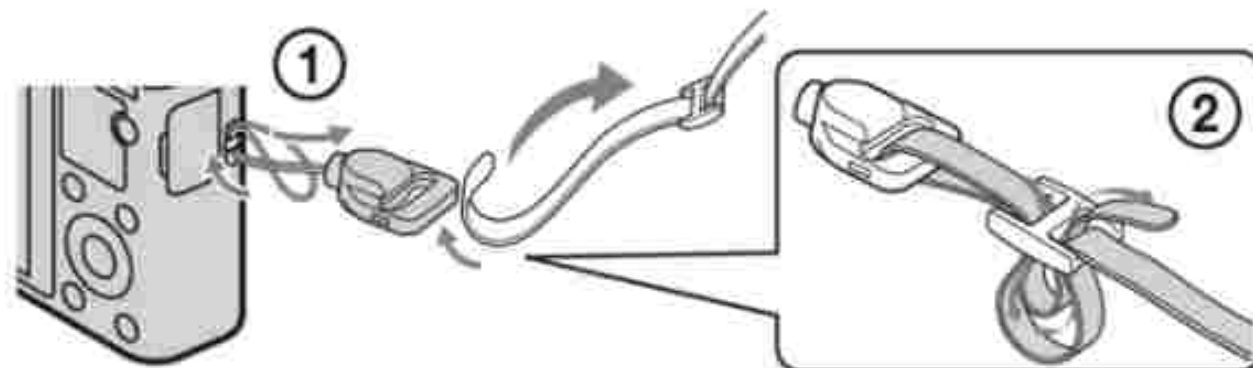
«Посібник користувача Cyber-shot» – це інтерактивний онлайн-посібник. У ньому можна отримати детальні вказівки до багатьох функцій фотоапарата.

- ① Зайдіть на сторінку підтримки Sony.
<http://www.sony.net/SonyInfo/Support/>
- ② Виберіть свою країну або регіон.
- ③ Увійшовши на сторінку підтримки, запустіть пошук за назвою моделі свого фотоапарата.
 - Назву моделі можна знайти на наклейці знизу фотоапарата.

Перевірка комплектації

Число в дужках вказує на кількість штук.

- Фотоапарат (1)
- Акумуляторна батарея NP-BX1 (1)
- Кабель із роз'ємом мікро-USB (1)
- Адаптер змінного струму AC-UD10/UD11 (1)
- Шнур живлення (не додається для моделей, призначених для США і Канади) (1)
- Ремінець на зап'ясток (1)
- Адаптер для ремня на плече (2)
(Регулятор для плечового ремня використовується для закріплення плечового ремня (продається окремо), як показано на малюнку.)



- Посібник з експлуатації (цей посібник) (1)

ПОПЕРЕДЖЕННЯ

Щоб знизити ризик займання або ураження електричним струмом, не піддавайте виріб впливу дощової води або вологи.

ВАЖЛИВІ ВКАЗІВКИ З ТЕХНІКИ БЕЗПЕКИ -ЗБЕРЕЖІТЬ ЦЮ ІНСТРУКЦІЮ НЕБЕЗПЕКА ЩОБ ЗМЕНШИТИ РИЗИК ВИНИКНЕННЯ ПОЖЕЖІ АБО УРАЖЕННЯ ЕЛЕКТРИЧНИМ СТРУМОМ, СЛІД РЕТЕЛЬНО ВИКОНУВАТИ ЦІ ВКАЗІВКИ

Якщо форма штекера не відповідає розміру розетки, користуйтеся перехідником потрібної конфігурації.

UA

УВАГА!

McGrp.Ru

Акумуляторна батарея

Якщо неправильно поводитися з акумуляторною батареєю, вона може вибухнути, спричинити пожежу або навіть викликати хімічні опіки.

Дотримуйтеся наведених нижче застережень.

- Не розбирайте акумуляторну батарею.
- Не роздавлюйте, не бийте та не прикладайте силу до акумуляторної батареї. Не бийте її молотком, не кидайте та не наступайте на неї.
- Не замикайте контакти акумуляторної батареї та запобігайте потраплянню між ними металевих предметів.
- Не піддавайте акумуляторну батарею дії температури понад 60 °C, наприклад під впливом прямих сонячних променів у припаркованому автомобілі.
- Не підпалюйте акумуляторну батарею та не кидайте її у вогонь.
- Не торкайтеся пошкодженої літій-іонної батареї або такої, з якої витікає рідина.
- Заряджайте акумуляторну батарею, лише використовуючи оригінальний зарядний пристрій Sony або пристрій, який може заряджати акумуляторні батареї.
- Тримайте акумуляторну батарею поза досяжністю маленьких дітей.
- Тримайте акумуляторну батарею сухою.

- Замініть акумуляторну батарею лише на таку саму або еквівалентну, яку рекомендує компанія Sony.
- Швидко утилізуйте використані акумуляторні батареї, як описано в інструкціях.

Адаптер змінного струму

Підключіть адаптер змінного струму до найближчої настінної розетки. Якщо під час користування адаптером змінного струму виникне якась проблема, негайно відключіть живлення, вийнявши штепсель із розетки.

За наявності в комплекті кабелю живлення його слід використовувати лише з цим фотоапаратом. Він не призначений для використання з іншими електронними пристроями.

Дата виготовлення виробу.

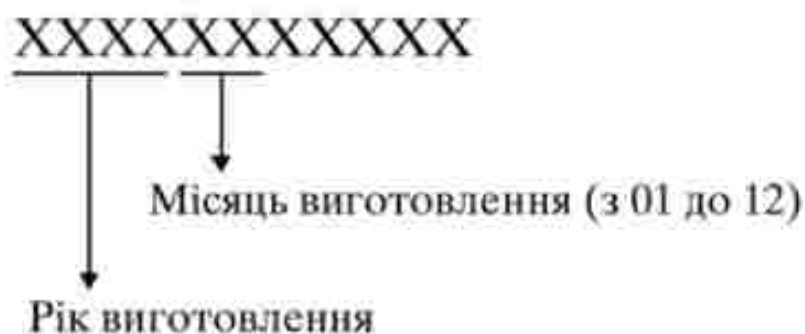
Дата виготовлення виробу зазначена на позначці «P/D:», яка знаходиться на етикетці зі штрих-кодом на картонній коробці.

Знаки, зазначені на етикетці зі штрих-кодом на картонній коробці.

P/D:XX XXXX
 1 2

1. Місяць виготовлення *McGrp.Ru*
2. Рік виготовлення
 A-0, B-1, C-2, D-3, E-4, F-5, G-6, H-7, I-8, J-9.

Рік та місяць виробництва літєво-іонного батарейного блоку проштамповані на боковій поверхні або на поверхні з етикеткою.



Для споживачів з Європи

Примітка для покупців у країнах, де діють директиви ЄС

Цей виріб виготовлено компанією Sony Corporation, 1-7-1 Konan Minato-ku Tokyo, 108-0075 Japan (Японія). Уповноваженим представником з питань електромагнітної сумісності та безпеки виробу є компанія Sony Deutschland GmbH, Hedelfinger Strasse 61, 70327 Stuttgart, Germany (Німеччина). З будь-яких питань стосовно обслуговування або гарантії звертайтеся за адресами, наданими в окремій сервісній та гарантійній документації.

Результати випробувань цього виробу демонструють його відповідність вимогам щодо обмежень, зазначених у директиві EMC, які стосуються використання з'єднувальних кабелів коротших за 3 м.

Увага

На відповідних частотах електромагнітні поля можуть впливати на якість зображення і звука, відтворюваних виробом.

Примітка

Якщо під впливом статичної електрики або електромагнітного поля процес передачі даних буде перерваний, перезавантажте пристрій або від'єднайте та повторно приєднайте кабель, що використовується для передачі даних (USB, тощо).

Утилізація старого електричного та електронного обладнання (застосовується в Європейському союзі та інших європейських країнах із системами роздільного збирання сміття)



Цей символ на виробі або на упаковці означає, що цей виріб не можна утилізувати як побутове сміття. Замість цього його потрібно здати до відповідного приймального пункту для вторинної обробки електричного та електронного обладнання. Забезпечивши належну утилізацію цього виробу, ви допоможете запобігти негативним наслідкам для навколишнього середовища та людського здоров'я, до яких могла б призвести неправильна утилізація цього виробу. Вторинна переробка матеріалів допоможе зберегти природні ресурси. Щоб отримати докладнішу інформацію щодо вторинної переробки цього виробу, зверніться до місцевих органів влади, до служби утилізації побутових відходів або до магазину, де було придбано цей виріб.

І Переробка використаних елементів живлення (директива діє у межах країн Європейського Союзу та інших країн Європи зі системами роздільного збору відходів)



Даний знак на елементі живлення або упаковці означає, що елемент живлення, який використовується для роботи цього пристрою, не можна утилізувати разом з іншими побутовими відходами.

На деяких елементах живлення цей знак може використовуватись у комбінації з позначенням хімічного

елементу. Якщо елемент живлення містить більше ніж 0,0005% ртуті або 0,004% свинцю, наводиться відповідне позначення хімічного елементу ртуті (Hg) або свинцю (Pb).

Забезпечивши належну переробку використаних елементів живлення, ви допоможете запобігти потенційно негативним наслідкам впливу на зовнішнє середовище та людське здоров'я, які спричиняються невідповідною переробкою елементів живлення. Вторинна переробка матеріалів сприяє збереженню природних ресурсів.

При роботі пристроїв, для яких із метою безпеки, виконання яких-небудь дій або збереження наявних у пам'яті пристроїв даних необхідна подача постійного живлення від вбудованого елемента живлення, заміну такого елемента живлення варто робити тільки в уповноважених сервісних центрах.

Для правильної переробки використаних елементів живлення після закінчення терміну їх служби, здавайте їх у відповідний пункт збору електронного й електричного обладнання.

Стосовно використання інших елементів живлення дивіться інформацію в розділі, у якому дані інструкції з безпечного витягнення елементів живлення із пристрою. Здавайте використані елементи живлення у відповідні пункт збору й переробки використаних елементів живлення.

Для одержання більш докладної інформації про вторинну переробку даного виробу або використаного елемента живлення, будь ласка, звертайтеся до органу місцевої адміністрації, служби збору побутових відходів або до магазину, в якому ви придбали виріб.

Інформація для споживачів в Україні

Обладнання відповідає вимогам Технічного регламенту обмеження використання деяких небезпечних речовин в електричному та електронному обладнанні (постанова КМУ від 03.12.2008 № 1057).

Виробник:

Sony Corporation 1-7-1, Konan, Minato-ku, Tokyo, Japan, 108-0075.

Уповноважений представник в Україні:

ТОВ «Соні Україна», вул. Спаська 30, м.Київ, 04070, Україна.



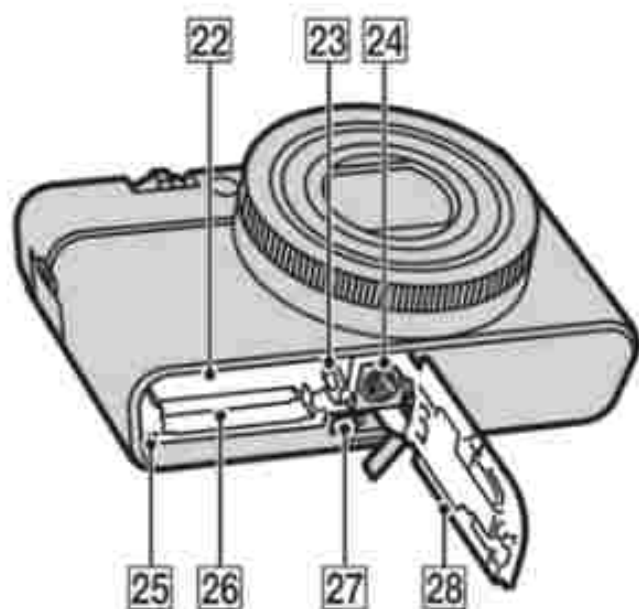
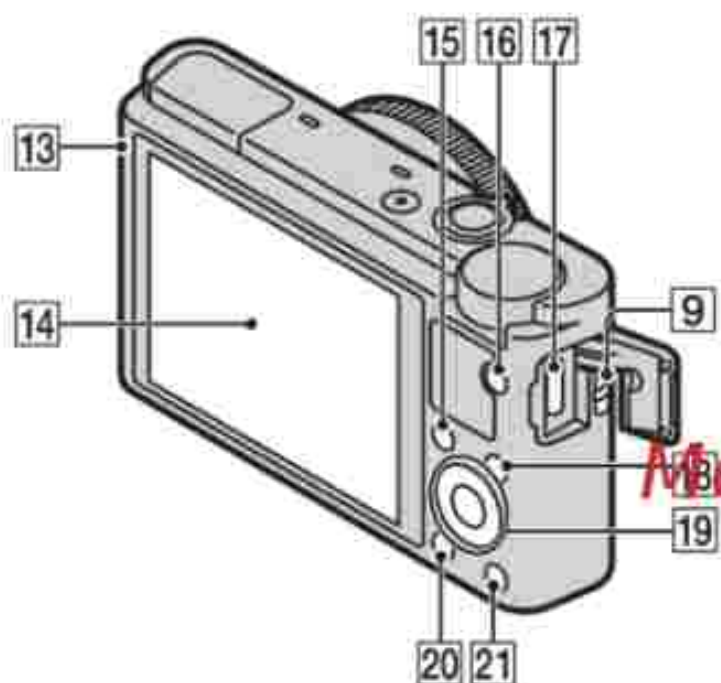
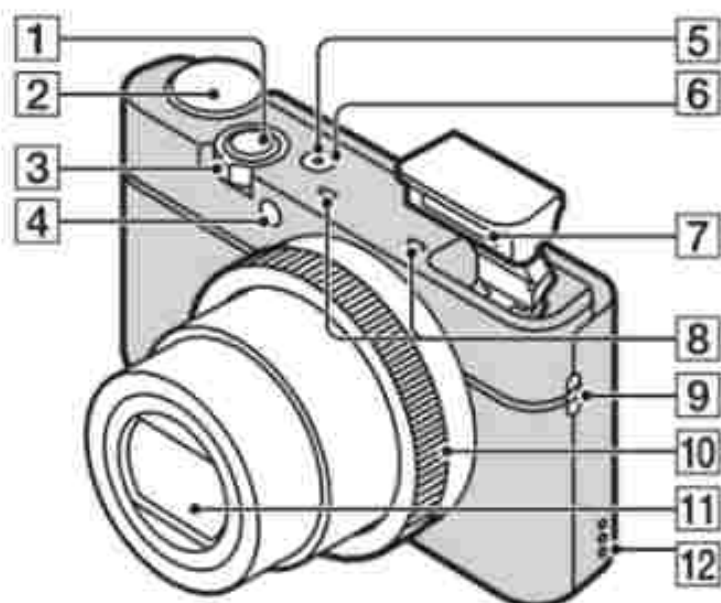
UA



Обладнання відповідає вимогам:

- Технічного регламенту безпеки низьковольтного електричного обладнання (постанова КМУ від 29.10.2009 № 1149)
- Технічного регламенту з електромагнітної сумісності обладнання (постанова КМУ від 29.07.2009 № 785)

McGrp.Ru

Визначення частин

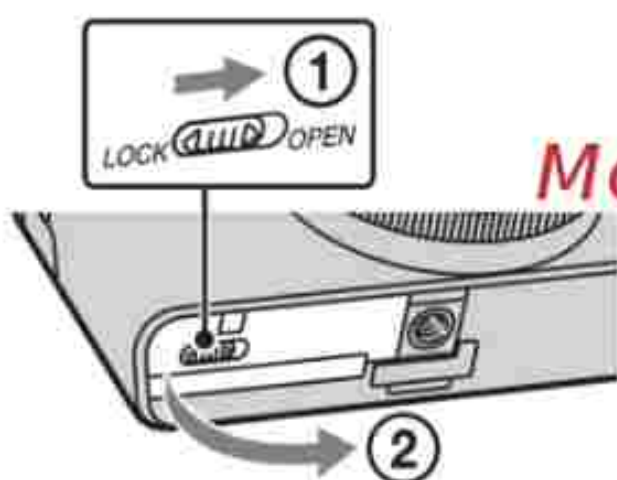


- 1 Кнопка спуску
- 2 Диск перемикання режимів
i (Интеллект. Авто)/
i+ (Супер авторежим)/
P (Программное авто)/
A (Приор. діафрагми)/
S (Приор. выдержки)/
M (Ручной экспозиция)/
MR (Вызов памяти)/
 (Видео)/ (Панорамная
 съемка)/**SCN** (Выбор сцены)
- 3 Для зйомки: Важіль W/T
 (масштабування)
 Для перегляду: Важіль
 режиму перегляду мініатюр/
 наближення зображень, які
 відтворюються
- 4 Індикатор автоспуску/
 Індикатор режиму спуску в
 момент посмішки/Підсвітка
 для автофокуса
- 5 Індикатор живлення/
 заряджання
- 6 Кнопка ON/OFF (живлення)
- 7 Спалах
 - Не накривайте кришку або
 лампу спалаху пальцем.
 - Під час використання спалах
 висувається автоматично.
- 8 Мікрофон
- 9 Гачок для ремінця
- 10 Регулювальне кільце
- 11 Об'єктив
- 12 Гучномовець
- 13 Сенсор світла
- 14 Рідкокристалічний дисплей

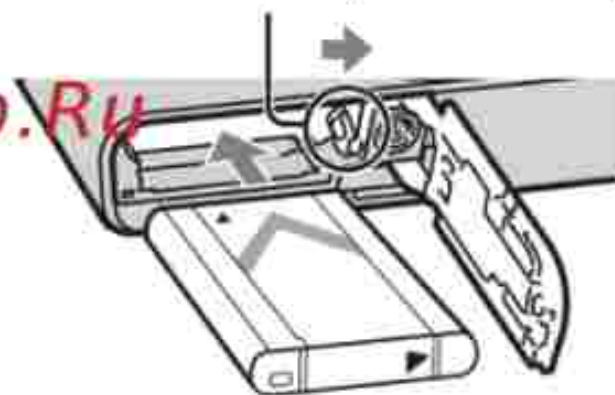
- 15 Fn (кнопка виклику функцій)
- 16 Кнопка MOVIE (відео)
- 17 Роз'єм мікро-USB
- 18 Кнопка MENU
- 19 Диск керування
- 20 Кнопка ► (відтворення)
- 21 ?/⌂ (кнопка довідника функцій фотоапарата/ видалення)
- 22 Відсік для встановлення батареї
- 23 Важіль виштовхування батареї
- 24 Гніздо для під'єднання штатива
 - Використовуйте штатив із довжиною гвинта менше 5,5 мм. На штативі з довшим гвинтом неможливо надійно зафіксувати фотоапарат, що може призвести до його ушкодження.
- 25 Індикатор доступу
- 26 Гніздо для карти пам'яті
- 27 Мікророз'єм HDMI
- 28 Кришка відсіку для батареї/ карти пам'яті

UA

Встановлення батареї



Важіль виштовхування батареї

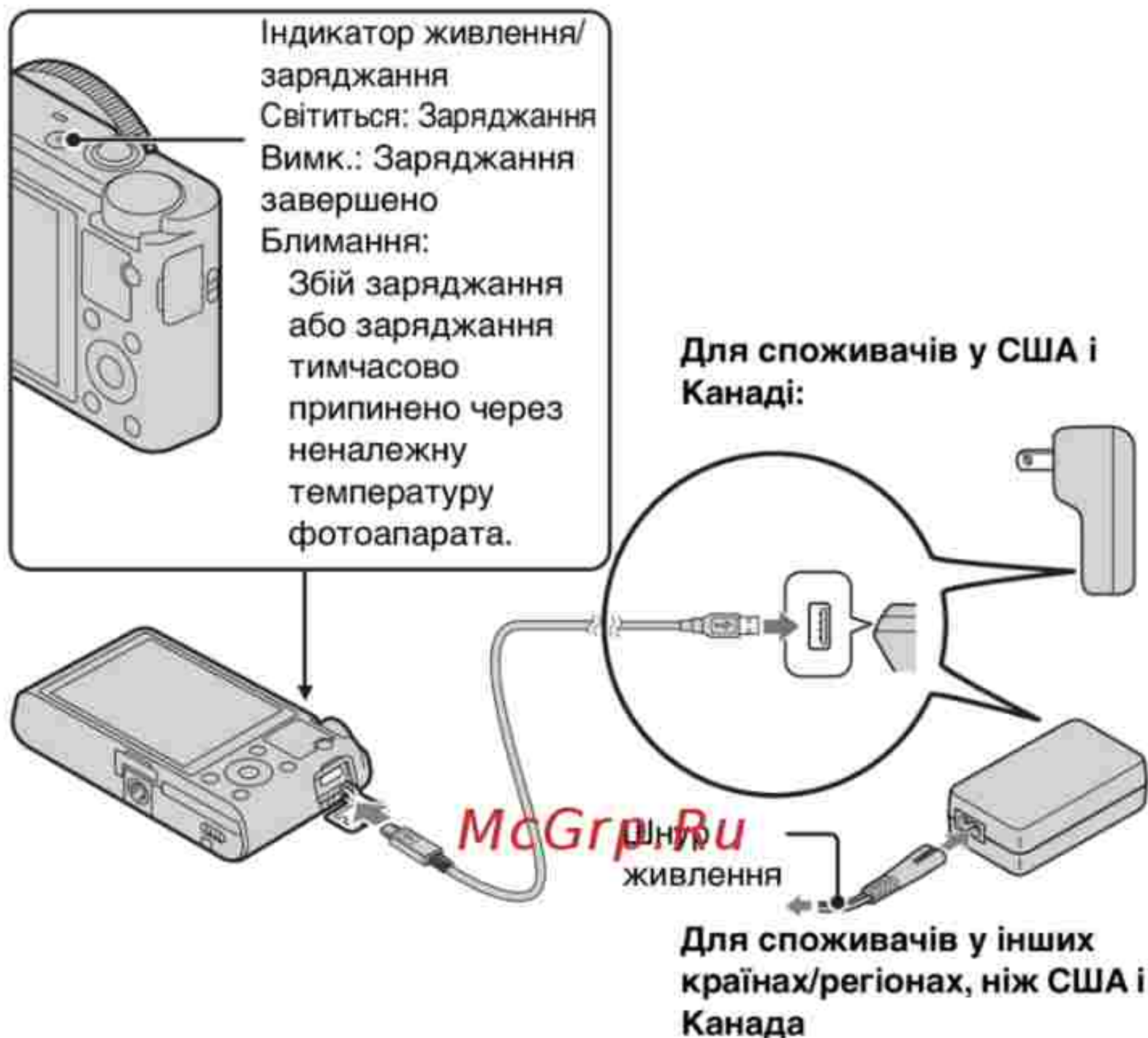


1 Відкрийте кришку.

2 Вставте батарею.

- Натискаючи на важіль виштовхування, вставте батарею, як показано на малюнку. Встановивши батарею, переконайтеся, що важіль виштовхування батареї зафіксовано.
- Якщо закрити неправильно встановлену батарею кришкою, можна пошкодити фотоапарат.

Зарядження батареї



- 1 З'єднайте фотоапарат та адаптер змінного струму (додається), використовуючи кабель із роз'ємом мікро-USB (додається).
- 2 Підключіть адаптер змінного струму до електричної розетки.
Індикатор живлення/зарядження засвітиться оранжевим світлом, і розпочнеться зарядження.
 - Вимкніть фотоапарат під час зарядження батареї.
 - Батарею можна заряджати, навіть якщо вона частково заряджена.
 - Якщо індикатор живлення/зарядження блимає, коли зарядження не завершено, вийміть і встановіть акумуляторну батарею.

Примітки

- Якщо індикатор живлення/заряду на фотоапараті блимає, коли адаптер змінного струму включено в розетку, це свідчить про те, що заряджання тимчасово зупинено унаслідок виходу температури за межі допустимого діапазону. Коли температура повернеться в межі відповідного діапазону, заряджання відновиться. Радимо заряджати батарею за температури середовища від 10 °С до 30 °С.
- Акумулятор може не заряджатися ефективно, якщо його контакти забруднені. У цьому випадку злегка протріть контакти батареї від пилу м'якою тканиною або ватним тампоном.
- Підключіть адаптер змінного струму (додається) до електричної розетки. Якщо під час використання адаптера змінного струму виникне збій у роботі, слід негайно вийняти штекер із розетки, щоб від'єднати живлення.
- По закінченні заряджання від'єднайте адаптер змінного струму від електричної розетки.
- Слід використовувати лише оригінальні батареї, кабель із роз'ємом мікро-USB (додається) та адаптер змінного струму (додається) торгової марки Sony.

UA

■ Тривалість заряджання (повна зарядка)

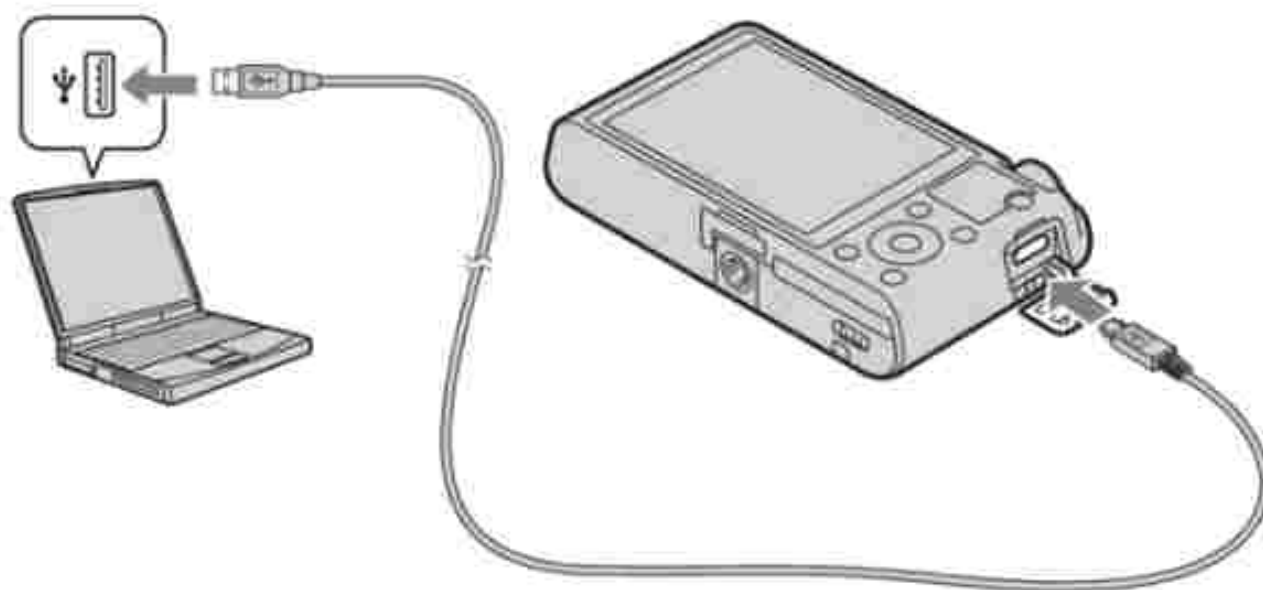
Тривалість заряджання з використанням адаптера змінного струму (додається) становить приблизно 155 хв.

Примітки

- Вищезгаданий час позначає тривалість заряджання повністю розрядженої батареї за температури 25 °С. Залежно від умов використання та обставин, заряджання може тривати довше.

■ Зарядження через підключення до комп'ютера

Батарею можна заряджати, під'єднавши фотоапарат до комп'ютера за допомогою кабелю із роз'ємом мікро-USB.



Примітки

- Заряджаючи пристрій через комп'ютер, зверніть увагу на такі моменти:
 - Якщо фотоапарат під'єднано до ноутбука, який не підключено до електромережі, то рівень заряду батареї ноутбука знижуватиметься. Не заряджайте фотоапарат довше, ніж потрібно.
 - Не вмикайте, не вимикайте і не перезавантажуйте комп'ютер, а також не вмикайте комп'ютер з режиму сну, якщо між комп'ютером та фотоапаратом встановлено з'єднання USB. Це може призвести до збою в роботі фотоапарата. Перед тим як вмикати, вимикати або перезавантажувати комп'ютер, а також вмикати його зі сплячого режиму, від'єднайте фотоапарат від комп'ютера.
 - Зарядження через несерійний або модифікований комп'ютер не гарантується.

■ Тривалість роботи батареї та кількість зображень, які можна записати і відтворити

	Тривалість роботи батареї	Кількість зображень
Зйомка (фотографій)	Прибл. 165 хв.	Прибл. 330 зображень
Перегляд (фотографій)	Прибл. 250 хв.	Прибл. 5000 зображень
Зйомка (відео)	Прибл. 80 хв.	—

Примітки

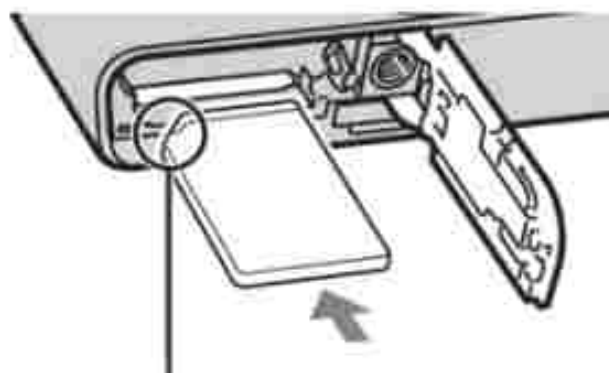
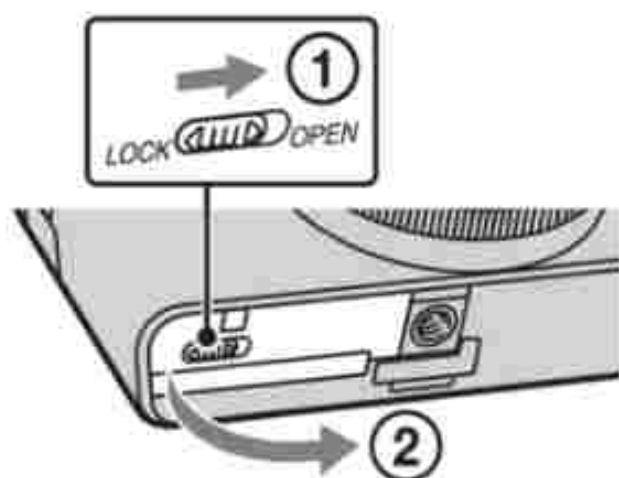
- Вищезгадані значення дійсні лише, якщо батарею заряджено повністю. Залежно від умов використання кількість зображень може бути меншою.
- Згадана кількість зображень, які можна записати, стосується зйомки за поданих нижче умов:
 - Використання карти Sony «Memory Stick PRO Duo» (Mark2) (продається окремо)
 - Батарея використовується за температури середовища 25 °С.
- Кількість зображень у рядку «Зйомка (фотографій)» базується на стандарті CIPA і відповідає зйомці за таких умов:
(CIPA: Camera & Imaging Products Association)
 - DISP налаштовано на [Показати всю инф.].
 - Зйомка кожні 30 секунд.
 - Функція зміни плану по чергово перемикається між кінцевими значеннями W і T.
 - Спалах спрацьовує через раз.
 - Живлення вмикається і вимикається кожний десятий раз.
- Час роботи батареї для зйомки відео відповідає зйомці за таких умов:
 - Параметри записи: 60i 17M(FH)/50i 17M(FH)
 - Якщо відеозйомка припиняється відповідно до встановлених обмежень (29 хвилин), щоб продовжити зйомку, натисніть ще раз кнопку MOVIE (відео). Функції зйомки, зокрема масштабування, будуть недоступними.

■ Живлення

Фотоапарат може живитися від електромережі (настінної розетки) за допомогою адаптера змінного струму (додається) або за допомогою кабелю із роз'ємом мікро-USB (додається). Завдяки цьому можна не перейматися вичерпанням ресурсу батареї під час тривалої зйомки або під час під'єднання фотоапарата до телевізора або комп'ютера.

Зйомка і перегляд при цьому можливі і без батарейного блока.

Встановлення карти пам'яті (продається окремо)



Слідкуйте, щоб надрізаний кут знаходився у правильному положенні.

1 Відкрийте кришку.

2 Вставте карту пам'яті (продається окремо).

- Вставляйте карту пам'яті надрізаним кутом, як показано на малюнку, поки не почується клацання.

3 Закрийте кришку. *McGrp.Ru*

■ Типи карт пам'яті, які можна використовувати

	Карта пам'яті	Для фотознімків	Для відео
A	Memory Stick PRO Duo	✓	✓ (лише для моделей Mark2)
	Memory Stick PRO-HG Duo	✓	✓
	Memory Stick Duo	✓	—
B	Memory Stick Micro (M2)	✓	✓ (лише для моделей Mark2)
C	Карта пам'яті SD	✓	✓ (класу 4 або швидша)
	Карта пам'яті SDHC	✓	✓ (класу 4 або швидша)
	Карта пам'яті SDXC	✓	✓ (класу 4 або швидша)
D	Карта пам'яті microSD	✓	✓ (класу 4 або швидша)
	Карта пам'яті microSDHC	✓	✓ (класу 4 або швидша)

UA

- У цьому посібнику користувача карт пам'яті з таблиці узагальнено називають так:

A: «Memory Stick Duo»

B: «Memory Stick Micro»

C: Карта SD

D: Карта пам'яті microSD

Примітки

- У разі використання із цим фотоапаратом карт пам'яті «Memory Stick Micro» або microSD переконайтеся, що використовуєте відповідний адаптер.

■ Вилучення карти пам'яті/акумуляторної батареї

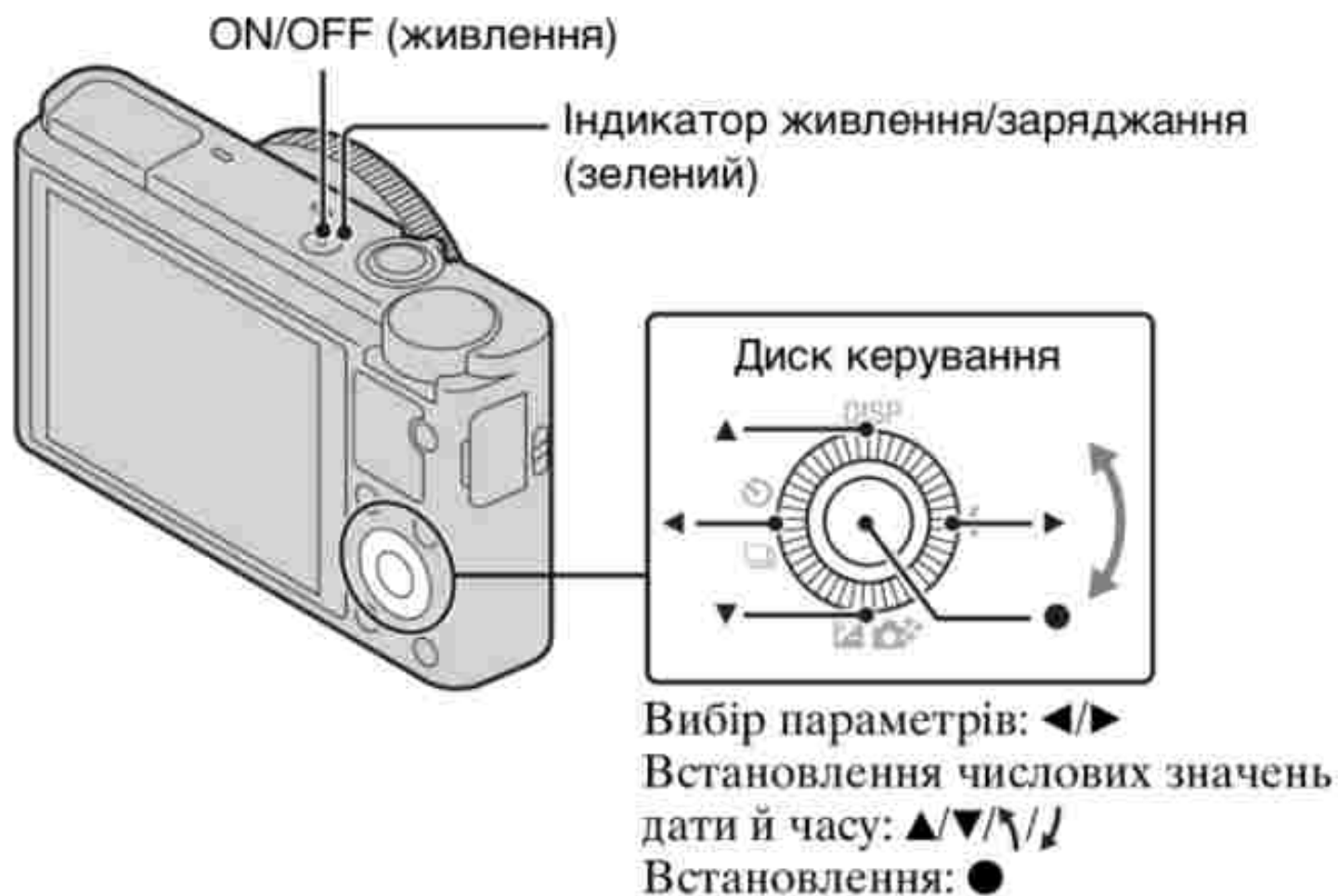
Карта пам'яті: Щоб вийняти карту пам'яті, натисніть на неї один раз.
Батарея: Посуньте важіль виштовхування батареї. Будьте обережними, щоб не впустити батарею.

Примітки

- Ніколи не виймайте карту пам'яті/акумуляторну батарею, якщо індикатор доступу (стор. 8) світиться. Це може призвести до пошкодження даних на карті пам'яті.

UA
15

Налаштування годинника



- 1 Натисніть кнопку ON/OFF (живлення).
Параметри дати й часу відображаються після першого вмикання фотоапарата.
 - Для увімкнення живлення та початку роботи може знадобитися деякий час.
- 2 Перевірте, чи на екрані вибрано [Ввод] і натисніть ● на диску керування.
- 3 Виберіть потрібне географічне розташування, дотримуючись вказівок на екрані, тоді натисніть ●.
- 4 Налаштуйте [Летнее время:], дату і [Формат дати:], а потім натисніть ●.
 - Північ зазначається як 12:00 AM, а полудень як 12:00 PM.
- 5 Перевірте, чи вибрано пункт [Ввод], і натисніть ●.

Фото- та відеозйомка



Фотозйомка

- 1 Щоб виконати фокусування, натисніть кнопку спуску до половини.

Коли зображення сфокусовано, лунає звуковий сигнал і засвічується індикатор ● або (●●).

- 2 Повністю натисніть кнопку спуску, щоб зробити знімок.

Відеозйомка

- 1 Щоб розпочати запис, натисніть кнопку MOVIE (відео).

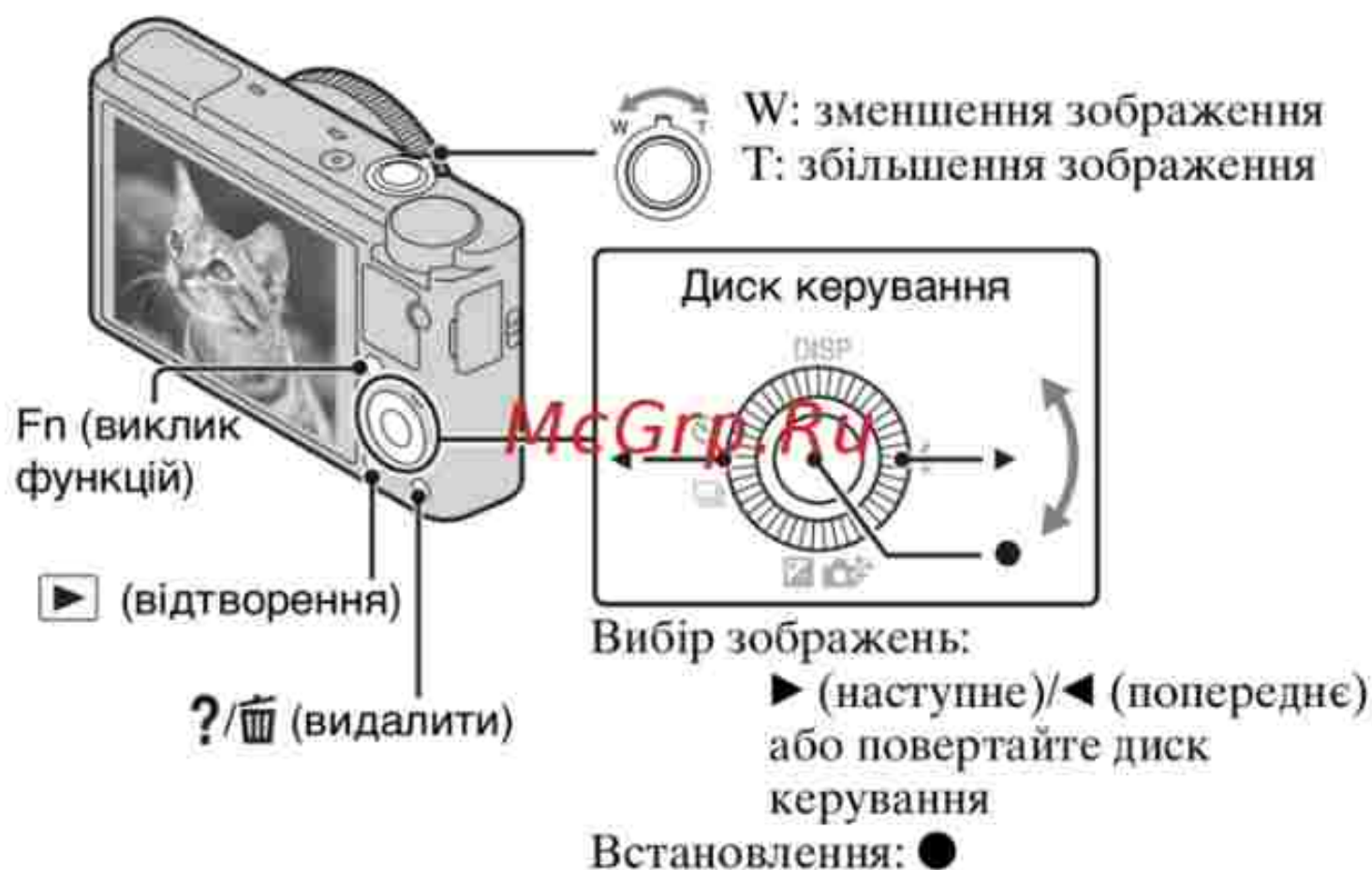
- За допомогою важеля W/T (масштабування) можна наблизити або віддалити зображення.
- Натисніть кнопку спуску, щоб зробити знімок, водночас продовжуючи записувати відео.

- 2 Щоб зупинити запис, натисніть кнопку MOVIE ще раз.

Примітки

- Не витягайте спалах вручну. Це може призвести до несправності.
- У разі використання функції масштабування під час відеозйомки звук, який видає при цьому фотоапарат, буде записано. В момент завершення запису може також бути записано звук роботи кнопки MOVIE.
- Безперервна зйомка можлива приблизно протягом 29 хвилин за раз за умови стандартних налаштувань фотоапарата і температури приблизно 25 °С. Завершивши відеозйомку, можна розпочати новий запис повторним натисненням кнопки MOVIE. Залежно від температури середовища запис може бути зупинено для захисту фотоапарата.

Перегляд зображень



1 Натисніть кнопку ▶ (відтворення).

- Можна перемикає між режимами фотозйомки та відео, вибравши MENU → ▶ 1 → [Выб. фото./відео].

■ Вибір наступного/попереднього зображення

Виберіть зображення, натиснувши ▶ (наступне)/◀ (попереднє) на диску керування або повертаючи диск керування. Для перегляду відео натисніть ● по центру диска керування.

■ Видалення зображення

- ① Натисніть кнопку **?/❌** (видалити).
- ② Виберіть пункт [Удалити] за допомогою **▲** на диску керування, після чого натисніть **●**.

■ Обертання зображення

Натисніть кнопку Fn (виклик функцій).

■ Повернення до режиму зйомки зображень

Натисніть кнопку спуску до половини.

UA

Перегляд довідника

У цьому фотоапараті передбачено вбудований довідник функцій фотоапарата.



Довідник функцій фотоапарата

Фотоапарат відображає пояснення елементів меню і встановлених налаштувань.

- 1 Натисніть кнопку MENU.
- 2 Виберіть потрібний пункт MENU і натисніть кнопку **?/❌** (довідник функцій фотоапарата).

Підказки щодо зйомки

Фотоапарат відображає підказки щодо вибраного режиму зйомки.

- 1 У режимі зйомки натисніть кнопку **?/⌵** (довідник функцій фотоапарата).
- 2 Виберіть потрібну підказку щодо зйомки і натисніть на диску керування **●**.

На екрані відобразиться вибрана підказка.

- Прокручувати екран можна за допомогою кнопок **▲/▼**, а змінювати підказки за допомогою кнопок **◀/▶**.

Знайомство з іншими функціями

Керувати іншими функціями можна за допомогою диска керування, кнопки MENU тощо.



■ Диск керування

DISP (Вид екрана): Зміна відображення екрана.

⚡ (Режим вспьшки): Вибір режиму спалаху для фотозйомки.

☑/📷 (Коррек.експоз./Творческое фото): Регулювання яскравості зображення. Використовується для налаштування параметрів [Разм. фона], [Яркость], [Цвет], [Интенсивность] та [Эффект рисунка] у режимі зйомки [Интеллект. Авто] або [Супер авторежим].

🕒/📷 (Режим протяжки): Режими автоспуску та пакетної зйомки.

● (Следящ. фокусир.): Фотоапарат відстежує об'єкт і автоматично налаштовує фокус, навіть коли об'єкт зйомки рухається.

■ Fn (кнопка виклику функцій)

Дає змогу налаштувати і зберегти сім функцій для подальшого використання під час зйомки.

- ① Натисніть кнопку Fn (виклик функцій).
- ② Виберіть потрібну функцію за допомогою кнопки Fn (виклик функцій) або кнопки ◀/▶ на диску керування.
- ③ Виберіть потрібне налаштування за допомогою диска керування або регулювального кільця.

■ Регулювальне кільце

Для регулювального кільця можна присвоювати улюблені функції і під час зйомки змінювати їх налаштування, просто повертаючи кільце.

UA

■ Пункти меню

📷 Меню фотозйомки

Размер изобр.	Вибір розміру знімків.
Формат	Вибір формату знімків.
Качество	Налаштування якості зображення знімків.
Панорама: размер	Вибір розміру панорамних знімків.
Панорама: направл.	Налаштування напрямку зйомки для панорамних фото.
Режим протяжки	Налаштування режиму роботи шторки, наприклад у режимі неперервної зйомки.
Режим вспышки	Налаштування параметрів спалаху.
Режим Фокусировки	Вибір методу фокусування.
Обл. автофокуса	Вибір області фокусування.
Эффект мягкой кожи	Встановлення ефекту вирівнювання тону шкіри та ступеня вирівнювання.

Улыб./Распоз. Лиц	Виявлення облич і налаштування різних параметрів автоматично. Налаштування автоматичного спуску шторки в момент виявлення посмішки.
Авт. кадрир. портр.	Аналіз сцени зйомки обличчя і збереження знімка з кращою композицією.
ISO	Налаштування рівня світлочутливості.
Режим измер.	Встановлення режиму, який вибирає, яку частину об'єкта слід вимірювати для визначення експозиції.
Кор.експ.вспыш.	Регулювання інтенсивності спалаху.
Баланс белого	Налаштування гами кольорів зображення.
DRO/Авто HDR	Автоматичне коригування яскравості та контрастності.
Творческ. стиль	Вибір потрібної обробки зображення.
Эффект рисунка	Зйомка зображення з оригінальною текстурою відповідно до вибраного ефекту.
Увел. четк. изобр.	Масштабування зображення з вищою якістю, ніж за допомогою цифрового масштабування.
Цифров увелич	Масштабування з вищим коефіцієнтом збільшення, ніж у разі використання функції «Увел. четк. изобр.»
ШП длит. экспоз.	Налаштування обробки знімків для зменшення шумів із витримкою в 1/3 секунду або більше.
ШП высокого ISO	Налаштування обробки знімків для зменшення шумів у режимі високочутливої зйомки.
Подсветка АФ	Налаштування освітлювача АФ, який забезпечує підсвітку під час зйомки в темряві для покращення фокусування.
SteadyShot	Налаштування SteadyShot.
Цвет. простран.	Зміна діапазону відтворюваних кольорів.
Советы по съемке	Доступ до підказок щодо зйомки.
Запись даты	Визначає необхідність запису дати зйомки на фотографії.

Выбор сцены	Вибір встановлених параметрів відповідно до різних умов зйомки.
Вызов памяти	Вибір налаштування, яке буде застосовано в разі встановлення диска перемикання режимів у положення [Вызов памяти].
Память	Реєстрація потрібних режимів або налаштувань фотоапарата.

📺 Меню відеозйомки

Формат файла	Вибір формату для відеофайлу.
Параметры записи	Вибір розміру записаного відеокадру.
Разм. изобр.(Dual Rec)	Встановлення розміру знімка під час запису відео.
SteadyShot	Налаштування SteadyShot.
Запись звука	Визначення потреби запису звуку під час відеозйомки.
Умен. шума ветра	Приглушення шуму вітру під час відеозйомки.
Видео	Вибір режиму експозиції відповідно до об'єкта зйомки або ефекту.

⚙️ Меню спеціальних налаштувань

Ум.эфф.кр.глаз	Зменшення ефекту червоних очей за допомогою спалаху.
Сетка	Відображення решітки для забезпечення вирівнювання зображення відповідно до окресленої структури.
Авто.просмотр	Відображення знімка після зйомки. Налаштування функції автоматичного перегляду.
Кнопка DISP(Монитор)	Налаштування режимів дисплея, які можна вибрати натисненням кнопки DISP на диску керування.

Уров. выделения контуров	Підсилення контурів у межах області фокусування певним кольором.
Цвет выделения контуров	Налаштування кольору для функції підсилення контурів.
Кольцо управления	Призначення функцій для регулювального кільця.
Показ кольца управл.	Можливість налаштування анімації для відображення під час використання регулювального кільця.
Кнопка Функция	Налаштування функцій, що відобразатимуться внаслідок натиснення кнопки Fn (виклик функцій).
Функция центр. кнопки	Призначення функцій для центральної кнопки.
Функция левой кнопки	Призначення функцій для лівої кнопки.
Функция прав. кнопки	Призначення функцій для правої кнопки.
Помощь для РФ	Збільшення зображення під час ручного фокусування.
Время увелич. фокус.	Налаштування часу відображення знімка у збільшеному вигляді.
След. фок. с приор.лиц	Налаштування пріоритетності відстеження облич у режимі відстеження.
Регистрация лиц	Реєстрація або зміна особи, який надається пріоритет фокусування.

▶ Меню відтворення

Выб. фото./видео	Вибір формату відображення знімків.
Удалить	Видалення зображення.
Слайд-шоу	Запуск показу слайдів.
Индекс изображ.	Одночасно відображаються кілька зображень.
3D-просмотр	Підключення до 3D-сумісного телевізора та можливість перегляду 3D-зображень.

Защита	Встановлення захисту зображень.
Укажите печать	Додавання позначки команди друку до знімка.
Эффект рисунка	Застосування до зображень різноманітних ефектів.
Параметры громк.	Регулювання гучності.
Дисп.реж.воспр.	Налаштування способу відтворення зображення, записаного в режимі портрета.

Меню інструментів карти пам'яті

Форматировать	Форматування карти пам'яті.
Номер файла	Налаштування способу присвоєння нумерації фото- та відеофайлам.
Выбор папк. записи	Зміна папки для збереження зображень.
Создать папку	Створення нової папки для збереження відзнятих фото та відео (MP4).
Восстан. БД изобр.	Відновлення бази даних фотоапарата для можливості запису і відтворення.
Показ. пам. карты	Відображення залишкового часу запису відео та кількості вільних знімків на карті пам'яті.

UA

Меню налаштування годинника

Настр. даты/врем.	Налаштування дати, часу і переходу на літній час.
Часовой пояс	Налаштування розташування, у якому ведеться зйомка.

Меню налаштувань

Старт меню	Налаштування стандартного положення курсору на екрані меню: на верхньому пункті меню або на пункті, що використовувався останнім.
Справ. диска выб. реж.	Увімкнення/вимкнення довідки диска перемикачів режимів (пояснень щодо різних режимів зйомки).

UA
25

Яркость ЖКД	Налаштування яскравості екрана.
Время нач. энергозбер.	Налаштування часу невикористання після якого, фотоапарат автоматично вимикатиметься.
Разрешение HDMI	Налаштування роздільної здатності під час того, як фотоапарат під'єднано до телевізора з роз'ємом HDMI .
КОНТР. ПО HDMI	Керування фотоапаратом з телевізора з підтримкою «BRAVIA» Sync.
Парам. Выгрузки*	Налаштування функції завантаження фотоапарата в разі використання карти Eye-Fi.
USB-соединение	Налаштування способу з'єднання USB.
Настройка USB LUN	Налаштування режиму під'єднання фотоапарата до комп'ютера за допомогою USB.
USB питание	Налаштування потреби живлення фотоапарата через з'єднання USB.
Звуковые сигн.	Налаштування звуку спрацювання фотоапарата.
Модель	Відображення версії програмного забезпечення фотоапарата.
Язык	Вибір мови.
Сенсор падения	Налаштування функції [Сенсор падення].
Демонстр. режим	Увімкнення/вимкнення демонстраційного відтворення відео.
Инициализац.	Відновлення стандартних налаштувань.

* З'являється, якщо у фотоапарат вставлено карту Eye-Fi (продається окремо).

Встановлення програми «PlayMemories Home» (Windows)

Вбудоване програмне забезпечення «PlayMemories Home» дозволяє імпортувати фотографії та відеозаписи на комп'ютер і використовувати їх.

Можна знімати та переглядати фотографії на фотоапараті, навіть якщо програму «PlayMemories Home» не встановлено, але «PlayMemories Home» потрібна для імпортування AVCHD відео на комп'ютер.

- 1 Під'єднайте фотоапарат до комп'ютера.
- 2 Windows 7: [Computer] → піктограма фотоапарата → піктограма носія → двічі клацніть на [PMHOME.EXE]
Windows XP/Vista: [Computer] (у Windows XP, [My Computer]) → [PMHOME] → двічі клацніть на [PMHOME.EXE]
- 3 Дотримуйтеся вказівок, що відображаються на екрані, для завершення встановлення.

UA

Примітки

- Програма «PlayMemories Home» не сумісна з Mac OS. У разі відтворення зображень на комп'ютері Mac використовуйте програми, встановлені на комп'ютері Mac.

Докладніші відомості читайте на веб-сайті:

<http://www.sony.co.jp/imsoft/Mac/>

■ Функції програми «PlayMemories Home»

Нижче подано приклади функцій, доступних під час користування програмою «PlayMemories Home». Щоб користуватися різноманітними функціями «PlayMemories Home», підключіться до Інтернету і встановіть «Expanded Feature».

- Зображення, зняті фотоапаратом, можна імпортувати на комп'ютер і відображати їх на екрані комп'ютера.
- Збережені на комп'ютері зображення можна відображати за датою зйомки в режимі календаря.
- Фотознімки можна коригувати (Корекція червоних очей тощо), друкувати знімки, надсилати знімки електронною поштою, а також змінювати дату та час зйомки.
- Програма дає змогу зберігати та видруковувати зображення із зазначеною датою.
- Імпортовані на комп'ютер відеофайли AVCHD можна записати на диск. (Expanded Feature)

Встановлення «Image Data Converter»

«Image Data Converter» дає змогу створювати зображення RAW.

- 1 Завантажте програму **MacSoft** з безпечення із вказаного веб-сайту і встановіть його на комп'ютері.

Windows: <http://www.sony.co.jp/imsoft/Win/>

Mac: <http://www.sony.co.jp/imsoft/Mac/>

■ Функції програми «Image Data Converter»

Нижче подано приклади функцій, доступних під час користування програмою «Image Data Converter».

- Зображення RAW можна редагувати за допомогою численних функцій коригування, зокрема функцій коригування тонів та чіткості.
- Зображення можна коригувати за допомогою балансу білого, діафрагми, функції «Творческ. стиль» тощо.
- Відредаговані знімки можна зберігати на комп'ютері. Зображення RAW можна зберігати двома способами: зберегти як дані RAW або у стандартному файловому форматі;
- Відобразити та порівняти зображення RAW та зображення JPEG, зняті цим фотоапаратом.
- Для зображень можна встановлювати п'ятирівневий рейтинг.
- Можна налаштувати кольорові ярлики.

Докладніше про всі можливості програми читайте в довідці розділу «Image Data Converter».

Натисніть [Start] → [All Programs] → [Image Data Converter] → [Help] → [Image Data Converter Ver.4].

Сторінка підтримки програми «Image Data Converter» (лише англійська версія)

<http://www.sony.co.jp/ids-se/>

Кількість фотознімків і тривалість відеозапису

Кількість фотознімків і час запису залежать від умов здійснення зйомки та ємності карти пам'яті.

UA

■ ФОТОЗНІМКИ

Размер изобр.: L: 20M

Коли для пункту [Формат] встановлено значення [3:2]*

Качество	Ємність
	2 Гб
Стандартное	295 зображень
Высокое	170 зображень
RAW и JPEG	58 зображень
RAW	88 зображень

* Коли для пункту [Формат] встановлено значення, інше, аніж [3:2], можна записати більше зображень, ніж вказано вище. (Крім випадків, коли для пункту [Качество] встановлено значення [RAW].)

Відео

У викладеній нижче таблиці вказана приблизна максимальна тривалість запису. Це загальна тривалість усіх відеофайлів. Безперервна зйомка може тривати приблизно 29 хвилин. Максимальний розмір відеоролика у форматі MP4 — приблизно 2 Гб.

(h (години), m (хвилини))

Ємність	2 Гб
Параметри записи	
60i 24M(FX)/50i 24M(FX)	10 m
60i 17M(FH)/50i 17M(FH)	10 m
60p 28M(PS)/50p 28M(PS)	9 m
1440×1080 12M	15 m
VGA 3M	1 h 10 m

- Тривалість відеозапису може відрізнятися, оскільки фотоапарат обладнано системою VBR (змінна швидкість потоку), яка автоматично налаштовує якість зображення в залежності від сцени зйомки. Під час зйомки об'єкта, що швидко рухається, зображення є чіткішим, а час зйомки коротший, адже для запису відео необхідно більше пам'яті. Тривалість запису також може відрізнятися в залежності від умов зйомки, об'єкта зйомки, а також від налаштувань розміру та якості зображення.

Примітки щодо використання фотоапарата

Вбудовані функції фотоапарата

- У цьому посібнику описуються пристрої, сумісні зі стандартами 1080 60i та 1080 50i.
Щоб дізнатися, який стандарт підтримує фотоапарат — 1080 60i чи 1080 50i, — перевірте наявність на нижній панелі таких позначок:
Пристрій із підтримкою формату 1080 60i: 60i
Пристрій із підтримкою формату 1080 50i: 50i
- Цей фотоапарат підтримує відео форматів 1080 60p або 50p. На відміну від стандартних режимів запису, які були дотепер та використовували черезрядкову розгортку, цей фотоапарат під час запису використовує прогресивну розгортку. Це підвищує роздільну здатність і забезпечує більш згладжене та реалістичне зображення.

Використання та догляд

Поводьтеся з виробом обережно, не розбирайте, не модифікуйте його, не піддавайте фізичним струсам та ударам (наприклад, ударам молотка, падінню) і не наступайте на виріб. Особливо обережного поводження потребує об'єктив.

Примітки щодо запису/відтворення

- Перед початком зйомки зробіть пробні фотографії, щоб переконатися, що фотоапарат працює належним чином.
- Цей фотоапарат не є ані пилонепроникний, ані водостійкий, а також не має захисту від бризок.
- Уникайте потрапляння води на фотоапарат. Якщо вода потрапить у фотоапарат, це може спричинити виникнення несправності. У певних випадках фотоапарат не підлягатиме ремонту.
- Не спрямовуйте фотоапарат на сонце або інше яскраве світло. Це може призвести до виникнення несправності фотоапарата.
- У разі утворення конденсації вологи перш ніж використовувати фотоапарат, її слід позбутися.
- Не трясіть і не вдаряйте фотоапарат. Це може спричинити виникнення несправності і неможливість виконання запису зображень. Крім того, може вийти з ладу носій інформації або можуть зазнати пошкодження зображення.

UA

McGrp.Ru

Не використовуйте і не зберігайте фотоапарат у таких місцях

- У дуже гарячих, холодних або вологих місцях
Внаслідок зберігання у таких місцях, як наприклад салон автомобіля, припаркованого під прямим сонячним промінням, корпус фотоапарата може деформуватися, і це може призвести до виникнення несправності.
- Під прямим сонячним промінням або поблизу обігрівача
Корпус фотоапарата може втратити колір і деформуватися, і це може призвести до виникнення несправності.
- У місцях, що піддаються сильній вібрації
- У місцях, де поширюються радіохвилі, випромінюється радіація або створюються магнітні поля. Інакше фотоапарат може не виконувати запис чи відтворення зображень належним чином.
- У піщаних або запилених місцях
Будьте обережними, щоби пісок або пил не потрапили у фотоапарат. Це може призвести до несправності фотоапарата і, у деяких випадках, цю несправність не вдасться усунути.

Перенесення

Не сідайте, тримаючи фотоапарат у задній кишені штанів чи спідниці, оскільки це може призвести до виникнення несправності або пошкодження фотоапарата.

Об'єктив Carl Zeiss

Цей фотоапарат обладнано об'єктивом Carl Zeiss, який дозволяє відтворювати чіткі зображення із чудовою контрастністю. Об'єктив для цього фотоапарата виготовлено відповідно до системи забезпечення якості, сертифікованої компанією Carl Zeiss згідно зі стандартами компанії Carl Zeiss у Німеччині.

Примітки щодо екрана

Дисплей виготовлено за використання високоточної технології, і завдяки цьому ефективно використовується більш ніж 99,99% пікселів дисплея. Однак на екрані можуть з'являтися крихітні чорні та/або яскраві цятки (білого, червоного, синього або зеленого кольору). Наявність цих цяток є звичним наслідком виробничого процесу і жодним чином не впливає на запис зображення.

Примітки щодо спалаху

- Не тримайте фотоапарат за спалах і не прикладайте надмірної сили до нього.
- Якщо вода, пил чи пісок потраплять у відкритий спалах, це може стати причиною несправності.

Про температуру фотоапарата

В результаті тривалого використання фотоапарат і батарея можуть нагріватися, що не є несправністю.

Про захист від перегрівання

З метою захисту, залежно від температури фотоапарата і батареї, вам може не вдатися записати відео, або живлення може вимкнутись автоматично.

Перед тим, як вимкнеться живлення або відеозапис більше не буде можливим, на екрані з'явиться повідомлення. У такому разі вимкніть фотоапарат і почекайте, поки спаде температура фотоапарата і батареї. Якщо увімкнути фотоапарат, не давши йому та батареї достатньо охолонути, живлення може знову вимкнутися, і ви не зможете записувати відео.

Про заряджання батареї

Якщо батареєю не користувалися протягом тривалого часу, під час зарядження її, можливо, не вдасться зарядити до повної потужності. Це відбувається через характеристики батареї, а не її несправність. Зарядіть батареї знову.

Попередження про авторські права

Телевізійні програми, фільми, відео- та інші матеріали можуть бути захищені авторськими правами. Несанкціонований запис таких матеріалів може суперечити положенням законів про авторські права.

Відсутність компенсації за пошкодження вмісту або неможливість виконання запису

Компанія Sony не передбачає надання компенсації за неможливість виконання запису чи втрату або пошкодження вмісту запису внаслідок несправності фотоапарата, носія інформації і т. ін.

Чищення поверхні фотоапарата

Витріть поверхню фотоапарата за допомогою м'якої, трохи вологої ганчірки, а потім витріть насухо. Для запобігання пошкодженню поверхні або корпусу:

- Не піддавайте фотоапарат впливу хімічних речовин, таких як розчинник, бензин, спирт, речовини для відлякування комах, сонцезахисний крем або інсектициди, а також тканин разового використання.

Технічні характеристики

Фотоапарат

[Система]

Пристрій для формування зображення: Сенсор Exmor CMOS, 13,2 мм × 8,8 мм (тип 1,0)

Загальна кількість пікселів фотоапарата:

Прибл. 20,9 мегапікселів

Кількість ефективних пікселів фотоапарата:

Прибл. 20,2 мегапікселів

Об'єктив: Carl Zeiss Vario-Sonnar T* з 3,6-разовим збільшенням f = 10,4 мм – 37,1 мм (28 мм – 100 мм (еквівалент 35 мм кіноплівки))

F1,8 (W) – F4,9 (T)

Під час відеозйомки (16:9) 29 мм – 105 мм*

Під час відеозйомки (4:3): 36 мм – 128 мм*

* Коли для пункту [SteadyShot] встановлено значення [Стандартний]

SteadyShot: Оптичний

Керування експозицією:

Автоматична експозиція, пріоритет діафрагми, пріоритет витримки, ручна експозиція, вибір сцени (13 режимів)

Баланс білого: Автоматично, денне світло, тінь, хмарно, лампа розжарювання, флуоресцентна лампа (тепла біла/холодна біла/денна біла/лампа денного світла), спалах, колірна температура/фільтр кольору, користувацький

Формат сигналу:

Для 1080 50i:

Колір PAL, стандарти CCIR специфікація HDTV 1080/50i, 1080/50p

Для 1080 60i:

Колір NTSC, стандарти EIA специфікація HDTV 1080/60i, 1080/60p

Формат файлів:

Фотознімки: сумісні з форматом JPEG (DCF, Exif, MPT Baseline), сумісні з DPOF

Відео (формат AVCHD):

Сумісний із форматом AVCHD Ver.2.0

Відео: MPEG-4 AVC/H.264

Аудіо: 2-канальне Dolby Digital з Dolby Digital Stereo Creator

• Створено по ліцензії компанії Dolby Laboratories.

McGrp.ru

Відео (формат MP4):
Відео: MPEG-4 AVC/H.264
Аудіо: MPEG-4 з 2-канальним
звуком AAC-LC

Носій для запису інформації:
Карти пам'яті «Memory Stick
Duo», «Memory Stick Micro»,
карти SD, microSD

Спалах: Діапазон спалаху
(чутливість ISO
(рекомендований показник
експозиції) встановлено в
автоматичному режимі):
Прибл. 0,3 м до 17,1 м (W)
Прибл. 0,55 м до 6,3 м (T)

[Вхідні і вихідні роз'єми]

Роз'єм HDMI: Мікророз'єм HDMI
Роз'єм мікро-USB:
З'єднання USB
З'єднання USB: Hi-Speed USB
(USB 2.0)

[Екран]

Рідкокристалічний дисплей:
7,5 см (тип 3,0), базується на
технології TFT
Загальна кількість точок:
1 228 800 точок

[Живлення, загальне]

Живлення: Акумуляторна батарея
NP-BX1, 3,6 В
Адаптер змінного струму
AC-UD10/UD11, 5 В
Споживання електроенергії
(під час зйомки): 1,5 Вт
Температура використання:
від 0 °С до 40 °С
Температура зберігання:
від -20 °С до +60 °С
Розміри (сумісність зі стандартом
CIPA): 101,6 мм × 58,1 мм ×
35,9 мм (Ш/В/Г)
Маса (сумісність зі стандартом
CIPA) (включно з батареєю
NP-BX1, «Memory Stick Duo»):
Прибл. 240 г
Мікрофон: Стерео
Гучномовець: Монофонічний
Exif Print: Сумісний
PRINT Image Matching III:
Сумісний

UA

Адаптер змінного струму AC-UD10/UD11

Вимоги щодо живлення: Змінний струм від 100 В до 240 В, 50 Гц/60 Гц, 0,2 А

Вихідна напруга:

Постійний струм 5 В, 1 500 мА

Температура використання:

від 0 °С до 40 °С

Температура зберігання:

від -20 °С до +60 °С

Розміри:

AC-UD10: Прибл. 78 мм × 22 мм × 36 мм (Ш/В/Г)

AC-UD11: Прибл. 70 мм × 33 мм × 36 мм (Ш/В/Г)

Вага:

AC-UD10: Прибл. 45 г

AC-UD11: Прибл. 50 г

Акумуляторна батарея NP-BX1

Батарея, що використовується:

Літієво-іонна батарея

Максимальна напруга:

Постійний струм 4,2 В

Номінальна напруга:

Постійний струм 3,6 В

Максимальна напруга

заряджання:

Постійний струм 4,2 В

Максимальний струм заряджання:

1,89 А

Ємність: 4,5 Вт/год (1 240 мА/год)

Дизайн та характеристики можуть бути змінені виробником без попереднього повідомлення.

Товарні знаки

- Подані далі знаки є товарними знаками компанії Sony Corporation.
Cyber-shot, «Cyber-shot», «Memory Stick PRO Duo», «Memory Stick PRO-HG Duo», «Memory Stick Duo», «Memory Stick Micro»
- «AVCHD Progressive» і логотип «AVCHD Progressive» є товарними знаками Panasonic Corporation і Sony Corporation.
- Windows є зареєстрованим товарним знаком корпорації Microsoft Corporation в Сполучених Штатах та/або інших країнах.
- Mac і логотип Mac OS є зареєстрованими товарними знаками Apple Inc.
- Логотип SDXC є товарним знаком SD-3C, LLC.
- «PS» і логотип «PlayStation» є зареєстрованими товарними знаками Sony Computer Entertainment Inc.
- Крім того, назви систем і продуктів, які використовуються у цьому посібнику, є товарними знаками або зареєстрованими товарними знаками їх відповідних розробників або виробників. Проте, знаки TM або ® використовуються у цьому посібнику не в усіх випадках.



- Можна також користуватися PlayStation 3 і завантажити програму для PlayStation 3 із PlayStation Store (де доступно).
- Програма для PlayStation 3 потребує облікового запису PlayStation Network і завантаження програми. Вона доступна в регіонах, де знаходиться PlayStation Store.

Додаткову інформацію стосовно цього виробу та відповіді на часті запитання можна знайти на веб-сайті Служби підтримки споживачів компанії Sony.

<http://www.sony.net/> *McGrp.Ru*

Надруковано на папері з можливістю переробки 70% чи більше, з використанням чорнила без летких органічних сполук, а виготовленого на основі рослинної олії.

McGrp.Ru

