

Dreame R10 **Pro Aqua**

Cordless Stick Vacuum

User Manual

THANK YOU

FOR PURCHASING THIS DREAME VACUUM CLEANER.

Registration Quick Start

Welcome to register a Dreame account by scanning the QR code.

You are available for the User Manual and Special Offers.



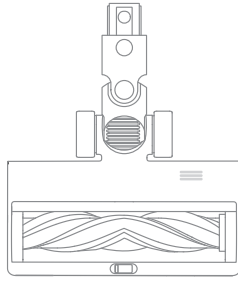
With it you are obtaining a high quality product that is engineered for optimal performance. If you have any questions on the product, please contact us: aftersales@dreame.tech.

| | | |
|-----------|--------------------------------|----|
| EN | User Manual | 1 |
| RU | Руководство пользователя | 12 |

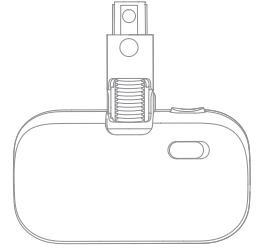
A



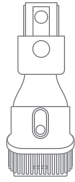
1



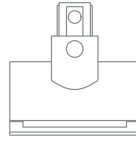
2



3



4



5



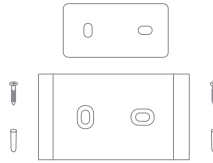
6



7

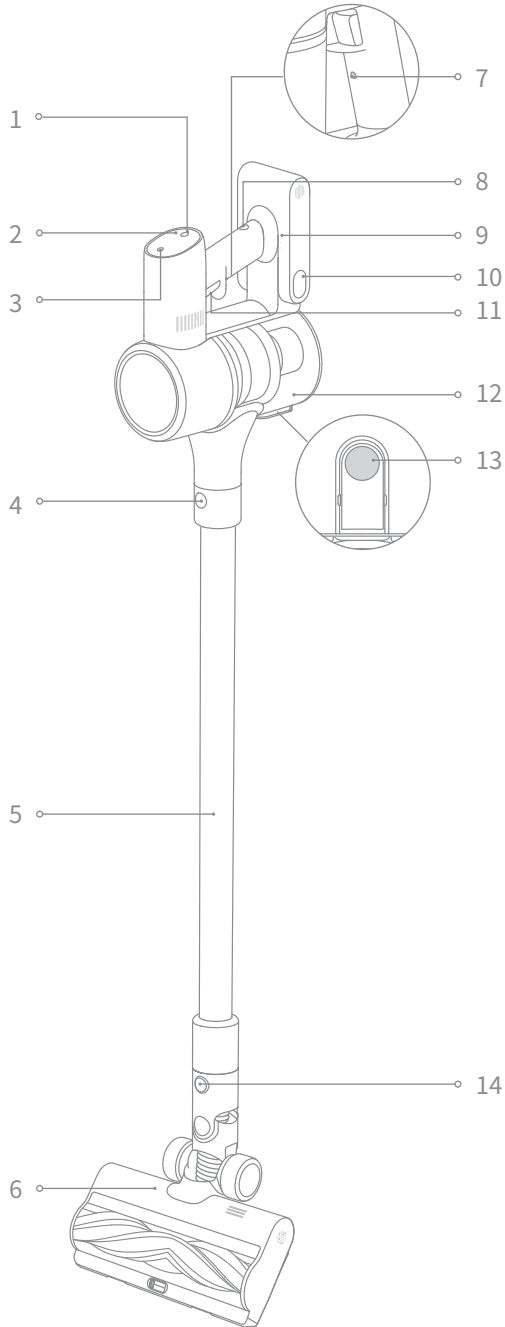


8

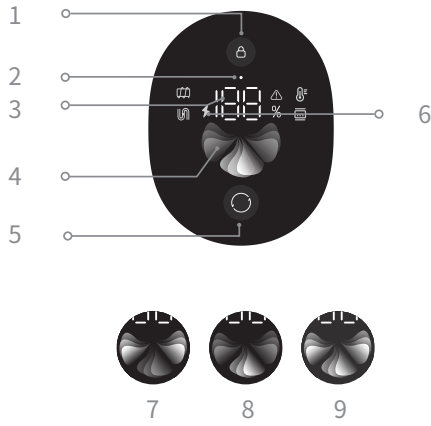


9

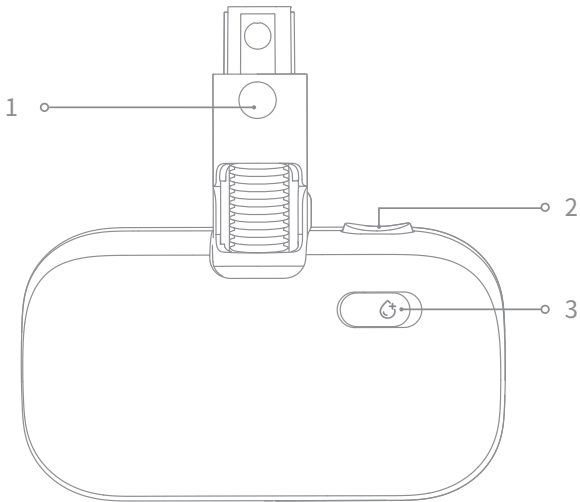
B-1



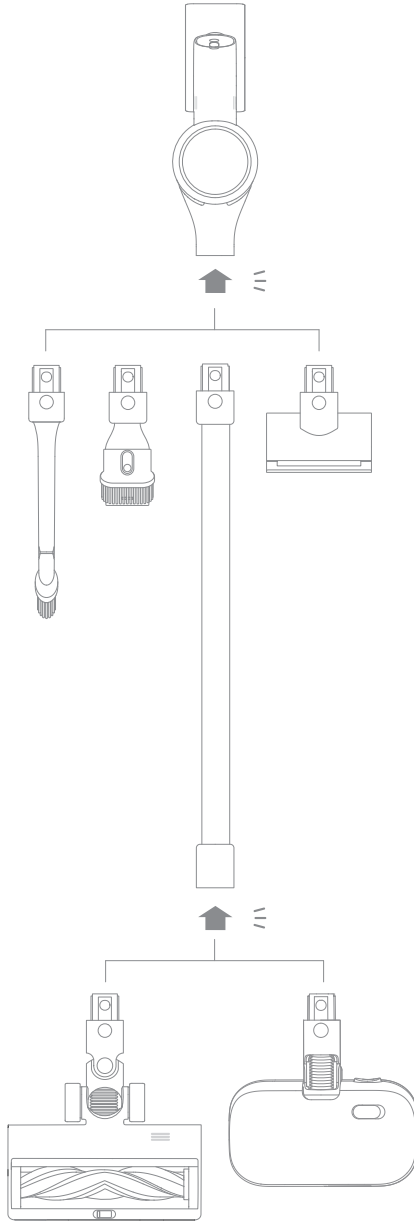
B-2



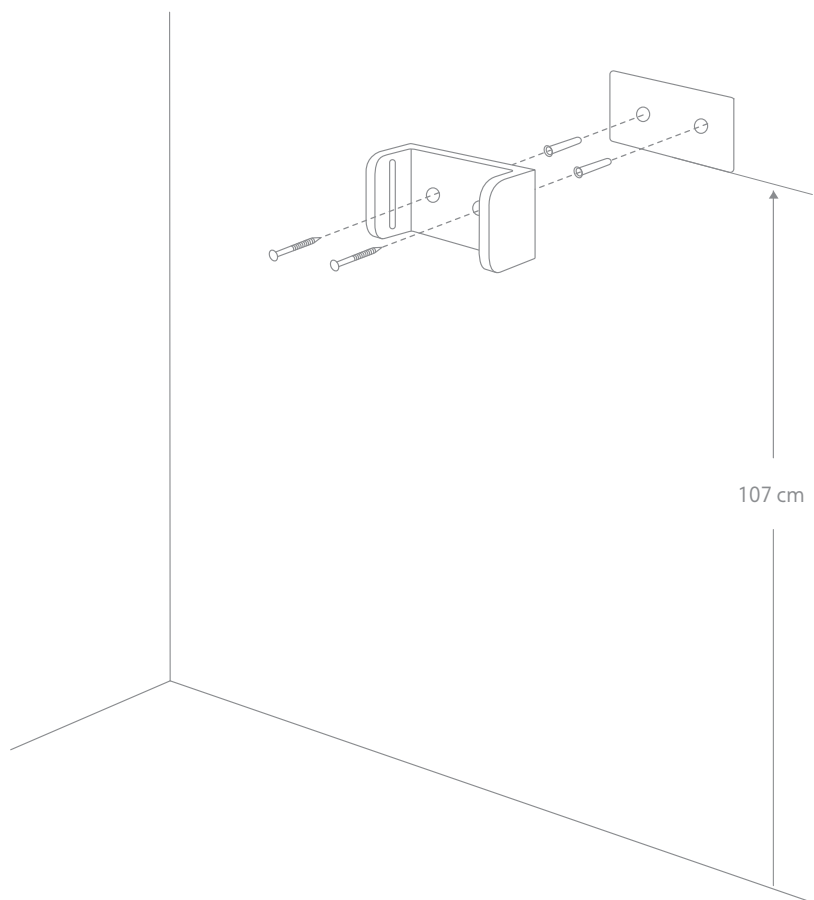
B-3



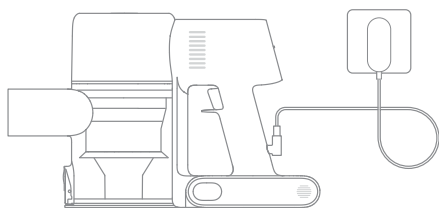
C-1



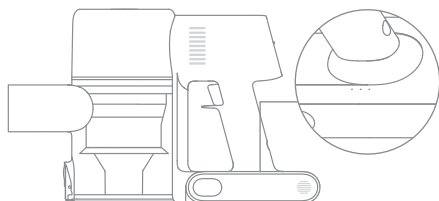
C-2



D-1



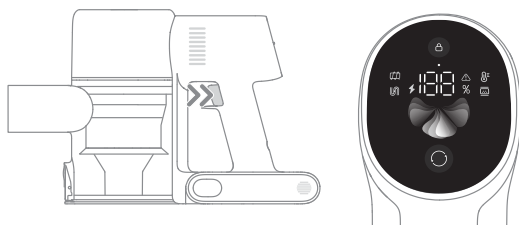
D-2



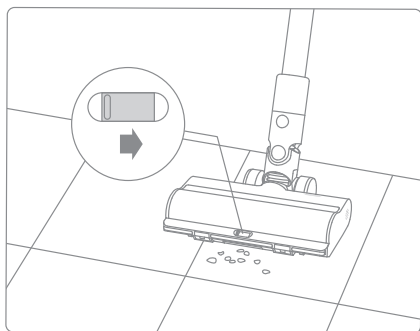
E-1



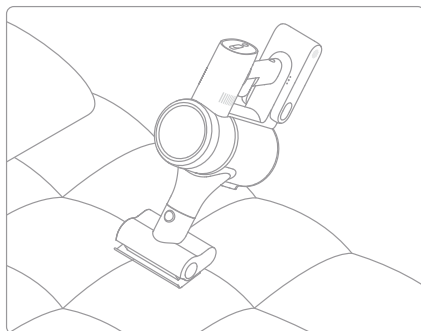
E-2



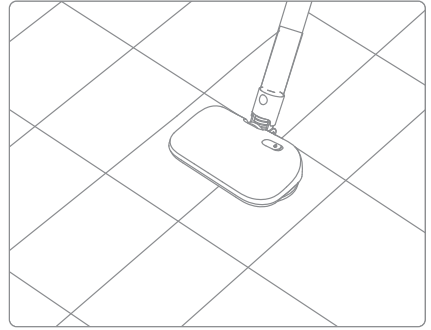
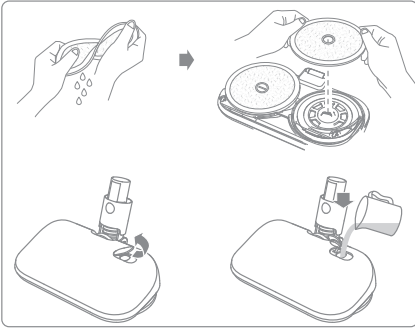
E-3



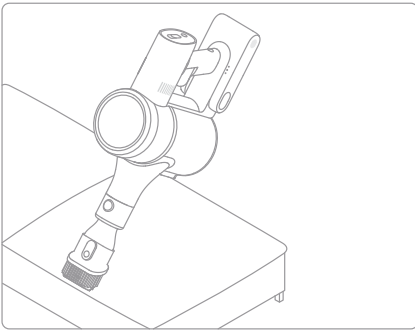
E-4



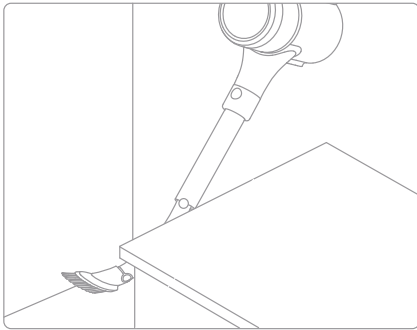
E-5



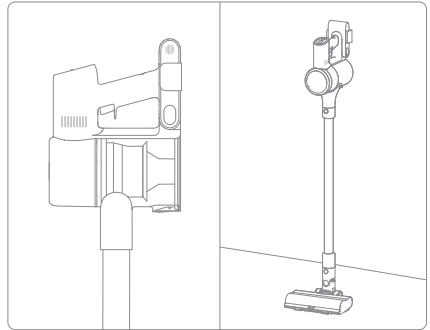
E-6



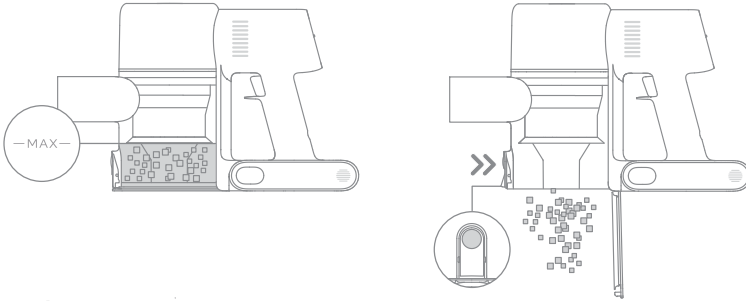
E-7



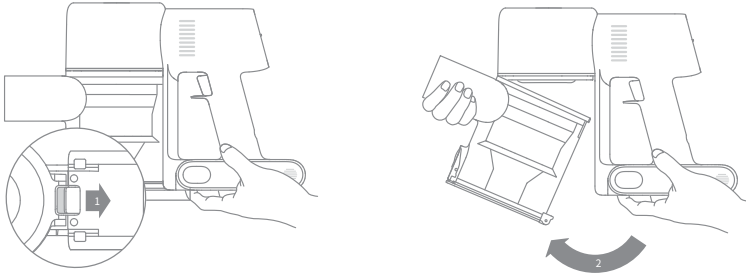
E-8



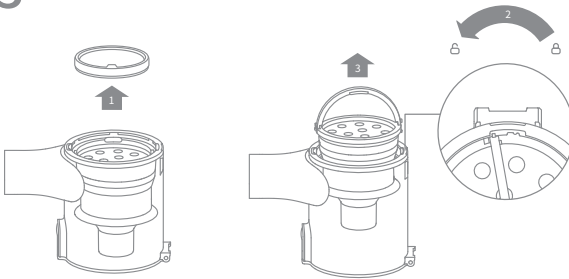
F-1



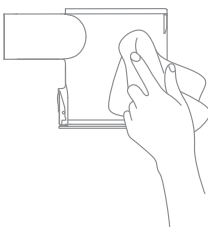
F-2



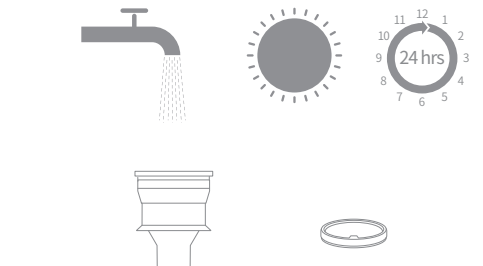
F-3



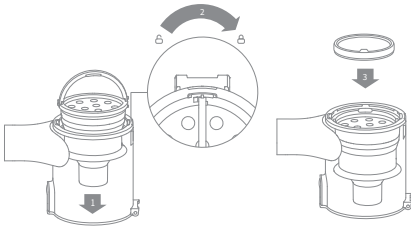
F-4



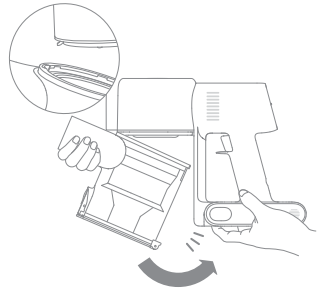
F-5



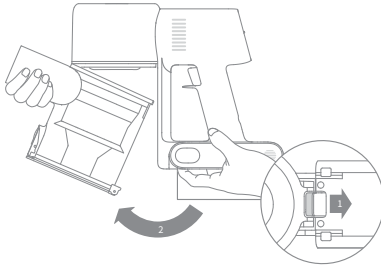
F-6



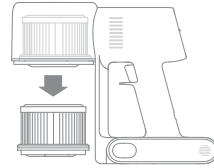
F-7



F-8



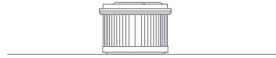
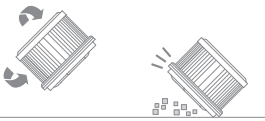
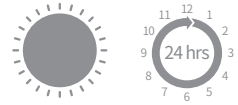
F-9



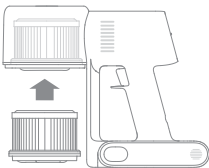
F-10



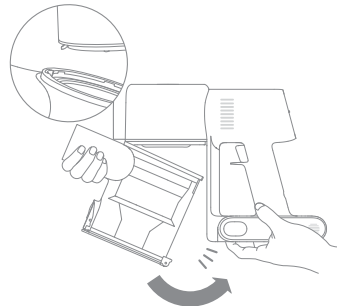
F-11



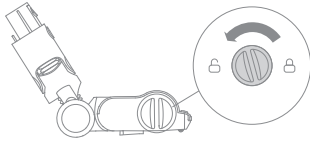
F-12



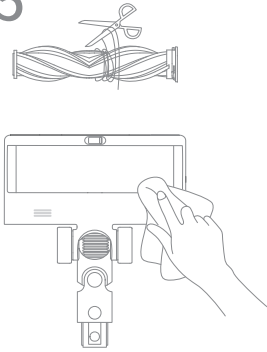
F-13



F-14



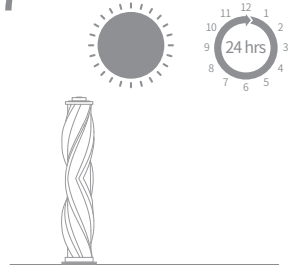
F-15



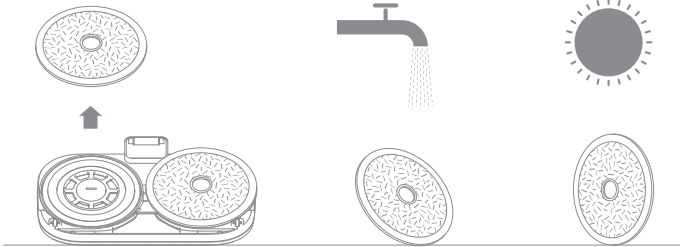
F-16



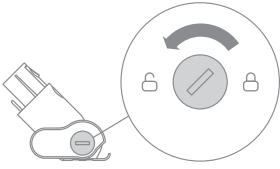
F-17



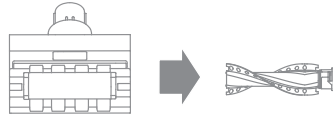
F-18



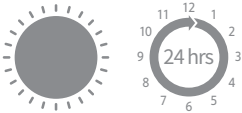
F-19



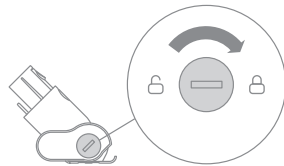
F-20



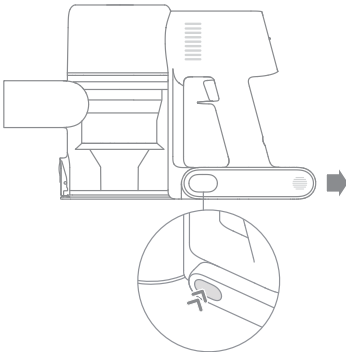
F-21



F-22



F-23






Safety Instructions

To prevent accidents including electric shock or fire caused by improper use, please read this manual carefully before use and retain it for future reference.

Warning

- This product can be used by children aged from 8 years and above and persons with physical, sensory, intellectual deficiencies, or limited experience or knowledge under the supervision of a parent or guardian to ensure safe operation and to avoid any risk of hazards. Cleaning and maintenance shall not be made by children without supervision.
- This appliance is not intended for use by persons (including children) with reduced physical, sensory or mental capabilities, or lack of experience and knowledge, unless they have been given supervision or instruction concerning use of the appliance by a person responsible for their safety.
- Children should be supervised to ensure that they do not play with the appliance.
- The vacuum is not a toy. Children shall not play with or operate this product. Please exercise caution when using the vacuum near children. Do not allow children to clean or maintain the vacuum unless supervised by a parent or guardian.
- Do not use the vacuum outdoors or on wet surfaces. Only use the vacuum on dry indoor surfaces. Do not touch the plug or any part of the vacuum with wet hands.
- To reduce the risk of fire, explosion, or injury, check to make sure the lithium battery and charging adapter are undamaged before use. Do not use the vacuum if either the lithium battery or charger is damaged.
- The illumination omni-brush, motorized mini-brush, battery, metal connector pin, and vacuum are electrically conductive and should not be immersed in water or other liquid. Make sure to dry all filters after cleaning.
- To prevent injury caused by moving parts, turn off the vacuum before cleaning the illumination omni-brush and motorized mini-brush. The illumination omni-brush, motorized mini-brush, dust compartment and filter must all be properly installed before using the vacuum.
- Only use the original charging adapter. Never use an unoriginal adapter, as this may cause the lithium battery to catch fire.
- Do not use the vacuum to pick up flammable or combustible liquids, such as gasoline, or bleach, ammonia, drain cleaners or other liquids.
- Do not use the vacuum to pick up sharp or hard objects, such as glass, nails, screws, or coins, which may damage the machine. Do not use the vacuum to pick up drywall particles, ashes like fireplace ash, or smoking or burning materials such as coal, cigarette butts or matches.
- Check the area to be cleaned before use. To prevent the openings from being blocked, clear the larger paper, spitball, plastic cloth or sharp objects (such as glass, nails, screws, coins, etc.) and any object which is larger than openings.
- Keep hair, loose clothing, fingers and other parts of the body away from the vacuum's openings and moving parts. Do not point the extension rod, wand or tools at your eyes or ears or put them in your mouth.
- Do not put any object into the vacuum's openings. Do not use the vacuum with any

- opening blocked. Keep free of dust, lint, hair, or other items which may reduce airflow.
- Do not rest the vacuum against a chair, table, or other unstable surface, as this may cause damage to the machine or personal injury. If the vacuum becomes damaged from being knocked over or is otherwise malfunctioning, please contact our authorized service department. Never attempt to disassemble the device on your own.
 - All instructions in the manual for recharging the battery must be strictly followed. Failure to properly charge the battery within the specified temperature range could damage the battery.
 - Only use accessories and replacement parts recommended by the manufacturer.
 - Please be extra careful when using the vacuum to clean stairs.
 - Make sure the vacuum is unplugged when not used for extended periods as well as prior to performing any maintenance or repairs.
 - Do not install, charge, or use this product outdoors, in bathrooms, or around a pool.
 - Fire Hazard Warning: Do not apply any type of fragrance to the vacuum's filter. These types of products are known to contain flammable chemicals which may cause the vacuum to catch fire.
 - Only use the original charger (Model ZD024M340090EU/TPQ-88E340090VW01). Failing to do so may cause the lithium-ion battery to catch fire.
 - WARNING: For the purposes of recharging the battery, only use the detachable supply unit provided with this appliance.
 - Only use the approved battery type (Model V2213V-8S1P-BWA). Failing to do so may cause the lithium-ion battery to catch fire.
 - If the battery material is released, remove personnel from area until the batteries cool down and fumes dissipate.
 - Provide maximum ventilation to clear out hazardous gases and avoid skin and eye contact or inhalation of vapors.
 - Remove spilled liquid with absorbent and incinerate waste.
 - Do not use and store in extremely hot or cold environments (below 0°C /32°F or above 40°C /104°F). Please charge the cordless vacuum in temperature above 0°C /32°F and below 40°C /104°F.
 - This product is designed for home use only.
 - The supply terminals are not to be short-circuited.
-  Read operator's manual
-  Detachable supply unit
-  For indoor use only
- We, Dreame Trading (Tianjin) Co. , Ltd. , hereby, declares that this equipment is in compliance with the applicable Directives and European Norms, and amendments. The full text of the EU declaration of conformity is available at the following internet address: <https://global.dreame.tech.com>
- For detailed e-manual, please go to <https://global.dreame.tech.com/pages/user-manuals-and-faq>

Product Overview

Accessories

1. Extension Rod
2. Smart Multi-Surface Brush
3. Spin Mop Head
4. Wide Combination Tool
5. Motorized Mini-Brush
6. Charger
7. Combination Tool
8. Mop Pad × 4
9. Wall Mount(Including screw × 2, wall plug × 2, and mounting template sticker)

Note: The images in this manual are for illustrative purposes only. The actual product may differ.

Fig. A

Component Names

1. Suction Level Switch
2. Display Screen
3. Trigger Switch Lock
4. Extension Rod Release Button
5. Extension Rod
6. Smart Multi-Surface Brush
7. Antistatic Contact
8. Charging Port
9. LED Battery Status Indicator
10. Battery Release Button
11. Power Button
 - Press to turn on
 - Release to turn off
12. Dust Cup
13. Dust Cup Bottom Cover Release Button
14. Brush Release Button

Fig. B-1

Introduction of Display Screen

1. Trigger switch lock
Press briefly to enter/ exit the lock state.
2. Lock Status

3. Battery Level Percentage

When the display shows "LO", it indicates that the battery level is lower than 10%.

4. Suction Level

The color of fan-shaped icon changes with different modes.

5. Suction Level Switch

Press briefly to switch between eco, med and turbo mode.

Note: The Med mode is used by default every time the vacuum is turned on.

6. ⚡ Charging/Battery Level Indicator

Blinking red: Battery level ≤ 10%

Pulsing red: Battery level ≤ 10% (charging)

Pulsing green: Battery level > 10% (charging)

7. Med

8. Eco

9. Turbo

If the vacuum is not working properly, the screen display will show an error message. Please refer to the troubleshooting table to find your solution.

Note: The images in this manual are for illustrative purposes only. The actual product may differ.

Fig. B-2

Spin Mop Head

1. Spin Mop Head Release Button
2. Outflow Control Switch
 - Low
 - High
 - Off
3. Water Tank Plug

Fig. B-3

Installation

Fig. C-1 ☰ Click

Wall Mount Installation Diagram

1. The bottom edge of the mounting

template sticker should be parallel to and about 107 cm from the ground.

- Use a power drill with an 8 mm drill bit to drill a hole into each marker on the mounting template sticker, then insert a wall plug into each hole.
- Align the holes on the mount with the holes on the wall. Fasten it to the wall with the included screws.

Fig. C-2

Note:

- The wall mount is an optional accessory. You can install it based on your needs.
- The wall mount should be installed on a cool, dry surface with an electrical outlet nearby. Prior to installing, ensure that there are no electrical wires or pipes in the space directly behind installment position.

Charging

Fully charge the vacuum before using it for the first time.

Note:

- A full charge will take approximately 4 hours.
- Using Turbo mode for a prolonged period will cause the battery to heat up, which increases charging time. Allow the vacuum to cool down for 30 minutes before charging it.

Charging Methods

Charging the vacuum with the charger

Fig. D-1

LED Battery Status Indicator

- ● ☼ Low battery
- ☼ ○ Half battery
- ☼ ○ ○ Nearly full
- ○ ○ Fully charged

- Off
- ☼ Blinking
- On

Note: Once the vacuum is fully charged, the indicator will turn off after 5 minutes, and the vacuum will enter the energy-saving mode.

Fig. D-2

How to Use

Battery Status Display

Display Screen

The number on the display screen represents the current battery level in a percentage during charging. When the number becomes 100, the battery is fully charged.

Working Methods

Select from two working methods for the vacuum, based on your needs.

Method 1: Discontinuous Cleaning Mode

Press and hold the on/off switch to power it on, and release it to stop immediately.

Fig. E-1

Method 2: Continuous Cleaning Mode (Trigger switch lock)

Click the trigger switch lock to switch to Continuous Cleaning Mode when the vacuum is running. Then release the on/off switch to make the vacuum in Continuous Cleaning Mode.

Use the trigger switch lock to free your fingers and avoid finger fatigue caused by holding the switch.

Fig. E-2

Note:

- In this mode, the lock indicator will illuminate steadily.
- Click the trigger switch lock again to quit the Continuous Cleaning Mode.

Using Different Accessories

Smart Multi-Surface Brush

- When using on baby play mats, carpets or for vacuuming coffee beans, pop corn and other pellets, turn on the switch on the brush.

- When vacuuming on tiles, wooden floors or other hard surfaces, turn off the switch.

Fig. E-3

Note:

- The smart multi-surface brush can be attached directly to the vacuum.
- When the appliance starts, the lights in front of the brush roller will automatically turn on, which is convenient for use.

Motorized Mini-Brush

For vacuuming dirt, pet hair, and other stubborn debris from sofas, bedding, and other fabric surfaces.

Fig. E-4

Note: It is not recommended to vacuum on fragile surfaces, such as silk.

Spin Mop Head

1. Install the Mop Pad

- 1) Dampen the mop pad and wring out any excess water.
- 2) Align the central hole of the pad with the fixing screw in the center of the bottom rotating plate. Press the mop firmly to ensure that it is properly attached.

2. Fill with Water

- 1) The capacity of the water tank is 200 mL. Do not add chemicals to prevent damage to the tank.
 - 2) Open the water tank plug.
 - 3) Add water.
3. Start Cleaning.
- 1) Install the spin mop head to the robot.
 - 2) Press the on/off switch briefly, and the cleaning plate will start rotating.

Fig. E-5

Precautions:

- Use only the mop pad included.
- When mopping, the suction power of vacuum remains unchanged in any levels.

- Dampen mop pad and wring out excess water before mopping.
- To avoid any damage, do not step on the spin mop head or mop pad.

Note:

- If any rotating part becomes stuck, the vacuum may shut off automatically. Remove any trapped foreign objects, then resume use.
- When the battery becomes overheated, the vacuum will automatically shut off. Then resume use until the battery temperature returns to normal.

Wide Combination Tool

For vacuuming curtains, keyboards, ceilings, sofas, vehicle interiors, coffee tables, etc.

Fig. E-6

Combination Tool

Suitable for vacuuming cracks, corners of doors and windows, stairs, and other hard-to-reach places.

Fig. E-7

Wall Mount

The vacuum cleaner can be placed on the wall mount when it is not in use.

Note:

- Do not put the vacuum cleaner alone on the wall mount.
- Place it on the wall mount after connecting it with the extension rod and the smart multi-surface brush.

Fig. E-8

Note:

- If any rotating part becomes stuck, the vacuum may shut off automatically. Remove any trapped foreign objects, then resume use.
- When the motor becomes overheated, the vacuum will automatically shut off. Wait until the battery temperature returns to normal, then resume use.

Care & Maintenance

Tips:

1. Always use genuine parts to keep your warranty from being void.
2. If the filter or nozzle becomes clogged, the vacuum will stop working shortly after being turned on. Clear the tube to restore functionality.
3. If the vacuum is not used for an extended period, fully charge it, unplug its charger, and store it in a cool, low-humidity environment away from direct sunlight. To avoid over-discharging the battery, recharge the vacuum at least once every three months.

Cleaning the Vacuum

Wipe the vacuum with a soft dry cloth.

Cleaning the Dust Cup, Pre-Filter, and Cyclone Assembly

The vacuum's cleaning ability will be reduced if the dust cup is filled to the "MAX" mark. To regain performance, empty the dust cup in a timely manner. Before emptying the dust cup, make sure the vacuum is disconnected from the power, and do not press its power button.

1. Press the dust cup bottom cover release button, then empty the contents.

Fig. F-1

2. Push the dust cup release switch in the direction indicated by the arrow, then gently remove the dust cup from the vacuum.

Fig. F-2

3. Remove the pre-filter first, then lift the handle of the cyclone assembly and turn it counterclockwise until it stops, then pull to lift out the cyclone assembly.

Fig. F-3

4. Wipe the dust cup with a soft wet cloth. Pay attention to wringing out the cloth before using.

Fig. F-4

⚠ To reduce the risk of electric shock, do not rinse the dust cup with water.

5. Rinse the cyclone assembly and pre-filter until they are clean. After washing, air dry for at least 24 hours.

Fig. F-5

Note:

- It is recommended to clean the dust cup once every month.
- It is recommended to clean the pre-filter at least once every 3 months and the cyclone system at least once every 6 months.

Installing the Dust Cup, Pre-Filter, and Cyclone Assembly

1. Insert the cyclone assembly vertically into the dust cup, and make sure that the handle of the cyclone assembly line up with the slot on the left side of the dust cup. Turn the handle clockwise until it locks, then flip the handle down.
2. Place the pre-filter with its front side facing up into the cyclone assembly.

Fig. F-6

3. Slightly tilt the dust cup so the slot aligns with the clip on the vacuum. Then gently push the dust cup until it clicks into place.

Fig. F-7

Cleaning the Filter

It is recommended to clean the filter once every 4 to 6 months.

Fig. F-8

1. Remove the dust cup as shown in the figure.
2. Remove the filter from the vacuum by pulling it down in the direction shown in the figure.

Fig. F-9

3. Clean the filter with clean water. Make sure you rotate the filter 360° to thoroughly and remove all dust caught in the filter. Lightly tap the filter several times to remove

any excess dirt.

Fig. F-10

4. Allow the filter to air dry for 24 hours.

Fig. F-11

Note:

- Only use clean water to wash the filter. Do not use detergent.
- Do not attempt to clean the filter with a brush or finger.
- It is recommended to clean the filter once every 4 to 6 months.

Installing the filter

1. Insert the filter into the vacuum and gently press down, as illustrated.

2. Reinstall the dust cup.

Fig. F-12

2. Reinstall the dust cup.

Fig. F-13

Cleaning the Smart Multi-Surface Brush

1. Turn the lock counterclockwise until it stops, then remove the roller from the roller brush.

Fig. F-14

2. Use scissors to cut off the hairs and fibers that get stuck on the brush roller. Wipe the dust from the notch and transparent cover with a dry cloth or paper towel. Thoroughly dry before use.

Fig. F-15

3. When it is dirty, rinse the brush roller with clean water until it is clean.

Fig. F-16

4. Stand the brush roller upright for at least 24 hours until it is fully dry.

Fig. F-17

Cleaning the Spin Mop Head

Remove the mop pad after the mop head is flipped. Rinse the mop pad until it is clean,

and thoroughly dry it before re-installing.

Fig. F-18

Note:

- Before storing the mop head for an extended period, empty the water tank and turn the outflow control switch to OFF.
- Before cleaning, make sure that the vacuum is powered off.

Cleaning the Motorized Mini-Brush

1. Use a coin as illustrated to rotate the lock counterclockwise until you hear a click.

Fig. F-19

2. After unlocking the motorized mini-brush, remove the brush roller, then rinse and clean it.

Fig. F-20

3. Stand the brush roller upright in a well-ventilated area for at least 24 hours until it is fully dry.

Fig. F-21

4. Once the brush roller is dry, reinstall it by following the disassembly steps in reverse.

Fig. F-22

Battery Pack

The vacuum contains a removable rechargeable lithium-ion battery pack which has a limited number of recharge cycles. After extended use, the battery pack may no longer hold a charge. If this happens, it means the battery pack has reached the end of its life cycle and needs to be replaced.

1. Press down the battery pack release button and slide the battery pack to the right, as illustrated, to remove it.

2. Install the new battery pack.

Fig. F-23

Specifications

| Vacuum | | | |
|---------------------------------------|----------------------------------|------------------------------|-------------------------|
| Model | VZV15A | | |
| Charging Voltage | 34 V --- | Rated Voltage | 28.8 V --- |
| Rated Power | 425 W | Charging Time | Approx. 4 hours |
| Motorized Mini-Brush | | | |
| Model | VMM4 | | |
| Rated Power | 20 W | Rated Voltage | 25.2 V --- |
| Smart Multi-Surface Brush | | | |
| Model | VMB9 | | |
| Rated Power | 40 W | Rated Voltage | 25.2 V --- |
| Spin Mop Head | | | |
| Model | VRM01 | | |
| Rated Power | 40 W | Rated Voltage | 25.2 V --- |
| Charger | | | |
| Model | ZD024M340090EU/TPQ-88E340090VW01 | | |
| Input | 100-240 V 50/60 Hz 0.8 A | Output | 34 V --- 0.9 A |
| Average Active Efficiency | 87.01% | Efficiency at Low Load (10%) | 87.01% |
| No-load Power Consumption | | 0.1 W | |
| Rechargeable Lithium-Ion Battery Pack | | | |
| Model | V2213V-8S1P-BWA | | |
| Nominal Voltage | 28.8 V --- | Nominal Capacity | 2500 mAh |
| Rated Capacity | 2300 mAh | Energy | 66.24 Wh |

If the vacuum is not working properly, please refer to the table below.

| Errors | Possible Causes | Solutions |
|--|--|---|
| Vacuum does not work. | The appliance is out of battery or its battery level is low. | Fully charge the vacuum, then resume use. |
| | Overheat protection mode triggered by a blockage. | Clean the suction openings or air duct. Wait until the vacuum cools down, then reactivate it. |
| | The suction opening or air duct is blocked. | Clear any blockages from suction opening or air duct. |
| Weak suction force. | Dust cup is full and/or filter assembly is clogged. | Empty the dust cup and clean the filter assembly. |
| | Attachment is blocked. | Clear any blockages in the attachment. |
| The motor makes a strange noise. | Main suction opening or extension rod is blocked. | Clear any blockage in the main suction opening or extension rod. |
| | Spin mop head sucks in large amounts of liquid, causing damage to the motor. | Avoid using spin mop head to clean up large amounts of liquid stains. |
| The first indicator is red when charging the vacuum. | The battery pack is damaged. | Please contact after-sales service to arrange maintenance. |
| The first indicator blinks red when charging the vacuum. | The charger is incompatible. | Only use the original charger to charge the vacuum. |

| Errors | Possible Causes | Solutions |
|--|--|---|
| The battery indicator does not light up when charging. | The charger does not plug into the vacuum well. | Check whether the charger is properly plugged into the vacuum. |
| | The battery is charged and switches to Sleep Mode automatically. | The vacuum runs normally. |
| | The problem persists after ruling out the above two possibilities. | Please contact the after-sales department for maintenance. |
| The vacuum charges slowly. | The battery temperature is too low or too high. | Wait until the battery temperature returns normal, and then recharge. |
| LED lights of the smart multi-surface brush do not work. | LED lights are damaged. | Please contact the aftersales department for maintenance. |





The lithium-ion battery pack contains substances that are hazardous to the environment. Before disposing of the vacuum, please remove the battery pack, then discard or recycle it in accordance with local laws and regulations of the country or region it is used in.

The appliance must be disconnected from the power supply when removing the battery. Keep batteries out of the reach of children. Never put batteries in mouth. If swallowed, contact your physician or local poison control.

Under abusive conditions, never contact the battery from which the liquid may be ejected. If contact accidentally occurs, rinse with water. If liquid contacts eyes, seek medical help immediately. Liquid ejected from the battery may cause irritation or burns.

Troubleshooting

If the vacuum is not working properly, the screen display will show an error message. Please refer to the troubleshooting table to find your solution.

| Error Icon | Status | Error Message | Solutions |
|---|-----------------|------------------------|---|
|  | Blinking orange | Air duct blocked | Check whether the dust cup, extension rod, smart multi-surface brush, or motorized mini-brush is blocked. |
|  | Blinking orange | Brush roller stuck | Refer to the [Cleaning the Smart Multi-Surface Brush] section to clean the debris and hair tangled on the brush roller. |
|  | Solid orange | Filter is expiring | Please replace the filter in time. |
|  | Blinking red | High-temperature alert | Please wait until the motor temperature returns normal. |
| If one of the error codes from E0 to E4 appears on the display screen, please contact the after-sales service team. | | | |

WEEE Information



All products bearing this symbol are waste electrical and electronic equipment (WEEE as in directive 2012/19/EU) which should not be mixed with unsorted household waste. Instead, you should protect human health and the environment by handing over your waste equipment to a designated collection point for the recycling of waste electrical and electronic equipment, appointed by the government or local authorities. Correct disposal and recycling will help prevent potential negative consequences to the environment and human health. Please contact the installer or local authorities for more information about the location as well as terms and conditions of such collection points.

Инструкции по технике безопасности

Во избежание травм из-за случайного поражения электрическим током или воспламенения в результате неправильной эксплуатации изделия перед началом использования внимательно прочитайте руководство по эксплуатации.

Предупреждение

- Данное изделие не должно использоваться людьми с ограниченными физическими или интеллектуальными возможностями и нарушениями в работе органов чувств, а также лицами, не имеющими соответствующего опыта и знаний (включая детей), за исключением случаев, когда изделие используется под наблюдением или руководством ответственного лица для гарантии безопасности.
- Детям строго запрещено использовать данное изделие по назначению или в качестве игрушки. Будьте крайне осторожны во время использования изделия вблизи детей. Детям строго запрещено чистить или ремонтировать изделие без присутствия взрослых.
- Строго запрещено использовать изделие на открытом воздухе или влажной поверхности. Используйте изделие только на сухой поверхности внутри помещения, не прикасайтесь к штепсельной вилке или любой другой части изделия мокрыми руками.
- Во избежание воспламенений, взрывов или травм проверьте литиевый аккумулятор и зарядное устройство перед началом использования на наличие повреждений. Запрещено использовать пылесос, если литиевая батарея или зарядное устройство повреждены.
- Используйте только оригинальное зарядное устройство, не используйте неофициальный адаптер, так как это может привести к возгоранию литиевого аккумулятора.
- Не используйте изделие для удаления воды, легковоспламеняющихся или взрывоопасных жидкостей, таких как бензин и т. д. Не используйте изделие для удаления токсичных растворов, таких как хлорный отбеливатель, аммиак, чистящие средства для канализации, или других жидкостей.
- Запрещено использовать пылесос для очистки извести, цемента, гипсового порошка, каминной золы и пепла, а также для дыма или зажигательных средств, таких как угли, окурки или спички.
- Перед началом эксплуатации проверьте зону для уборки. В случае обнаружения крупных листов бумаги, бумажных шариков, пластиковых или острых предметов (например, стекло, гвозди, винты, монеты и т. д.), а также элементов крупнее диаметра трубочки для напитков удалите их, чтобы избежать засорения всасывающей трубы и нарушения нормальной работы изделия.
- Держите волосы, распущенную одежду, пальцы и другие части тела подальше от отверстий вакуума и движущихся частей. Не направляйте удлинитель, палочку или инструменты на глаза или уши и не кладите их в рот.
- Запрещено ставить какие-либо предметы на всасывающее отверстие. Не используйте пылесос, если всасывающее отверстие засорилось. Наличие

больших кусков пыли, ваты, волос и других предметов может привести к ослаблению воздушного потока. Своевременно проводите очистку.

- Не прислоняйте пылесос к неустойчивым предметам, таким как стул или обеденный стол, чтобы не повредить пылесос и не травмировать пользователя в результате падения пылесоса. При повреждении или неисправности пылесоса в результате падения, обратитесь к официальному сервисному представителю. Не разбирайте изделие самостоятельно.
- Заряжайте батарею в строгом соответствии с инструкциями. В случае неправильной зарядки и превышении указанного диапазона температуры, батарея может быть повреждена.
- Используйте только аксессуары и запасные части, рекомендованные производителем.
- Будьте предельно внимательны во время использования изделия для уборки лестницы.
- Извлеките штепсельную вилку перед техническим обслуживанием или ремонтом, а также в случае продолжительного хранения изделия.
- Не проводите сборку, не заряжайте и не используйте данное изделие на улице, в ванной комнате или вблизи бассейна.
- Предупреждение об опасности возгорания: не наносите какие-либо ароматизаторы на фильтр данного изделия - химические вещества, содержащиеся в таких изделиях являются легковоспламеняющимися и могут привести к возгоранию.
- В случае выброса материала аккумуляторов эвакуируйте персонал из опасной зоны до остывания аккумуляторов и рассеивания паров.
- Обеспечьте максимальную вентиляцию для удаления опасных газов и не допускайте контакта паров с кожей и глазами или их вдыхания.
- Удалите пролитую жидкость с помощью абсорбента и уничтожьте отходы посредством сжигания.
- Запрещается использовать и хранить изделие в экстремальных температурных условиях (ниже 0°C или выше 40°C). Используйте оригинальный адаптер питания и проводите подзарядку при температуре от 0°C до 40°C.
- Меры предосторожности при хранении и транспортировке:
 - Продукт должен транспортироваться в упаковке. Не подвергайте продукт давлению или ударам во время транспортировки.
 - Пожалуйста, избегайте сильных столкновений во время транспортировки.
 - Не транспортируйте пылесос при температуре выше 50°C или ниже -20°C.
- В случае краткосрочного хранения, например одного месяца, пылесос рекомендуется хранить при температуре от -20 °C до 50 °C и относительной влажности 60% ± 5%. В случае длительного хранения пылесос рекомендуется хранить при температуре окружающей среды от 0 °C до 40 °C.
- Утилизируйте пылесос надлежащим образом. Когда его срок службы подойдет к концу, утилизируйте пылесос в соответствии с местными законами и правилами страны или региона, в котором он используется.
- Правила и условия реализации: без ограничений. Импортёр продает этот

продукт; информацию об импортере см. на упаковке.

- Сведения об импортере и контактная информация отдела послепродажного обслуживания указаны на упаковке.
- Дата изготовления: см. на упаковке.
- Срок службы продукции 3 года.
- Данное изделие подходит исключительно для домашнего использования.
- Клеммы питания не должны быть закорочены.



Прочитать руководство по эксплуатации



Съемный блок питания



Только для использования в помещении

Мы, компания Dreame Trading (Tianjin) Co., Ltd., настоящим заявляем, что данное изделие соответствует требованиям всех действующих директив ЕС и европейских стандартов со всеми изменениями и дополнениями. Полный текст декларации о соответствии нормативным требованиям ЕС доступен по адресу: <https://global.dreametech.com>

Подробное электронное руководство см. по адресу <https://global.dreametech.com/pages/user-manuals-and-faqs>

Описание изделия

Список аксессуаров

1. Удлинитель
2. Интеллектуальная многоповерхностная щетка
3. Модуль с вращающимися швабрами
4. Универсальный инструмент
5. Электрическая минищетка
6. Зарядное устройство
7. Комбинированный инструмент
8. Насадка для швабры, 4 шт. (предустановлено 2 шт.)
9. Настенное крепление (в комплект входят 2 винта, 2 дюбеля и наклейка с установочным шаблоном)

Рис. А

Примечание: Все иллюстрации в данном руководстве приведены исключительно для справки. По внешним параметрам ориентируйтесь на фактический вид изделия.

Название детали

1. Кнопка регулировки скорости
2. Дисплей
3. Блок активации
4. Кнопка разблокировки удлинительной трубки
5. Удлинитель
6. Интеллектуальная многоповерхностная щетка
7. Антистатический контакт
8. Разъем для зарядки
9. Индикатор состояния аккумулятора
10. Кнопка снятия аккумулятора

11. Кнопка питания

- Нажмите, чтобы включить
- Отпустите, чтобы выключить

12. Контейнер для пыли

13. Кнопка снятия нижней крышки контейнера для пыли

14. Кнопка отсоединения щетки

Рис. В-1

Описание функций дисплея

1. Блок активации

Однократно нажмите, чтобы войти в состояние блокировки/выйти из состояния блокировки.

2. Режим блокировки

3. Уровень заряда аккумулятора в процентах

Когда на дисплее отображается «LO», это означает, что уровень заряда аккумулятора ниже 10 %.

4. Уровень всасывания

Цвет значка в форме вентилятора меняется в зависимости от режима.

5. Кнопка регулировки скорости

Однократно нажмите на переключатель, чтобы выбрать один из режимов: экономичный, средний или турбо.

Примечание: При каждом включении пылесоса по умолчанию используется средний режим.

6. ⚡ Индикатор зарядки/уровня заряда аккумулятора

Мигает красным: Уровень заряда аккумулятора $\leq 10\%$

Медленно мигающий красный: Уровень заряда аккумулятора $\leq 10\%$ (заряжается)

Медленно мигающий зеленый: Уровень заряда аккумулятора $> 10\%$ (заряжается)

7. Средний

8. Экономичный

9. Турбо

Устранение неисправностей

Примечание: В случае неисправности

работы пылесоса на дисплее появится информация о проблеме. Внимательно прочитайте указанную информацию и изучите таблицу неисправностей для ее устранения.

Примечание: Все иллюстрации в данном руководстве приведены исключительно для справки. По внешним параметрам ориентируйтесь на фактический вид изделия.

Fig. B-2

Модуль с вращающимися швабрами

1. Кнопка освобождения модуля с вращающимися швабрами
2. Переключатель регулировки выходящего потока
 - Низкий ●● Высокий ○ Выкл
3. Пробка бака для воды

Fig. B-3

Инструкция по установке и сборке

Рис. С-1  Вставьте до щелчка

Диаграмма установки настенной подставки

1. Нижний край наклейки с установочным шаблоном должен быть параллелен земле и находиться от нее на высоте около 107 см.
2. При помощи перфоратора со сверлом 8 мм просверлите отверстия согласно отметка на стикере и вставьте дюбель в каждое отверстие.
3. Соедините отверстия на подставке с отверстиями на стене. Закрепите подставку на стене с помощью винтов в комплекте.

Рис. С-2

Примечание:

- Настенная подставка не является обязательным аксессуаром. Выполните установку по необходимости.
- Настенную подставку необходимо устанавливать на прохладной сухой поверхности рядом с электрической розеткой. Перед установкой убедитесь, что непосредственно за местом установки не проходят электрические провода и трубы.

Зарядка

Перед первым использованием зарядите пылесос до полной зарядки.

Примечание:

Настенная подставка не является обязательным аксессуаром. Выполните установку по необходимости.

Настенную подставку необходимо устанавливать на прохладной сухой поверхности рядом с электрической розеткой. Перед установкой убедитесь, что непосредственно за местом установки не проходят электрические провода и трубы.

Режимы зарядки

Зарядка с помощью зарядного устройства

Рис. D-1

Индикатор состояния аккумулятора

- ● ☀ Низкий уровень заряда
- ☀ ○ Средний уровень заряда
- ☀ ○ ○ Почти полный уровень заряда
- ○ ○ Полный уровень заряда

- Выкл.
- ☀ Мигание
- Вкл.

Рис. D-2

Примечание:

Через 5 минут после окончания зарядки индикатор погаснет, а пылесос перейдет в энергосберегающий режим.

Способы отображения уровня зарядки

Дисплей

Цифровое отображение уровня заряда на дисплее во время зарядки. Цифра 100 означает, что аккумулятор полностью заряжен.

Правила эксплуатации изделия

Рабочие режимы


Доступны 2 режима работы робота-пылесоса, которые могут быть выбраны в зависимости от требований к уборке.

Режим 1: "прерывистая уборка"

Нажмите и удерживайте кнопку питания, чтобы включить устройство, и отпустите кнопку, чтобы сразу же его выключить.

Рис. Е-1

Режим 2: "непрерывная уборка"

В рабочем состоянии пылесоса нажмите кнопку , чтобы включить режим безостановочной работы. Затем отпустите выключатель пылесоса, чтобы перейти в режим безостановочной работы.


С помощью функции Блок активации вы можете не удерживать кнопку переключения постоянно для защиты от усталости.

Рис. Е-2

Примечание:

- В режиме безостановочной работы постоянно светится индикатор

блокировки.

- Повторно нажмите на кнопку  Блок активации, чтобы выйти из режима непрерывной уборки.

Сценарии использования аксессуаров

Интеллектуальная многоповерхностная щетка

- При использовании на детских игровых ковриках, коврах или для пылесоса кофейных зерен, поп-корна и других гранул включите переключатель на щетке.

- При пылесосе на плитке, деревянных полах или других твердых поверхностях выключайте выключатель.

Рис. Е-3

Примечание:

- Интеллектуальная многоповерхностная щетка можно прикрепить непосредственно к пылесосу.
- При запуске прибора автоматически включаются индикаторы перед валиком щетки, что удобно для использования.

Электрическая минищетка

используется для уборки грязи, шерсти животных и других стойких загрязнений на диване, матрасе и других тканевых поверхностях.

Рис. Е-4

Примечание: Не рекомендуется использовать пылесос для уборки поверхностей, на которых могут остаться зацепки и царапины (напр. Шелк).

Модуль с вращающимися швабрами

1. Установите насадку для швабры

1) Смочите насадку для швабры и выжмите лишнюю воду.

2) Совместите центральное отверстие насадки с крепежным винтом в центре нижней вращающейся пластины. Плотно прижмите швабру, чтобы убедиться, что она правильно прикреплена.

2. Залейте воду

1) Бак для воды имеет емкость 200 мл. Не добавляйте химикаты, чтобы не повредить бак.

2) Откройте пробку бака для воды.

3) Добавьте воду.

3. Начало уборки

1) Установите модуль с вращающимися швабрами на работа.

2) Однократно нажмите кнопку включения/выключения, и чистящая пластина начнет вращаться.

Fig. E-5

- Меры предосторожности:
- Используйте только насадку для швабры, входящую в комплект поставки.
- Во время влажной уборки мощность всасывания у пылесоса остается неизменной на любых уровнях.
- Перед началом влажной уборки смочите насадку для швабры и выжмите лишнюю воду.
- Во избежание повреждений не наступайте на модуль с вращающимися швабрами или насадку для швабры.

Примечание:

- В случае заклинивания какой-либо вращающейся детали пылесос может автоматически отключиться. Уберите застрявшие посторонние предметы и продолжите уборку.
- В случае перегрева двигателя пылесос автоматически отключится. Подождите, пока температура аккумулятора нормализуется, а затем продолжите уборку.

Универсальный инструмент

используется для очистки штор, клавиатуры, потолочной плитки, салона автомобиля, кофейных столиков и т. д.

Fig. E-6

Комбинированный инструмент

Подходит для чистки щелей, углов дверей и окон, лестниц и других труднодоступных мест.

Рис. E-7

Примечание:

- Не размещайте пылесос на настенной подставке отдельно.
- Перед этим необходимо подсоединить удлинительную трубку и Интеллектуальные многоповерхностные щетки.

Рис. E-8

Примечание:

- В случае заклинивания какой-либо вращающейся детали пылесос может автоматически отключиться. Уберите застрявшие посторонние предметы и продолжите уборку.
- В случае перегрева аккумулятора пылесос автоматически отключится. Подождите, пока температура аккумулятора нормализуется, а затем продолжите уборку.

Уход и ремонт

Меры предосторожности

- Используйте оригинальные запчасти, иначе гарантия может быть аннулирована.
- В случае засорения фильтра, насадки или умной многофункциональной щетки робот-пылесос может выключиться сразу после запуска. Очистите засоренные детали перед повторным запуском.
- Если пылесос не будет использоваться в течение длительного периода времени, отключите адаптер питания от розетки при полной зарядке и храните его в прохладной среде с низким уровнем влажности вдали от прямых солнечных лучей. Чтобы избежать повреждения аккумулятора из-за чрезмерной разрядки, подзаряжайте пылесос не реже одного раза в 3 месяца.

Очистка пылесоса

Протрите пылесос мягкой сухой тряпкой.

Очистка контейнера для пыли, фильтра предварительной очистки и циклонного блока

Если контейнер для пыли заполнен до отметки "MAX", эффективность работы

пылесоса может значительно снизиться. Для оптимальной работы своевременно очищайте контейнер для пыли. Перед очисткой контейнера убедитесь, что пылесос отключен от розетки, и не нажимайте кнопку "Пуск".

1. Нажмите кнопку снятия нижней крышки контейнера для пыли в направлении, обозначенном стрелкой, а затем откройте крышку и извлеките содержимое контейнера.

Рис. F-1

2. Нажмите кнопку извлечения контейнера для пыли в направлении, обозначенном стрелкой, как показано на Рис. 1, а затем извлеките контейнер для пыли из пылесоса, как на Рис. 2.

Рис. F-2

3. Сначала снимите фильтр предварительной очистки, поверните ручку циклонного блока против часовой стрелки до упора, а затем извлеките циклонный блок.

Рис. F-3

4. Протрите пылесборник мягкой влажной тканью. Обратите внимание на отжатие ткани перед использованием.

Рис. F-4

⚠ Контейнер для пыли содержит электрические компоненты. Запрещено промывать контейнер водой!

5. Тщательно промойте фильтр предварительной очистки и циклонный блок, а затем отложите минимум на 24 часа для полной просушки.

Рис. F-5

Примечание:

- Контейнер для пыли следует промывать как минимум раз в месяц.
- Рекомендуется очищать фильтр предварительной уборки не реже

одного раза в 3 месяца, а циклонный блок — не реже одного раза в 6 месяцев.

Установка контейнера для пыли, фильтра предварительной очистки и циклонного блока

1. Вставьте циклонный блок вертикально в контейнер для пыли так, чтобы ручка циклонного блока соединилась с отверстием на левой стенке контейнера для пыли. Поверните ручку по часовой стрелке до упора, а затем опустите ее.

2. Вставьте фильтр предварительной очистки в циклонный блок передней стороной вверх.

Рис. F-6

3. Слегка наклоните контейнер для пыли, чтобы его отверстие соединилось с фиксатором на пылесосе. Затем осторожно нажмите на контейнер в направлении, обозначенном стрелкой, до щелчка, чтобы завершить установку.

Рис. F-7

Очистка фильтра

Рекомендуется очищать фильтр каждые 4–6 месяцев.

1. Извлеките контейнер для пыли так, как показано на рисунке.

Рис. F-8

2. Достаньте фильтр из пылесоса движением вниз, как показано на рисунке.

Рис. F-9

3. Промойте фильтр чистой водой, поворачивая фильтр на 360°, чтобы полностью удалить накопившуюся в нем пыль. Несколько раз слегка постучите по фильтру, чтобы убрать избыток грязи.

Рис. F-10

4. Просушите фильтр в течение как минимум 24 часов.

Рис. F-11

Примечание:

- Промывайте фильтр только чистой водой. Не используйте чистящие средства.
- Не очищайте фильтр щеткой или пальцами.

Установка фильтра

1. Вставьте фильтр в пылесос и слегка нажмите на него, как показано на рисунке.

Рис. F-12

2. Установите контейнер для пыли на место.

Рис. F-13

Очистка интеллектуальной многоповерхностной щетки

1. Поверните блок против часовой стрелки до упора, затем снимите ролик с роликовой щетки.

Рис. F-14

2. С помощью ножниц срежьте волосы и ткань, застрявшие на роликовой щетке. Сотрите пыль с паза и прозрачной крышки сухой тканью или бумажным полотенцем. Перед использованием тщательно просушите.

Рис. F-15

3. Если роликовая щетка загрязнится, промойте ее водой до чистоты.

Рис. F-16

4. Поставьте роликовую щетку вертикально и оставьте минимум на 24 ч до полного высыхания.

Рис. F-17

Очистка модуля с вращающимися швабрами

Повернув модуль с швабрами, снимите насадку для швабры. Промойте насадку

для швабры до тех пор, пока она не станет чистой, а затем тщательно высушите ее, прежде чем установить обратно на место.

Рис. F-18

Примечание:

- Прежде чем убрать модуль с швабрами на длительное хранение, опорожните бак для воды и переведите переключатель регулировки выходящего потока в положение ВЫКЛ.
- Перед началом чистки убедитесь, что пылесос выключен.

Очистка электрической минищетки

1. С помощью монетки поверните замок против часовой стрелки до щелчка.

Рис. F-19

2. После разблокировки электрической минищетки снимите роликовую щетку, затем ополосните и очистите ее.

Рис. F-20

3. Поставьте роликовую щетку вертикально в хорошо вентилируемом месте минимум на 24 ч до полного высыхания.

Рис. F-21

4. Когда роликовая щетка высохнет, установите ее на место в последовательности, обратной установке.

Рис. F-22

Аккумулятор

Пылесос содержит съемный литий-ионный аккумулятор с ограниченным количеством циклов зарядки. После продолжительного использования аккумулятор может перестать держать заряд. Это означает, что срок службы аккумулятора подошел к концу и его требуется заменить.

1. Нажмите кнопку снятия аккумулятора и сдвиньте аккумулятор вправо, как показано на рисунке, чтобы снять его.

2. Вставьте новый аккумулятор.

Рис. F-23

Технические характеристики

| Беспроводной пылесос | | | |
|---|----------------------------------|---|----------------|
| Модель | VZV15A | | |
| Напряжение при зарядке | 34 V === | Номинальное напряжение | 28,8 V === |
| Номинальная мощность | 425 W | Время зарядки | Около 4 ч. |
| Электрическая минищетка | | | |
| Модель | VMM4 | | |
| Номинальная мощность | 20 W | Номинальное напряжение | 25,2 V === |
| Интеллектуальная многоповерхностная щетка | | | |
| Модель | VMB9 | | |
| Номинальная мощность | 40 W | Номинальное напряжение | 25,2 V === |
| Модуль с вращающимися швабрами | | | |
| Модель | VRM01 | | |
| Номинальная мощность | 40 W | Номинальное напряжение | 25,2 V === |
| Адаптер | | | |
| Модель | ZD024M340090EU/TPQ-88E340090VW01 | | |
| Входное | 100-240 V ~ 50/60 Hz 0,8 A | Выход | 34 V === 0,9 A |
| Средний КПД в активном состоянии | 87,01% | Эффективность при низкой нагрузке (10%) | 87,01% |
| Энергопотребление без нагрузки | | 0,1 W | |
| Перезаряжаемый литий-ионный аккумулятор | | | |
| Модель | V2213V-8S1P-BWA | | |
| Расчетное напряжение | 28,8 V === | Номинальная емкость | 2500 mAh |
| Реальная емкость | 2300 mAh | Энергия | 66,24 Wh |

Вопросы и ответы

Если пылесос перестал работать в нормальном режиме, см. таблицу устранения неисправностей ниже.

| Неисправность | Возможная причина | Решение |
|--|---|---|
| Пылесос не работает. | Аккумулятор устройства разряжен или имеет низкий уровень заряда. | Полностью зарядите пылесос, а затем продолжите использование. |
| | В результате засорения автоматически включился режим защиты от перегрева. | Подождите, пока пылесос остынет, а затем заново включите его. |
| | Отверстие для всасывания или воздушное отверстие засорилось. | Удалите засор из всасывающего отверстия или воздуховода. |
| Сила всасывания снизилась. | Заполнен контейнер для пыли и/или засорен фильтр. | Очистите контейнер для пыли и очистите блок фильтра. |
| | Аксессуар засорился. | Очистите аксессуар от загрязнений. |
| Посторонние шумы в двигателе. | Основное отверстие для всасывания или удлинитель засорились. | Очистите основное отверстие для всасывания или удлинитель от загрязнений. |
| | Модуль с вращающимися швабрами всасывает большое количество жидкости, что приводит к повреждению двигателя. | Избегайте использования модуля с вращающимися швабрами для уборки большого количества пятен жидкости. |
| Первый индикатор горит красным во время зарядки пылесоса. | Аккумулятор поврежден. | По вопросам техобслуживания свяжитесь с службой послепродажного обслуживания. |
| Во время зарядки пылесоса первый индикатор мигает красным. | Используется несовместимое зарядное устройство. | Используйте только оригинальное зарядное устройство для зарядки пылесоса. |

Вопросы и ответы

| Неисправность | Возможная причина | Решение |
|--|--|---|
| Во время зарядки пылесоса индикатор заряда не горит. | Зарядное устройство не подключено к пылесосу. | Убедитесь, что зарядное устройство подключено правильно. |
| | Аккумулятор полностью заряжен и перешел в спящий режим. | Пылесос готов к использованию. |
| | Если после устранения обоих указанных выше ситуаций проблема по-прежнему не устранена. | Обратитесь в отдел послепродажного обслуживания компании для проведения ремонта. |
| Медленная зарядка аккумулятора | Слишком низкая или слишком высокая температура аккумулятора. | Подождите, пока температура аккумулятора не вернется к норме, а затем зарядите его. |
| Светодиодные индикаторы интеллектуальной многоповерхностной щетки не работают. | LED лампы повреждены. | Обратитесь в отдел послепродажного обслуживания компании для проведения ремонта. |

Литий-ионный аккумулятор содержит вещества, представляющие опасность для окружающей среды. Перед утилизацией пылесоса сначала выньте аккумулятор и утилизируйте или сдайте его на переработку в соответствии с местными законами и правилами страны или региона эксплуатации.

При извлечении аккумулятора необходимо отключить прибор от электропитания. Храните аккумуляторы в недоступном для детей месте. Запрещается класть аккумуляторы в рот. В случае проглатывания свяжитесь с терапевтом либо местным отделом контроля опасных веществ.

В условиях, противоречащих установленным, запрещается прикасаться к аккумулятору, из которого вытекает жидкость. Если контакта не удалось избежать, промойте место контакта водой. В случае попадания аккумуляторной жидкости в глаза, немедленно обратитесь за медицинской помощью. Аккумуляторная жидкость может вызывать раздражение или ожог.

Устранение неисправностей

Примечание: В случае неисправности работы пылесоса на дисплее появится информация о проблеме. Внимательно прочитайте указанную информацию и изучите таблицу неисправностей для ее устранения.

| Значок неисправности | Статус | Предупреждение о неисправности | Решения |
|---|--------------------|--------------------------------------|--|
|  | Мигающий оранжевый | Засорение воздушного отверстия | Проверьте, не заблокированы ли контейнер для пыли, удлинитель, универсальная щетка или мини-щетка с электроприводом. |
|  | Мигающий оранжевый | Щеточный валик заклинило | См. раздел [Очистка интеллектуальной многоповерхностной щетки], чтобы очистить щеточный валик от мусора и волос, запутавшихся в нем. |
|  | Сплошной оранжевый | Расход фильтра подходит к концу | Вовремя заменяйте фильтр. |
|  | Мигающий красный | Предупреждение о высокой температуре | Подождите, пока температура электродвигателя вернется к норме. |

Если на экране дисплея появляется один из кодов ошибки — от E0 до E4, обратитесь в службу послепродажного обслуживания.

Информация об утилизации и переработке отходов электрического и электронного оборудования



Все изделия с символом раздельного сбора отработанного электрического и электронного оборудования (Директива WEEE 2012/19/EU) следует утилизировать отдельно от несортируемых бытовых отходов. С целью охраны здоровья и защиты окружающей среды такое оборудование необходимо сдавать на переработку в специальные пункты приема электрического и электронного оборудования, определенные правительством или местными органами власти. Правильная утилизация и переработка помогут предотвратить возможные негативные последствия для окружающей среды и здоровья человека. Для получения информации о местонахождении и порядке приема устройств в пунктах приема обратитесь в компанию, занимающуюся установкой оборудования, или в местные органы власти.