

[Skip to content](#)

**Manuals+**

User Manuals Simplified.



## JBL TUNE 115TWS Manual

[Home](#) » [JBL](#) » [JBL TUNE 115TWS Manual](#)

*JBL TUNE 115TWS Manual*



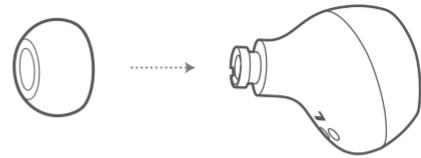
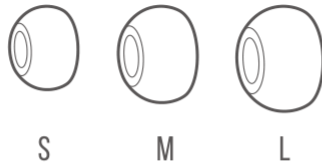
JBL TUNE 115TWS Quick Start Guide

# WHAT'S IN THE BOX



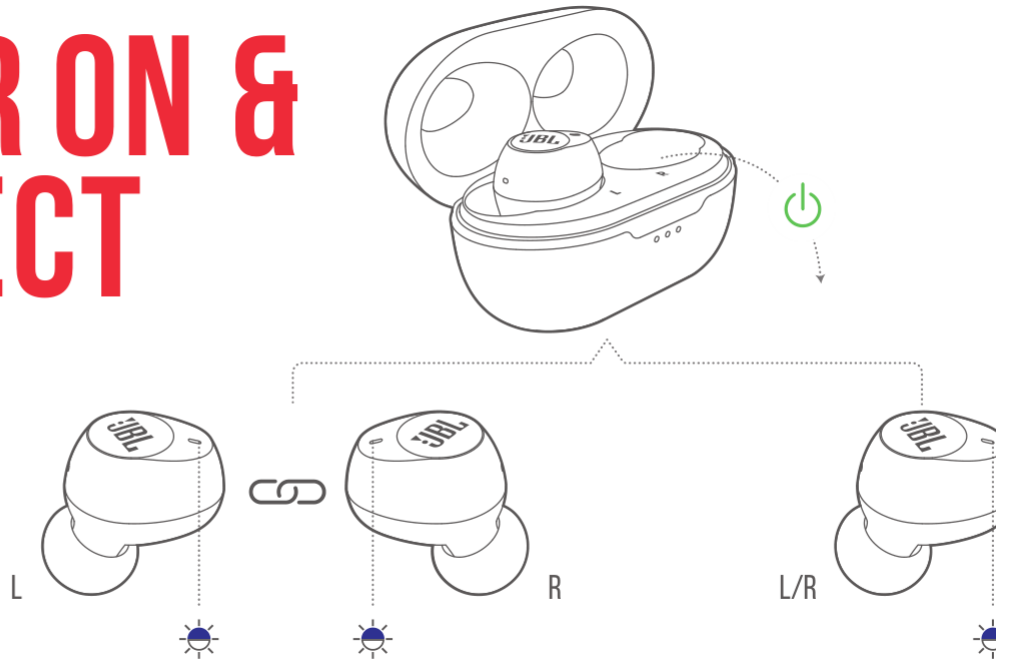
JBL TUNE 115TWS Box Content

# HOW TO WEAR



JBL TUNE 115TWS How to Wear

# POWER ON & CONNECT



JBL TUNE 115TWS power on & connect

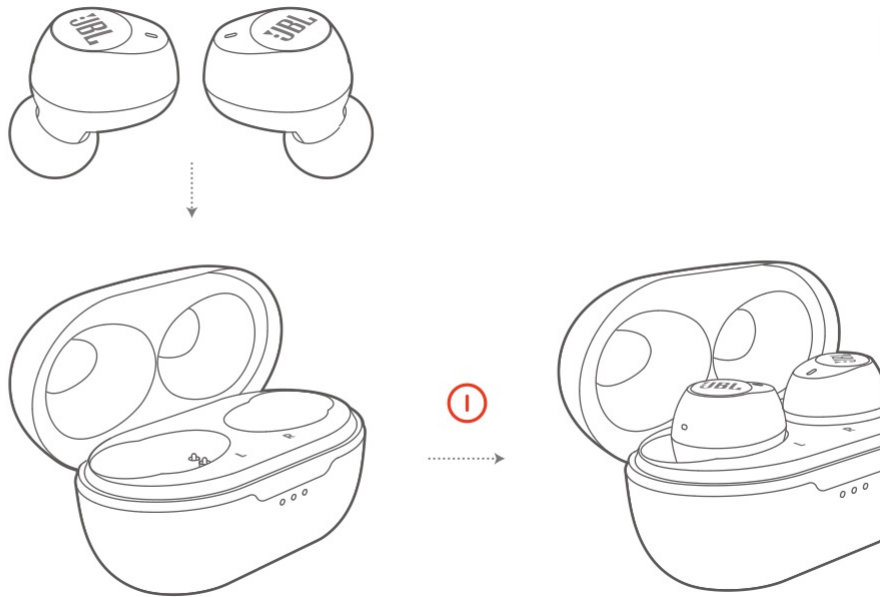
# PAIRING

The image shows a smartphone screen with the Bluetooth settings menu. The Bluetooth toggle is turned on. Under the 'DEVICES' section, 'JBL TUNE115TWS' is listed as 'Connected'. A circular inset highlights this section. A Bluetooth symbol is shown on the phone screen with the word 'ON' below it. A dotted line connects the Bluetooth symbol to the 'JBL TUNE115TWS' device in the settings.

CHOOSE "JBL TUNE115TWS" TO CONNECT

JBL TUNE 115TWS Pairing

# POWER OFF



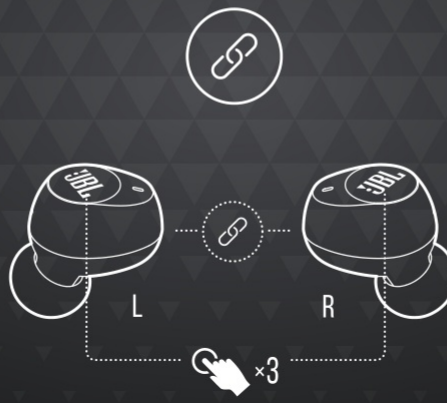
JBL TUNE 115TWS Power Off

# MANUAL CONTROLS

## POWER ON & CONNECT TO DEVICE



## RECONNECTING LEFT & RIGHT



## POWER ON



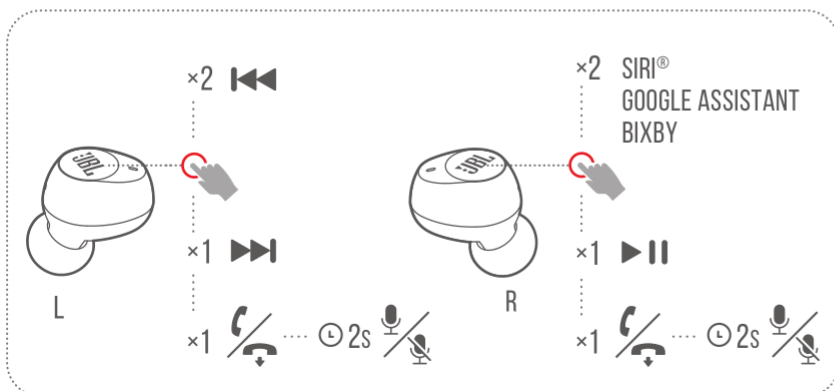
## POWER OFF



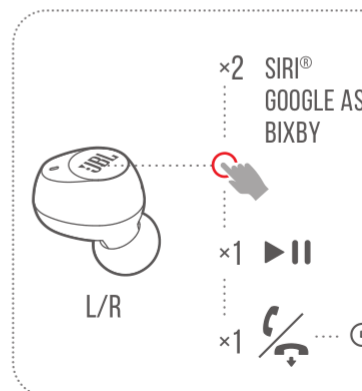
JBL TUNE 115TWS Manual Controls

# BUTTON COMMAND

## 1. STEREO MODE



## 2. MONO MODE



↔️  
SEAMLESS  
AUTOMATIC  
SWITCH

JBL TUNE 115TWS BUTTON COMMAND

# CHARGING

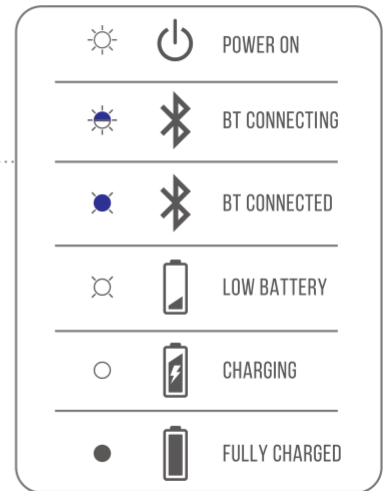
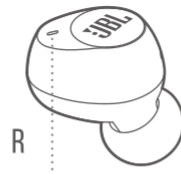
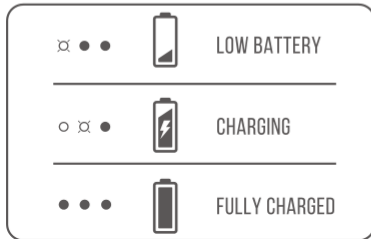
Diagram illustrating the charging case connected to a USB-C cable. The case is shown with the JBL logo on the lid. A USB-C cable is plugged into the bottom of the case.

CHARGE →

15MIN = 1H

JBL TUNE 115TWS Charging

# LED BEHAVIORS



## JBL TUNE 115TWS LED Behaviors

# TECH SPEC

Model:	TUNE115TWS
Driver size:	5.8 mm / 0.23" Dynamic driver
Power supply:	5 V --- 0.5 A
Weight:	51.8 g / 0.114 lbs
Earpiece:	5.15 g / 0.0114 lbs / pc (10.3 g / 0.0227 lbs combined)
Charging case:	41.5 g / 0.0915 lbs
Headset battery type:	Lithium-ion Battery (55 mAh / 3.7V)
Charging case battery type:	Lithium-ion Battery (410 mAh / 3.8 V)
Charging time:	< 2 hrs from empty
Music playtime with BT on:	up to 6 hrs
Frequency Response:	20 Hz – 20 kHz
Impedance:	14 ohm
Maximum SPL:	95 dB
Sensitivity:	108 dB SPL@1 kHz / 1 mW
Microphone sensitivity:	-38 dBV@1 kHz / Pa
Bluetooth version:	5.0
Bluetooth profile version:	A2DP 1.3, AVRCP 1.6, HFP 1.7
Bluetooth transmitter frequency range:	2.4 GHz - 2.4835 GHz
Bluetooth transmitter power:	< 12 dBm
Bluetooth transmitter modulation:	GFSK, π/4 DQPSK, 8DPSK
Maximum operation temperature:	45 °C

## JBL TUNE 115TWS TECH SPEC



TO PROLONG BATTERY LIFESPAN, FULLY CHARGE AT LEAST ONCE EVERY 3 MONTHS. BATTERY LIFE VARIES BY USE AND SETTINGS.

### IC RF Exposure Information and Statement

The SAR limit of Canada (C) is 1.6 W/kg averaged over one gram of tissue. Device types: (IC:6132A-TUNE115TWS) has also been tested against this SAR limit. According to this standard, the highest SAR value reported during product certification for head use is 0.197W/kg. The device was tested for typical bodily operations where the product was kept 0 mm from the head. To maintain compliance with IC RF exposure requirements, use accessories that maintain a separation distance of 0mm between the user's head and the back of the headset. The use of belt clips, holsters and similar accessories shall not contain metal parts in its assembly. Use of accessories that do not meet these requirements may not comply with IC RF exposure requirements and should be avoided.

### Head operation

The device was subjected to a typical head manipulation test. In order to comply with RF exposure requirements, a minimum separation distance of 0 cm must be maintained between the user's ear and the product (including the antenna). Head exposure that do not meet these requirements may not meet RF exposure requirements and should be avoided. Use only the supplied or approved antenna.

### IC:6132A-TUNE115TWS





The Bluetooth® word mark and logos are registered trademarks owned by Bluetooth SIG, Inc. and any use of such marks by HARMAN International Industries, Incorporated is under license. Other trademarks and trade names are those of their respective owners.



FCC ID: APITUNE 115 TWS



210-142313

---

JBL TUNE 115TWS Manual - [Optimized PDF](#)

JBL TUNE 115TWS Manual - [Original PDF](#)

#### Related Manuals:

1. [JBL Tune 115TWS True Wireless In-Ear Headphones User Manual](#) User Manual JBL Tune 115TWS True Wireless In-Ear Headphones ...
2. [JBL TUNE 500 Manual](#) TUNE 500 Wired on-ear headphones Pick up. Plug in. Play...
3. [JBL TUNE 600BTNC Manual](#) TUNE 600 BT Quick Start Guide TUNE600BT Charging cable Detachable...
4. [JBL TUNE 215BT Manual](#) JBL TUNE 215BT Manual TO PROLONG BATTERY LIFESPAN, FULLY CHARGE...
5. [JBL TUNE 120TWS Manual](#) JBL TUNE 120TWS WHAT'S IN THE BOX HOW TO WEAR...
6. [JBL TUNE 220TWS Manual](#) JBL TUNE 220TWS WHAT'S IN THE BOX HOW TO WEAR...