

70mai Dash Cam M310 User Manual



Scan the QR code and email
us at help@70mai.com



View the **User guide** for
product functions and FAQs.

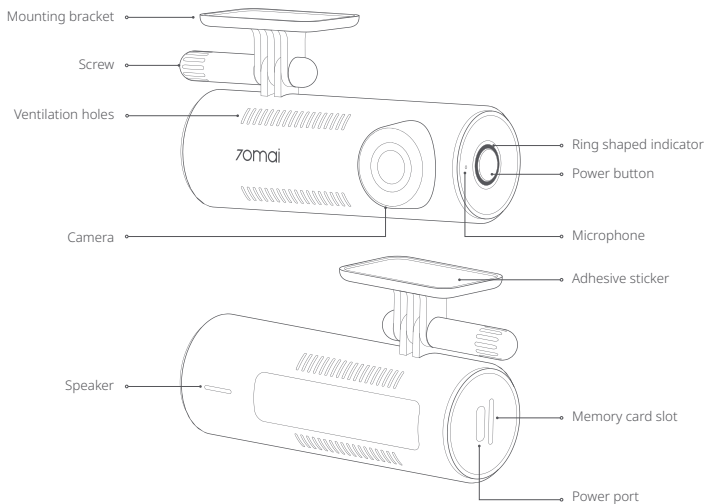
70mai

Contents

English	01
Español	10
Deutsch	18
Français	26
Italiano	34
Русский	42
Português	50
Polski	58
Magyar	66
Український	74
Čeština	82
Română	90
日本語	98
한국어	105
Tiếng Việt	112
ภาษาไทย	119
Bahasa Indonesia	126
繁體中文	133
Türkçe	140

Product overview

Please read this manual carefully before using the product and keep it in a safe place.



Package contents

- | | | |
|--------------------|------------------------------|-------------------------|
| 1. Dash Cam × 1 | 4. Electrostatic sticker × 2 | 6. Wiring trim tool × 1 |
| 2. Power cord × 1 | 5. Adhesive sticker × 1 | 7. User manual × 1 |
| 3. Car charger × 1 | | |

Note: Illustrations of the product, accessories, and user interface in the user manual are for reference purposes only. The actual product and functions may vary due to product enhancements.

Installation

1. Installing the electrostatic sticker

Paste the electrostatic sticker on the recommended area on the front windshield. Press the sticker to remove air bubbles out.

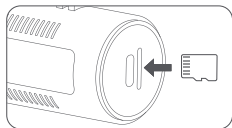
Avoid the edge of the windshield and select the flat and smooth area for the installation.

Note: Keep windshield clean and dry without liquid residue to prevent the sticker from losing adhesion and dash cam from dropping.



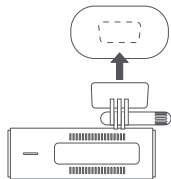
2. Installing the memory card

Insert the memory card into the card slot with the contacts side facing left, as illustrated in the figure.



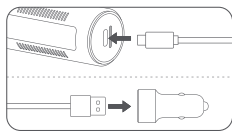
3. Mounting the dash cam

Paste the dash cam onto the electrostatic sticker.



4. Connecting the power cord

Connect the dash cam and car charger with the power cord.

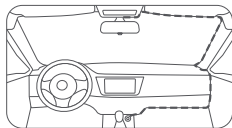


5. Routing cable

Route the power cord to the vehicle's power outlet and plug the car charger into the power outlet. Start the car engine, and the dash cam will automatically turn on.

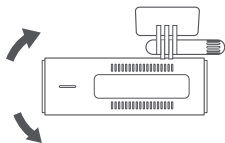
Notes:

- Use the included wiring trim tool to hide the power cord underneath the vehicle's headliner and rubber seal along the A-pillar.
- Depending on the vehicle, the power outlet may be located in a different position. The provided figure is for reference only.



6. Adjusting the camera angle

Bind the dash cam to the 70mai app and enter the dash cam's homepage. Adjust the camera angle based on the real-time image on the screen.



Button functions

Dash cam status	Operation	Function
Turned off (Dash cam should connect with power source)	Press once	Turn on the device
Turned on	Press and hold for about 3 seconds	Turn off the device
	Press once	Turn the Wi-Fi on/off
	Press 4 times in a row	Format the memory card
	Press 5 times in a row	Reset factory settings
	Press and hold for about 15 seconds	Force restart the device
Receiving the connection request from the phone	Press once	Confirm the connection authorization

Connecting with the 70mai app

This product needs to be used in conjunction with the 70mai app. Follow the steps below to connect it with the app.

1. Scan the QR code to download and install the app. Or search for "70mai" in the app store to download and install it.



Scan to download the app

2. Open the app, tap "+" in the device page, find the corresponding dash cam type and tap the dash cam image.
3. Turn on the dash cam and enable the Wi-Fi hotspot. Follow the on-screen instructions to connect the dash cam's Wi-Fi hotspot in your phone's settings.
4. Once successfully connected, go back to the 70mai app. In the device page, connect the dash cam and enter the dash cam's homepage. You can view the live video and configure the dash cam settings.

Note: Android 5.0 & iOS 11.0 or above is required to connect to the dash cam's Wi-Fi hotspot with a mobile phone.

If you need more help when connecting the app, please scan the QR code below to view the tutorial video.



Scan to view the video

The Wi-Fi hotspot information is as follows:

Hotspot name: 70mai_M310_XXXX (Please check the label on the device for the hotspot name.)

Default password: 12345678

Voice control

Dash cam supports voice control. When the dash cam is operating, voice commands from the user will trigger the corresponding functions.

If the broadcast language of the dash cam is set to Traditional Chinese, the Mandarin voice commands are supported. If any other language is set, only the English voice commands are supported. The voice commands are as follows:

Voice command	Function
Take photo	Dash cam will take a photo and save it to the album.
Lock the video	Dash cam will record an emergency video and store it in the emergency video directory.
Turn on audio	Dash cam will record audio as well as videos.
Turn off audio	Dash cam will not record audio but only videos.
Turn on hotspot	Dash cam's Wi-Fi hotspot will turn on.
Turn off hotspot	Dash cam's Wi-Fi hotspot will turn off.

Note: When the dash cam is connected to the 70mai app, voice control is not supported.

Specifications

Product: Dash Cam

Model: M310

Input: 5V = 2A

Battery capacity: 300mAh

Resolution: 2304 × 1296

Lens: FOV 130°/ F2.0

Battery type: Li-ion battery

Power supply: Car cigarette lighter

Item dimensions: 100.3 × 52.5 × 36.1mm

Wireless connectivity: Wi-Fi IEEE 802.11b/g/n 2.4GHz

Wi-Fi operation frequency: 2400-2483.5MHz

Wi-Fi maximum output: < 20dBm

Precautions

Before using this dash cam, please read all the precautions and user guide to ensure correct and safe use.

- This dash cam is a driving aid designed to record external images of the vehicle. And it does not have the function of ensuring the user's driving safety. Users must abide by local traffic rules and regulations and take driving safety as a priority consideration. Do not operate this product while driving.
- Due to differences in vehicle conditions, driving style, driving environment, and other factors, some functions may not work properly. A power failure, usage in environments outside the normal operating temperature or humidity range, a collision, or a damaged memory card may cause the dash cam to function abnormally. There is no guarantee that this dash cam will function normally under all circumstances. Videos recorded by this dash cam are for reference purposes only.
- Please install this dash cam correctly, and do not block the driver's line of sight, or block the vehicle's airbag, in order to avoid product failure or personal injury.
- If the front windshield where the dash cam is installed is covered with colored automotive film, it may affect the video recording quality or cause video distortion. If metallic film is applied to the front windshield, it may lead to a decrease in GPS signal quality for dash cam models equipped with built-in GPS modules.
- Avoid collisions or forceful jolts to the dash cam, otherwise the product may malfunction. Keep this dash cam away from any strong magnetic fields.
- Never use chemical solvent or detergent to wash the dash cam.
- Do not use this dash cam in environments with temperatures over 60°C or below -10°C.
- When the dash cam has been operating for a period of time, the temperature of the outer casing will rise, so use caution when touching it.
- Please only use this dash cam within the scope permitted by law.

Safety information

- Please use the included car charger, power cord, and other accessories in order to avoid product failure due to non-conformance. We shall not be held liable for any loss or damage caused by the use of a non-genuine car charger or power cord.
- If you use power adapter to charge the dash cam, only use the power adapters that comply with the local safety standards or certified and supplied by qualified manufacturers.
- Disposal of a battery into fire or a hot oven, or mechanically crushing or cutting of a battery, that can result in an explosion.
- Leaving a battery in an extremely high temperature surrounding environment that can result in an explosion or the leakage of flammable liquid or gas.

- A battery subjected to extremely low air pressure that may result in an explosion or the leakage of flammable liquid or gas.
- This device is equipped with a built-in battery that cannot be removed or replaced. Do not disassemble or modify the battery by yourself.
- Replacement of a battery with an incorrect type can defeat a safeguard (for example, in the case of some lithium battery types).
- The dash cam and its accessories may contain small parts. To avoid choking or other hazards or damages caused by the children, keep the dash cam out of the reach of children.

Memory card instructions

- A memory card (sold separately) must be installed in the dash cam before use.
- The dash cam supports standard microSD cards. Please use memory cards with capacity of 16GB ~ 256GB and rating of class 10, U1 or higher.
- The default file partition format of the memory card may be inconsistent with the format supported by the dash cam. When inserting the memory card for the first time, please format it in the dash cam before use. Formatting the memory card will delete all files on the card. Please back up important data to another device beforehand.
- The memory card may become damaged or deteriorated after repeated cycles of overwriting, and this may affect its ability to save video and image files. If this occurs, immediately replace it with a new memory card.
- Please use a high-quality memory card purchased from a reputable vendor. Inferior memory cards may have issues such as actual reading/writing speeds that do not match the stated speeds, and an actual storage capacity that does not match the stated storage capacity. We shall not be held liable for lost or damaged videos caused by the use of a low-quality memory card.
- Do not insert or remove a memory card while the dash cam is turned on.

Regulatory compliance information

WEEE information

All products bearing this symbol are waste electrical and electronic equipment (WEEE as in directive 2012/19/EU) which should not be mixed with unsorted household waste. Instead, you should protect human health and the environment by handing over your waste equipment to a designated collection point for the recycling of waste electrical and electronic equipment, appointed by the government or local authorities. Correct disposal and recycling will help prevent potential negative consequences to the environment and human health. Please contact the installer or local authorities for more information about the location as well as terms and conditions of such collection points.



EU declaration of conformity



The manufacturer hereby, declares that this equipment is in compliance with the applicable Directives and European Norms, and amendments. The full text of the EU declaration of conformity is available at the following internet address: <https://help.70mai.asia/1193.html>



Hereby, 70mai Co.,Ltd. declares that the radio equipment type M310 is in compliance with Radio Equipment Regulations 2017. The full text of the UKCA declaration of conformity is available at the following internet address: <https://help.70mai.asia/2145.html>

ISED compliance statement

This device contains licence-exempt transmitter(s)/receiver(s) that comply with Innovation, Science and Economic Development Canada's licence-exempt RSS(s). Operation is subject to the following two conditions:

- (1) This device may not cause interference.
 - (2) This device must accept any interference, including interference that may cause undesired operation of the device.
- L'émetteur/récepteur exempt de licence contenu dans le présent appareil est conforme aux CNR d'Innovation, Sciences et Développement économique Canada applicables aux appareils radio exempts de licence. L'exploitation est autorisée aux deux conditions suivantes:
- (1) L'appareil ne doit pas produire de brouillage;
 - (2) L'appareil doit accepter tout brouillage radioélectrique subi, même si le brouillage est susceptible d'en compromettre le fonctionnement.

ISED Radiation Exposure statement

This equipment complies with IC RSS-102 radiation exposure limits set forth for an uncontrolled environment. This equipment should be installed and operated with minimum distance 20 cm between the radiator and your body. Cet équipement est conforme aux limites d'exposition aux radiations IC CNR-102 établies pour un environnement non contrôlé. Cet équipement doit être installé et utilisé avec une distance minimale de 20 cm entre le radiateur et votre corps.

IC: 28033-M310 CAN ICES-003 (B) / NMB-003 (B)

FCC

Changes or modifications not expressly approved by the party responsible for compliance could void the user's authority to operate the equipment.

This equipment has been tested and found to comply with the limits for a Class B digital device, pursuant to Part 15 of the FCC Rules. These limits are designed to provide reasonable protection against harmful interference in a residential installation. This equipment generates, uses and can radiate radio frequency energy and, if not installed and used in accordance with the instructions, may cause harmful interference to radio communications. However, there is no guarantee that interference will not occur in a particular installation.

If this equipment does cause harmful interference to radio or television reception, which can be determined by turning the equipment off and on, the user is encouraged to try to correct the interference by one or more of the following measures:

- Reorient or relocate the receiving antenna.
- Increase the separation between the equipment and receiver.
- Connect the equipment into an outlet on a circuit different from that to which the receiver is connected.
- Consult the dealer or an experienced radio/TV technician for help.

This device complies with Part 15 of the FCC Rules. Operation is subject to the following two conditions: (1) this device may not cause harmful interference, and (2) this device must accept any interference received, including interference that may cause undesired operation.

This equipment complies with FCC radiation exposure limits set forth for an uncontrolled environment. This equipment should be installed and operated with a minimum distance of 20 cm between the radiator & your body. This transmitter must not be co-located or operating in conjunction with any other antenna or transmitter.

FCC ID: 2AOK9-M310



Service: help@70mai.com

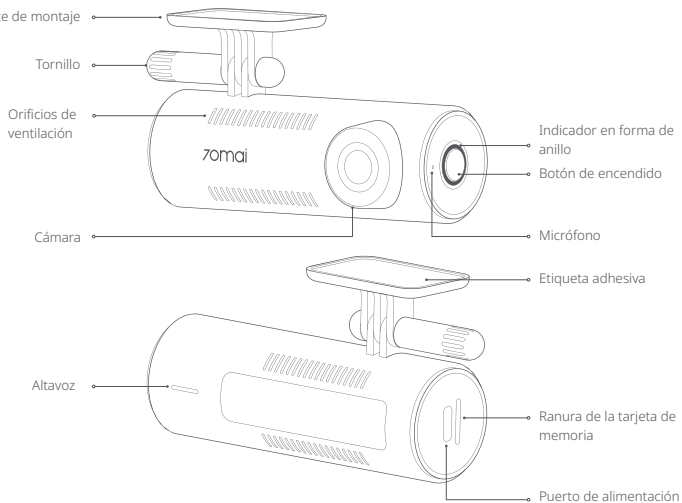
For further information, please go to www.70mai.com

Manufacturer: 70mai Co., Ltd.

Address: Room 2220, Building 2, No. 588 Zixing Road, Minhang District, Shanghai, China

Descripción general del producto

Por favor, lea este manual con atención antes de utilizar el producto y consérvelo en un lugar seguro.



Contenido del paquete

- | | | |
|------------------------------|--------------------------------|-----------------------------------------|
| 1. Dash Cam × 1 | 4. Adhesivo electrostático × 2 | 6. Herramienta de corte de cableado × 1 |
| 2. Cable de alimentación × 1 | 5. Etiqueta adhesiva × 1 | 7. Manual del usuario × 1 |
| 3. Cargador para coche × 1 | | |

Nota: las ilustraciones del producto, los accesorios y la interfaz del usuario que aparecen en el manual del usuario solo sirven como referencia. El producto actual y sus funciones pueden variar debido a mejoras de los productos.

Instalación

1. Colocar el adhesivo electrostático

Coloque la pegatina electrostática en la zona recomendada del parabrisas delantero. Apriete en la etiqueta adhesiva para eliminar las burbujas de aire.

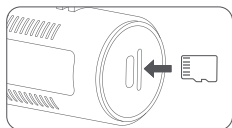
Evite el borde del parabrisas y seleccione la zona lisa y plana para la instalación.

Nota: Mantenga el parabrisas limpio y seco sin residuos líquidos para evitar que el adhesivo pierda adherencia y que la dash cam se caiga.



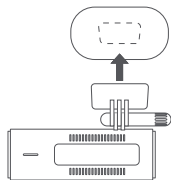
2. Instale la tarjeta de memoria

Inserte la tarjeta de memoria en la ranura para tarjetas con sus contactos hacia la izquierda, tal y como se muestra en la imagen.



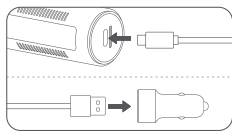
3. Montaje de la dash cam

Coloque la dash cam en el adhesivo electrostático.



4. Conexión del cable de alimentación

Conecte la dash cam y el cargador de coche con el cable de alimentación.

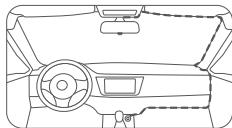


5. Cable de enrutamiento

Tienda el cable de alimentación hasta la toma de corriente del vehículo y conecte el cargador del coche en la toma de corriente. Arranque el motor del coche y la dash cam se encenderá de forma automática.

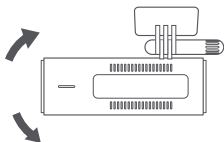
Notas:

- Use la herramienta de corte de cableado para ocultar el cable de alimentación debajo del revestimiento del techo y sello de goma del vehículo a lo largo del pilar A.
- Dependiendo del vehículo, la toma de corriente puede estar ubicada en una posición diferente. La imagen proporcionada solo sirve como referencia.



6. Ajuste del ángulo de la cámara

Víncule la dash cam a la app 70mai e introduzca la página de inicio de la dash cam. Ajuste el ángulo de la cámara basándose en la imagen en tiempo real de la pantalla.



Funciones del botón

Estado de la dash cam	Manejo	Funcionamiento
Apagado (la dash cam debe conectar con la fuente de alimentación)	Pulsar una vez	Encender el dispositivo
Encendido	Pulsar y mantener pulsado durante unos 3 segundos	Apagar el dispositivo
	Pulsar una vez	Encienda/apague la Wi-Fi
	Pulse 4 veces seguidas	Formatear la tarjeta de memoria
	Pulse 5 veces seguidas	Restablecer ajustes de fábrica
	Pulsar y mantener pulsado durante unos 15 segundos	Forzar el restablecimiento del dispositivo
Recibiendo la solicitud de conexión del teléfono	Pulsar una vez	Confirmar la autorización de conexión

Conectar con la app 70mai

Este producto debe utilizarse junto con la app de 70mai. Siga los siguientes pasos para conectarlo con la app.

1. Escanee el código QR para descargar e instalar la app. O busque "70mai" en la app store para descargarla e instalarla.



Escanee para descargar la app

2. Abra la app, toque en "+" en la página del dispositivo, busque el tipo de dash cam adecuado y pulse en la imagen de la dash cam.
3. Encienda la dash cam y habilite el punto de acceso Wi-Fi. Siga las instrucciones en la pantalla para conectar el punto de acceso Wi-Fi de la dash cam en los ajustes de su teléfono.
4. Una vez que se conecte correctamente, vuelva a la app de 70mai. En la página del dispositivo, conecte la dash cam e introduzca la página de inicio de la dash cam. Puede ver el vídeo en directo y configurar los ajustes de la dash cam.

Nota: Para que sea posible la conexión al punto de acceso Wi-Fi de la cámara del coche con un teléfono móvil es necesario Android 5.0 y iOS 11.0 o superior.

Si necesita más ayuda para conectar la app, escanee el código QR en la parte inferior para ver el vídeo tutorial.



Escanee para ver el vídeo

La información del acceso Wi-Fi es la siguiente:

Nombre del punto de acceso: 70mai_M310_XXXX (Compruebe la etiqueta del dispositivo para consultar el nombre del punto de acceso.)

Contraseña por defecto: 12345678

Control por voz

La dash cam admite el control por voz. Mientras la dash cam está funcionando, los comandos de voz del usuario activarán las funciones correspondientes.

Si el idioma de difusión de la dash cam está configurado en chino tradicional, se admiten los comandos de voz en mandarín. Si se configura cualquier otro idioma, solo se admitirán comandos de voz en inglés. Los comandos de voz son los siguientes:

Comando de voz	Funcionamiento
Take photo	La dash cam hará una foto y la guardará en el álbum.
Lock the video	La dash cam grabará un vídeo de emergencia y lo guardará en el directorio de vídeos de emergencia.
Turn on audio	La dash cam grabará tanto audios como vídeos.
Turn off audio	La dash cam no grabará audios, grabará únicamente vídeos
Turn on hotspot	El punto de acceso Wi-Fi de la dash cam se encenderá.
Turn off hotspot	El punto de acceso Wi-Fi de la dash cam se apagará.

Nota: Si la dash cam está conectada a la app de 70mai, no se admitirá el control por voz.

Especificaciones

Producto: Dash Cam

Modelo: M310

Entrada: 5V \pm 2A

Capacidad de la batería: 300mAh

Resolución: 2304 \times 1296

Lente: FOV 130°/ F2.0

Tipo de batería: Batería de iones de litio

Fuente de alimentación: Mechero de coche

Dimensiones del artículo: 100,3 \times 52,5 \times 36,1mm

Conectividad inalámbrica: Wi-Fi IEEE 802.11b/g/n 2,4GHz

Frecuencia de funcionamiento Wi-Fi: 2.400- 2.483,5MHz

Salida máxima Wi-Fi: < 20dBm

Precauciones

Antes de usar esta dash cam, lea todas las precauciones y la guía de usuario para garantizar un uso correcto y seguro.

- Esta dash cam es una ayuda para la conducción diseñada para grabar imágenes externas del vehículo. Y no tiene la función de garantizar la seguridad vial del usuario. Los usuarios deben cumplir las normas y regulaciones locales de tráfico y considerar la seguridad vial una prioridad. No maneje este producto mientras está conduciendo.
- Debido a las diferencias en las condiciones del vehículo, el estilo o el entorno de conducción y otros factores, algunas funciones pueden no funcionar correctamente. Un fallo en la alimentación, el uso en entornos fuera del rango normal de temperatura o humedad de funcionamiento, una colisión o una tarjeta de memoria dañada pueden hacer que la dash cam funcione de manera anormal. No hay garantía de que esta dash cam funcione normalmente en todas las circunstancias. Los vídeos grabados por esta dash cam son solo para referencia.
- Instale esta dashcam correctamente, y no bloquee la línea de visión del conductor, ni el airbag del vehículo, para evitar fallos del producto o lesiones personales.
- Si el parabrisas delantero donde está colocada la dash cam está cubierto con un film de color para automóviles, la calidad de grabación del vídeo puede verse afectada o pueden producirse distorsiones en el vídeo. Si la película metálica se aplica al parabrisas delantero, puede producirse una disminución en la calidad de señal GPS para modelos de dash cam equipados con módulos GPS integrados.
- Evite colisiones o golpes fuertes a la dash cam, de lo contrario pueden producirse averías en el producto. Mantenga la dash cam fuera de cualquier campo magnético fuerte.
- No utilice nunca disolventes químicos o detergentes para lavar la dash cam.
- No use esta dash cam en entornos con temperaturas superiores a 60°C ni por debajo de -10°C.
- Si se ha estado manejando la dash cam durante un tiempo, la temperatura de la carcasa exterior incrementará: tenga cuidado al tocarla.
- Utilice esta dash cam exclusivamente dentro del ámbito permitido por la ley.

Información de seguridad

- Utilice el cargador para automóvil, el cable de alimentación y otros accesorios incluidos para evitar fallos en el producto debido a la incompatibilidad. No somos responsables de ninguna pérdida o daño causado por el uso de un cargador de automóvil o cable de alimentación que no sean originales.
- Si usa el adaptador de potencia para cargar la dash cam, utilice únicamente un adaptador de potencia que cumpla con las normas de seguridad locales o certificadas y suministradas por fabricantes cualificados.

- Arrojar la batería al fuego o a un horno caliente, o aplastar o cortar mecánicamente una pila, ya que puede resultar en una explosión.
- Dejar la batería en un entorno con una temperatura excesivamente elevada puede provocar una explosión o una fuga de líquido inflamable o gas.
- Una batería sujeta a una presión de aire extremadamente baja puede provocar una explosión o una fuga de líquido inflamable o gas.
- Este dispositivo está equipado con una batería integrada que no se puede retirar o cambiar. No desmonte ni modifique la batería usted mismo.
- Cambiar la batería por un tipo incorrecto de batería puede anular la protección (por ejemplo, en el caso de algunos tipos de batería de litio).
- La dash cam y sus accesorios pueden contener piezas pequeñas. Para evitar la asfixia y otros riesgos o daños causados por niños, mantenga la dash cam fuera del alcance de los niños.

Instrucciones de la tarjeta de memoria

- Antes de utilizar la dashcam debe instalarse una tarjeta de memoria (se vende por separado).
- La dashcam es compatible con las tarjetas MicroSD estándar. Utilice tarjetas de memoria con una capacidad de 16 GB a 256 GB y una clasificación de clase 10, U1 o superior.
- El formato de partición de archivo predeterminado de la tarjeta de memoria puede no ser compatible con el formato admitido por la dashcam. Cuando inserte la tarjeta de memoria por primera vez, la debe formatear en la dash cam antes de usarla. Formatear la tarjeta de memoria borrará todos los archivos que haya en la tarjeta. Haga, previamente, una copia de seguridad de los datos importantes en otro dispositivo.
- La repetición de los ciclos de sobrescritura puede dañar o deteriorar la tarjeta de memoria y esto puede afectar a su capacidad de guardar archivos de video e imagen. Si esto ocurre, sustituya inmediatamente la tarjeta de memoria por una nueva.
- Utilice una tarjeta de memoria de alta calidad de un proveedor acreditado. Las tarjetas de memoria de calidad inferior pueden ocasionar problemas como velocidades de lectura/escritura y capacidades de almacenamiento reales que no coinciden con las indicadas. No somos responsables por los vídeos perdidos o dañados a causa del uso de una tarjeta de memoria de baja calidad.
- No inserte ni extraiga la tarjeta microSD mientras la dashcam esté encendida.

Información sobre el cumplimiento de la normativa

Información sobre RAEE



Todos los productos que llevan este símbolo son residuos de aparatos eléctricos y electrónicos (RAEE según la directiva 2012/19/UE) que no deben mezclarse con residuos domésticos sin clasificar. En su lugar, debe proteger la salud humana y el medio ambiente entregando sus equipos de desecho a un punto de recogida para el reciclaje de residuos de equipos eléctricos y electrónicos, designado por el gobierno o las autoridades locales. La eliminación y el reciclado correctos ayudarán a evitar posibles consecuencias negativas para el medio ambiente y la salud humana. Póngase en contacto con el instalador o con las autoridades locales para obtener más información sobre la ubicación y las condiciones de dichos puntos de recogida.

Declaración de conformidad de la UE



El fabricante, por la presente, declara que el equipo cumple con las Directivas y Normas Europeas aplicables y las enmiendas. Encontrará el texto completo de la declaración de conformidad de la UE en esta dirección de Internet: <https://help.70mai.asia/1193.html>

Servicio: help@70mai.com

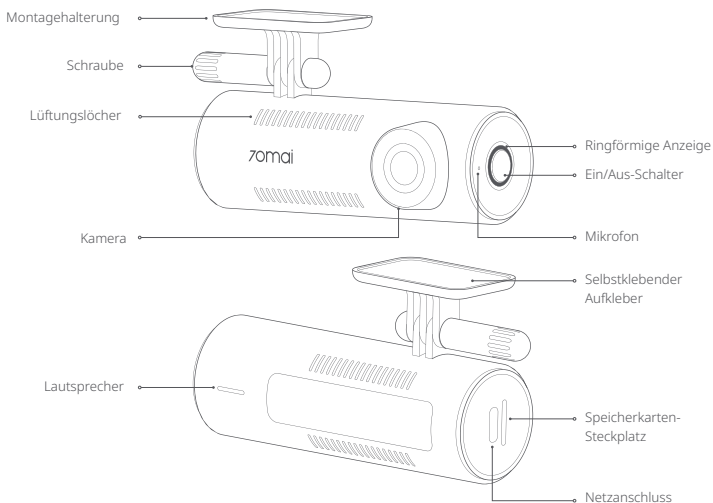
Para más información, vaya a www.70mai.com

Fabricante: 70mai Co., Ltd.

Dirección: Room 2220, Building 2, No. 588 Zixing Road, Minhang District, Shanghai, China

Produktübersicht

Bitte lesen Sie dieses Handbuch sorgfältig durch, bevor Sie das Produkt verwenden, und bewahren Sie es an einem sicheren Ort auf.



Lieferumfang

- | | | |
|----------------------|------------------------------------|-----------------------------|
| 1. Dashcam × 1 | 4. Elektrostatischer Aufkleber × 2 | 6. Kabeleinpasswerkzeug × 1 |
| 2. Netzkabel × 1 | 5. Aufkleber × 1 | 7. Benutzerhandbuch × 1 |
| 3. Autoladegerät × 1 | | |

Hinweis: Die Abbildungen des Produkts, des Zubehörs und der Benutzeroberfläche im Benutzerhandbuch dienen nur als Referenz. Das tatsächliche Produkt und die Funktionen können aufgrund von Weiterentwicklungen des Produkts variieren.

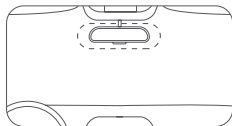
Installation

1. Installation des elektrostatischen Aufklebers

Kleben Sie den elektrostatischen Aufkleber auf den empfohlenen Bereich der vorderen Windschutzscheibe. Drücken Sie auf den Aufkleber, um Luftblasen zu entfernen.

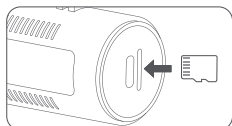
Meiden Sie den Rand der Windschutzscheibe und wählen Sie für die Installation den flachen und ebenen Bereich.

Hinweis: Halten Sie die Windschutzscheibe sauber und trocken (ohne Flüssigkeitsrückstände), um zu verhindern, dass der Aufkleber die Haftkraft verliert und die Dashcam herunterfällt.



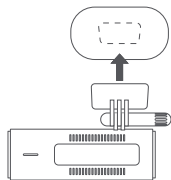
2. Einsetzen der Speicherkarte

Setzen Sie die Speicherkarte mit nach links weisenden Kontakten in den Kartensteckplatz ein, wie in der Abbildung dargestellt.



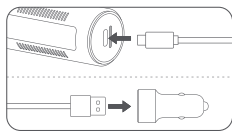
3. Anbringen der Dashcam

Kleben Sie die Dashcam auf den elektrostatischen Aufkleber.



4. Anschluss des Netzkabels

Verbinden Sie die Dashcam und das Autoladegerät über das Netzkabel.

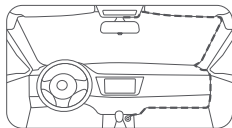


5. Kabelführung

Verlegen Sie das Netzkabel zum Netzanschluss des Fahrzeugs und schließen Sie das Autoladegerät an den Netzanschluss an. Starten Sie den Motor. Die Dashcam schaltet sich automatisch ein.

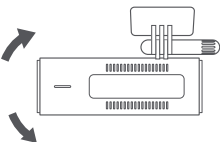
Hinweise:

- Benutzen Sie das beigegefügte Kabeleinpasswerkzeug, um das Netzkabel unter dem Dachhimmel und der Gummidichtung an der A-Säule des Fahrzeugs zu verbergen.
- Je nach Fahrzeug kann sich der Netzanschluss an einer anderen Position befinden. Die dargestellte Abbildung dient nur als Referenz.



6. Anpassen des Kamerawinkels

Verbinden Sie die Dashcam mit der 70mai-App und rufen Sie die Startseite der Dashcam auf. Passen Sie den Kamerawinkel mithilfe des Echtzeitbildes auf dem Bildschirm an.



Tastenfunktionen

Dashcam-Status	Betrieb	Funktion
Ausgeschaltet (Die Dashcam sollte sich mit der Stromquelle verbinden.)	Einmal drücken	Gerät einschalten
Eingeschaltet	Drücken und für ca. 3 Sekunden halten	Gerät ausschalten
	Einmal drücken	WLAN ein-/ausschalten
	4-mal hintereinander drücken	Speicherkarte formatieren
	5-mal hintereinander drücken	Werkseinstellungen zurücksetzen
Empfang der Verbindungsanfrage des Telefons	Einmal drücken	Verbindungsautorisierung bestätigen

Verbindung mit der 70mai-App

Dieses Produkt muss in Verbindung mit der 70mai-App verwendet werden. Befolgen Sie diese Schritte, um eine Verbindung mit der App herzustellen.

1. Scannen Sie den QR-Code, um die App herunterzuladen und zu installieren. Oder suchen Sie im App-Store nach „70mai“, laden Sie die App herunter und installieren Sie sie.



Zum Herunterladen der App scannen

2. Öffnen Sie die App, tippen Sie auf der Geräteseite auf „+“, suchen Sie den entsprechenden Dashcam-Typ und tippen Sie auf das Dashcam-Bild.
3. Schalten Sie die Dashcam ein und aktivieren Sie den WLAN-Hotspot. Befolgen Sie die Anweisungen auf dem Bildschirm, um in den Einstellungen des Telefons eine Verbindung mit dem WLAN-Hotspot der Dashcam herzustellen.
4. Wenn die Verbindung erfolgreich hergestellt wurde, wechseln Sie wieder zur 70mai-App. Verbinden Sie auf der Geräteseite die Dashcam und rufen Sie die Startseite der Dashcam auf. Sie können das Livevideobild sehen und die Dashcam-Einstellungen konfigurieren.

Hinweis: Android 5.0 bzw. iOS 11.0 oder höher sind erforderlich, um sich mit einem Mobiltelefon mit dem WLAN-Hotspot der Dashcam zu verbinden.

Wenn Sie bei der Verbindung mit der App weitere Hilfe benötigen, scannen Sie den QR-Code unten, um das Tutorialvideo anzusehen.



Zum Anzeigen des Videos scannen

Der Informationen für den WLAN-Hotspot sind wie folgt:

Hotspot-Name: 70mai_M310_XXXX (Den Hotspot-Namen finden Sie auf dem Aufkleber am Gerät.)

Standardkennwort: 12345678

Sprachsteuerung

Die Dashcam unterstützt die Sprachsteuerung. Wenn die Dashcam in Betrieb ist, werden die entsprechenden Funktionen durch Sprachbefehle des Benutzers ausgelöst.

Wenn die Übertragungssprache der Dashcam auf traditionelles Chinesisch eingestellt ist, werden Sprachbefehle in Mandarin unterstützt. Bei allen anderen Sprachen werden lediglich die Sprachbefehle in englischer Sprache unterstützt. Die Sprachbefehle lauten wie folgt:

Sprachbefehl	Function
Take photo	Die Dashcam macht ein Foto und speichert es im Album.
Lock the video	Die Dashcam zeichnet ein Notfallvideo auf und speichert es im Notfallvideo-Verzeichnis.
Turn on audio	Die Dashcam zeichnet Audio und Video auf.
Turn off audio	Die Dashcam zeichnet nur das Video auf, keine Audioinhalte.
Turn on hotspot	Der WLAN-Hotspot der Dashcam wird eingeschaltet.
Turn off hotspot	Der WLAN-Hotspot der Dashcam wird ausgeschaltet.

Hinweis: Wenn die Dashcam mit der 70mai-App verbunden ist, wird die Sprachsteuerung nicht unterstützt.

Technische Daten

Produkt: Dash Cam

Modell: M310

Eingang: 5 V \pm 2 A

Akkukapazität: 300 mAh

Auflösung: 2.304 \times 1.296

Objektiv: FOV 130°/ F2.0

Batterietyp: Lithium-Ionen-Batterie

Stromversorgung: Autozigarettenanzünder

Produktabmessungen: 100,3 \times 52,5 \times 36,1 mm

Drahtloskonnektivität: Wi-Fi IEEE 802.11b/g/n 2,4 GHz

Wi-Fi-Betriebsfrequenz: 2.400-2.483,5 MHz

Wi-Fi-Maximalausgabe: < 20 dBm

Vorsichtsmaßnahmen

Lesen Sie alle Vorsichtsmaßnahmen und die Bedienungsanleitung durch, bevor Sie diese Dashcam benutzen, um die korrekte und sichere Verwendung zu gewährleisten.

- Diese Dashcam ist eine Fahrhilfe, die externe Bilder des Fahrzeugs aufzeichnen soll. Sie verfügt über keine Funktionen, um die Fahrsicherheit des Benutzers sicherzustellen. Benutzer müssen die regionalen Verkehrsregeln und -vorschriften beachten und dem sicheren Fahren die höchste Priorität einräumen. Bedienen Sie das Produkt nicht während der Fahrt.
- Aufgrund von Unterschieden in den Fahrzeugbedingungen, im Fahrzeugstil, der Fahrumgebung und anderen Faktoren funktionieren eventuell einige Funktionen nicht korrekt. Ein Stromausfall, die Verwendung in Umgebungen außerhalb des normalen Temperatur- oder Feuchtigkeitsbereichs, eine Kollision oder eine beschädigte Speicherkarte können dazu führen, dass die Dashcam nicht normal funktioniert. Es kann nicht garantiert werden, dass die Dashcam unter allen Bedingungen normal funktioniert. Videos, die von der Dashcam aufgezeichnet werden, dienen nur als Referenz.
- Installieren Sie diese Dashcam korrekt und versperren Sie nicht die Sichtlinie des Fahrers bzw. blockieren Sie nicht den Airbag des Fahrzeugs, um Produktversagen oder Personenschäden zu vermeiden.
- Wenn die Frontscheibe, an der die Dashcam montiert ist, mit einer farbigen Folie bedeckt ist, kann sich dies auf die Qualität der Videoaufzeichnung auswirken oder Störungen im Videobild verursachen. Wenn eine metallische Folie auf die vordere Windschutzscheibe aufgebracht wird, kann dies die Qualität des GPS-Signals bei Dashcam-Modellen verringern, die mit integrierten GPS-Modulen ausgestattet sind.
- Vermeiden Sie Stöße und Erschütterungen der Dashcam, da es beim Produkt andernfalls zu einer Fehlfunktion kommen kann. Halten Sie diese Dashcam von starken Magnetfeldern fern.
- Verwenden Sie niemals chemische Lösungs- oder Reinigungsmittel, um die Dashcam zu reinigen.
- Verwenden Sie diese Dashcam nicht in Umgebungen mit Temperaturen von über 60 °C oder unter -10 °C.
- Wenn die Dashcam einige Zeit lang gelaufen ist, steigt die Temperatur des Außengehäuses. Seien Sie beim Berühren daher vorsichtig.
- Verwenden Sie diese Dashcam nur im gesetzlich zulässigen Rahmen.

Informationen zur Sicherheit

- Verwenden Sie das beigegefügte Autoladegerät, das Netzkabel und andere Zubehörteile, um ein Produktversagen aufgrund einer Nichtkonformität zu vermeiden. Wir übernehmen keine Haftung für Verluste oder Schäden, die durch die Verwendung eines nicht originalen Autoladegerätes oder Netzkabels entstehen.
- Verwenden Sie nur Netzteile, die den regionalen Sicherheitsstandards entsprechen oder von qualifizierten

Herstellern zertifiziert und angeboten werden, wenn Sie die Dashcam mit einem Netzteil laden.

- Wenn Sie die Batterie in ein Feuer oder einen heißen Ofen werfen, um sie zu entsorgen, oder sie mechanisch zerdrücken oder aufschneiden, kann dies zu einer Explosion führen.
- Wird die Batterie in einer Umgebung mit sehr hohen Temperaturen belassen, kann dies zu einer Explosion oder zum Austreten von entflammbarer Flüssigkeit oder Gas führen.
- Wird die Batterie sehr niedrigem Luftdruck ausgesetzt, kann dies zu einer Explosion oder zum Austreten von entflammbarer Flüssigkeit oder Gas führen.
- Diese Gerät ist mit einem eingebauten Akku ausgestattet, der nicht entfernt oder ersetzt werden kann. Nehmen Sie die Batterie nicht selbst auseinander und verändern Sie sie nicht.
- Der Austausch der Batterie durch den falschen Typ kann Schutzmaßnahmen unwirksam machen (z. B. bei einigen Lithium-Batterietypen).
- Die Dashcam und ihr Zubehör können kleine Teile enthalten. Halten Sie die Dashcam von Kindern fern, um die Erstickungsgefahr zu reduzieren. So können Sie auch andere Gefahren oder Schäden vermeiden, die von Kindern verursacht werden könnten.

Anweisungen zur Speicherkarte

- Vor der Verwendung muss eine Speicherkarte (separat erhältlich) in die Dashcam eingesetzt werden.
- Die Dashcam unterstützt microSD-Standardkarten. Verwenden Sie Speicherkarten mit einer Kapazität von 16 GB ~ 256 GB und der Klassifizierung Klasse 10, U1 oder höher.
- Das Standard-Dateipartitionierungsformat der Speicherkarte kann von dem von der Dashcam unterstützten Format abweichen. Formatieren Sie die Speicherkarte vor der Verwendung in der Dashcam, wenn Sie sie zum ersten Mal einsetzen. Durch das Formatieren der Speicherkarte werden alle Dateien auf der Karte gelöscht. Sichern Sie wichtige Daten im Vorfeld auf einem anderen Gerät.
- Die Speicherkarte kann bei wiederholtem Überschreiben beschädigt werden oder abnutzen. Das kann sich auf die Möglichkeiten zum Speichern von Video- und Bilddateien auswirken. Tauschen Sie die Speicherkarte in diesem Fall gegen eine neue aus.
- Verwenden Sie eine hochwertige Speicherkarte von einem renommierten Anbieter. Minderwertige Speicherkarten können Probleme aufweisen, z. B. Lese-/Schreibgeschwindigkeiten, die nicht den angegebenen Geschwindigkeiten entsprechen, und eine tatsächliche Speicherkapazität, die nicht der angegebenen Speicherkapazität entspricht. Wir übernehmen keine Haftung für verlorene oder beschädigte Videos aufgrund der Verwendung einer minderwertigen Speicherkarte.
- Setzen Sie die Speicherkarte nicht in die Dashcam ein, während diese eingeschaltet ist, und entfernen Sie sie dann nicht daraus.

Informationen zur Einhaltung gesetzlicher Vorschriften

Entsorgung von elektrischen und elektronischen Geräten



Das Symbol auf dem Produkt oder der Verpackung bedeutet, dass das Produkt einer getrennten Erfassung für elektrische und elektronische Geräte zugeführt werden muss und nicht über den normalen Haushaltsabfall entsorgt werden darf. Bitte entnehmen Sie Batterien und Lampen, die nicht vom Gerät umschlossen sind, vor der Abgabe aus dem Gerät und entsorgen diese über die offiziellen Sammelstellen für Batterien und Lampen.

Beim Kauf eines neuen Elektrogerätes können Sie beim Vertreiber ein gleichartiges Altgerät unentgeltlich zurückgeben. Elektrogeräte mit einer Kantenlänge von maximal 25 cm können unentgeltlich bei Vertreibern von Elektro- und Elektronikgeräten mit einer Verkaufsfläche von mindestens 400 m² sowie in Geschäften des Lebensmittelhandels (z.B. Supermärkten, Lebensmitteldiscountern, Drogerien) mit einer Gesamtverkaufsfläche von mindestens 800 m², die mehrmals im Kalenderjahr oder dauerhaft Elektro- und Elektronikgeräte anbieten und auf dem Markt bereitstellen, abgegeben werden, ohne dass ein Neugerät erworben werden muss. Größere Elektrogeräte können kostenlos bei kommunalen Wertstoffhöfen abgegeben werden.

Durch die korrekte Entsorgung tragen Sie dazu bei, negative Auswirkungen auf die Umwelt und die menschliche Gesundheit zu vermeiden, die durch unsachgemäße Erfassung und Behandlung von Elektroaltgeräten entstehen können.

Bitte löschen Sie sämtliche personenbezogenen Daten auf dem Gerät, bevor Sie es entsorgen.

Für weitere Informationen kontaktieren Sie bitte Ihre Kommunalverwaltung, Ihren örtlichen Abfallentsorger oder das Geschäft, in dem Sie das Produkt erworben haben.

EU-Konformitätserklärung



Der Hersteller erklärt hiermit, dass dieses Produkt den betreffenden Bestimmungen und europäischen Normen sowie deren überarbeiteten Fassungen entspricht. Der vollständige Wortlaut der EU-Konformitätserklärung ist unter der folgenden Internetadresse abrufbar: <https://help.70mai.asia/1193.html>

Service: help@70mai.com

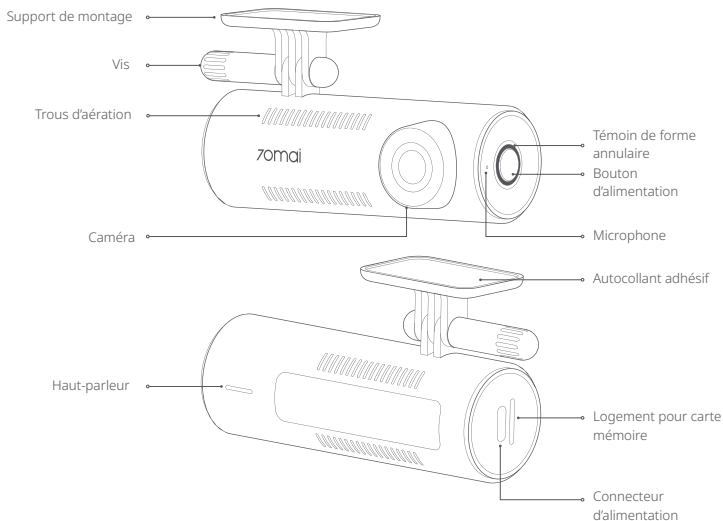
Weitere Informationen finden Sie unter www.70mai.com.

Hersteller: 70mai Co., Ltd.

Adresse: Room 2220, Building 2, No. 588 Zixing Road, Minhang District, Shanghai, China

Présentation du produit

Lisez attentivement ce mode d'emploi avant d'utiliser le produit et conservez-le en lieu sûr.



Contenu du coffret

- | | | |
|------------------------------------|------------------------------------|---------------------------------------|
| 1. Caméra embarquée (Dash Cam) × 1 | 3. Chargeur de voiture × 1 | 6. Outil pour garniture de câbles × 1 |
| 2. Cordon d'alimentation × 1 | 4. Autocollant électrostatique × 2 | 7. Mode d'emploi × 1 |
| | 5. Autocollant adhésif × 1 | |

Remarque : les illustrations du produit, des accessoires et de l'interface utilisateur figurant dans le mode d'emploi sont fournies à titre indicatif uniquement. Le produit et les fonctions réels peuvent varier en raison des améliorations apportées au produit.

Installation

1. Installation de l'autocollant électrostatique

Collez l'autocollant électrostatique sur la zone recommandée, sur le pare-brise avant. Appuyez sur l'autocollant pour éliminer les bulles d'air.

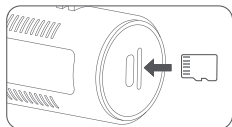
Évitez le bord du pare-brise et choisissez une zone plate et lisse pour l'installation.

Remarque : gardez le pare-brise propre et sec sans résidu de liquide pour éviter que l'autocollant ne perde son adhérence et que la caméra embarquée ne tombe.



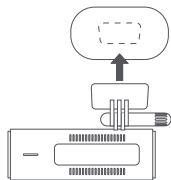
2. Installation de la carte mémoire

Insérez la carte mémoire dans le logement prévu à cet effet en orientant les contacts de la carte vers la gauche, comme illustré sur la figure.



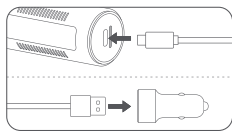
3. Montage de la caméra embarquée

Collez la caméra embarquée sur l'autocollant électrostatique.



4. Branchement du cordon d'alimentation

Branchez la caméra embarquée et le chargeur de voiture à l'aide du cordon d'alimentation.

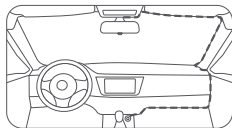


5. Acheminement du câble

Acheminez le cordon d'alimentation vers la prise d'alimentation et branchez le chargeur de voiture dans la prise d'alimentation. Démarrez le moteur du véhicule et la caméra embarquée se mettra automatiquement sous tension.

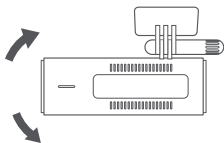
Remarques :

- Utilisez l'outil pour garniture de câbles inclus pour cacher le cordon d'alimentation sous la garniture de pavillon du véhicule et le joint en caoutchouc le long du montant A.
- Selon le véhicule, la prise d'alimentation peut se trouver à un emplacement différent. La figure ci-dessus est fournie uniquement à titre indicatif.



6. Réglage de l'angle de la caméra

Liez la caméra embarquée à l'application 70mai et accédez à la page d'accueil de la caméra embarquée. Réglez l'angle de la caméra en fonction de l'image en temps réel à l'écran.



Fonctions des boutons

État de la caméra embarquée	Opération	Fonction
Éteinte (la caméra doit être raccordée à une source d'alimentation)	Appuyez une fois	Allumer l'appareil
Allumée	Appuyez et maintenez pendant environ 3 secondes	Éteindre l'appareil
	Appuyez une fois	Activer/désactiver le Wi-Fi
	Appuyez 4 fois de suite	Formater la carte mémoire
	Appuyez 5 fois de suite	Réinitialiser les paramètres d'usine
	Appuyez et maintenez pendant environ 15 secondes	Forcer le redémarrage de l'appareil
Réception de la demande de connexion du téléphone	Appuyez une fois	Confirmer l'autorisation de connexion

Connexion avec l'application 70mai

Ce produit doit être utilisé avec l'application 70mai. Pour le connecter à l'application, suivez les étapes ci-dessous :

1. Scannez le code QR pour télécharger et installer l'application. Vous pouvez également rechercher « 70mai » dans l'App Store pour la télécharger et l'installer.



Scanner pour télécharger l'application

2. Ouvrez l'application, appuyez sur « + » sur la page de l'appareil, trouvez le type de caméra embarquée correspondant et appuyez sur l'image de la caméra embarquée.
3. Mettez la caméra embarquée sous tension et activez le point d'accès Wi-Fi. Suivez les instructions à l'écran pour connecter le point d'accès Wi-Fi de la caméra embarquée dans les paramètres de votre téléphone.
4. Une fois la connexion réussie, retournez à l'application 70mai. Sur la page de l'appareil, connectez la caméra embarquée et accédez à la page d'accueil de la caméra embarquée. Vous pouvez voir la vidéo en direct et configurer les paramètres de la caméra embarquée.

Remarque : vous devez disposer d'Android 5.0 ou d'iOS 11.0 ou de versions ultérieures pour vous connecter au point d'accès Wi-Fi de la caméra embarquée avec un téléphone portable.

Si vous avez besoin d'aide pour la connexion à l'application, scannez le code QR ci-dessous pour voir la vidéo du tutoriel.



Scanner pour voir la vidéo

Les informations relatives au point d'accès Wi-Fi sont les suivantes :

Nom du point d'accès : 70mai_M310_XXXX (Vérifiez le nom du point d'accès sur l'étiquette de l'appareil.)

Mot de passe par défaut : 12345678

Commande vocale

La caméra embarquée prend en charge la commande vocale. Lorsque la caméra embarquée fonctionne, les commandes vocales de l'utilisateur déclenchent les fonctions correspondantes.

Si la langue de diffusion du système de la caméra embarquée est définie sur le chinois traditionnel, les commandes vocales en mandarin sont prises en charge. Si une autre langue est définie, seules les commandes vocales en anglais sont prises en charge. Les commandes vocales sont les suivantes :

Commande vocale	Fonction
Take photo	La caméra embarquée prendra une photo et l'enregistrera dans l'album.
Lock the video	La caméra embarquée enregistrera une vidéo d'urgence et la stockera dans le répertoire des vidéos d'urgence.
Turn on audio	La caméra embarquée enregistrera l'audio ainsi que des vidéos.
Turn off audio	La caméra embarquée n'enregistrera pas d'audio, mais uniquement des vidéos.
Turn on hotspot	Le point d'accès Wi-Fi de la caméra embarquée s'activera.
Turn off hotspot	Le point d'accès Wi-Fi de la caméra embarquée se désactivera.

Remarque : lorsque la caméra embarquée est connectée à l'application 70mai, la commande vocale n'est pas prise en charge.

Spécifications

Produit : Dash Cam

Modèle : M310

Entrée : 5 V \pm 2 A

Capacité de la batterie : 300 mAh

Résolution : 2304 \times 1296

Objectif : FOV 130°/ F2.0

Type de batterie : batterie Li-ion

Source d'alimentation : allume-cigare

Dimensions du produit : 100,3 \times 52,5 \times 36,1 mm

Connectivité sans fil : Wi-Fi IEEE 802.11b/g/n 2,4 GHz

Fréquence effective du Wi-Fi : 2 400-2 483,5 MHz

Puissance maximale Wi-Fi : < 20 dBm

Précautions

Avant d'utiliser cette caméra embarquée, lisez toutes les précautions et le mode d'emploi pour garantir une utilisation correcte et sûre.

- Cette caméra embarquée constitue une aide à la conduite conçue pour enregistrer des images externes au véhicule. Elle n'a pas pour fonction de garantir la sécurité de la conduite de l'utilisateur. Les utilisateurs doivent se conformer aux règles et réglementations de circulation locales et se préoccuper prioritairement de la sécurité de leur conduite. N'utilisez pas ce produit lorsque vous conduisez.
- En raison de différences existant entre les véhicules, le style de conduite, l'environnement de conduite et d'autres facteurs, certaines fonctions peuvent ne pas fonctionner correctement. Une panne de courant, une utilisation dans des environnements en dehors de la plage de températures ou d'humidité de fonctionnement normale, une collision ou une carte mémoire endommagée peut entraîner un dysfonctionnement de la caméra embarquée. Il n'y a aucune garantie que cette caméra embarquée fonctionnera normalement en toutes circonstances. Les vidéos enregistrées par cette caméra embarquée le sont à titre indicatif uniquement.
- Veillez à installer correctement cette caméra embarquée, à ne pas bloquer le champ de vision du conducteur et à ne pas bloquer l'airbag du véhicule afin d'éviter une défaillance du produit ou des blessures.
- Si le pare-brise où la caméra embarquée est installée est recouvert d'un film coloré, cela peut affecter la qualité de l'enregistrement ou provoquer une déformation de l'image vidéo. L'application d'un film métallique sur le pare-brise avant, il peut entraîner une baisse de la qualité du signal GPS pour les modèles de caméra embarquée équipés de modules GPS intégrés.
- Évitez tout choc sur la caméra embarquée ou toute forte secousse, faute de quoi le produit risque de ne pas fonctionner correctement. Gardez la caméra embarquée à l'écart de tout champ magnétique puissant.
- N'utilisez jamais de solvant ou de détergent chimique pour nettoyer la caméra embarquée.
- N'utilisez pas cette caméra embarquée dans des environnements dont les températures sont supérieures à 60 °C ou inférieures à -10 °C.
- Lorsque la caméra embarquée a fonctionné pendant un certain temps, la température du boîtier extérieur augmente. Faites preuve de prudence lorsque vous le touchez.
- N'utilisez cette caméra embarquée que dans les limites autorisées par la loi.

Consignes de sécurité

- Utilisez le chargeur de voiture, le cordon d'alimentation et les autres accessoires fournis afin d'éviter une défaillance du produit due à une non-conformité. Nous déclinons toute responsabilité en cas de perte et de dommage causés par l'utilisation d'un chargeur de voiture ou d'un cordon d'alimentation qui ne sont pas d'origine.

- Si vous utilisez un adaptateur électrique pour charger la caméra embarquée, utilisez uniquement les adaptateurs électriques conformes aux normes de sécurité locales ou certifiés et fournis par des fabricants agréés.
- L'élimination d'une batterie dans le feu ou dans un four chaud, ou l'écrasement ou la découpe mécanique d'une batterie, peuvent entraîner une explosion.
- Laisser une batterie dans un environnement à température extrêmement élevée peut entraîner une explosion ou une fuite de liquide ou de gaz inflammable.
- Une batterie soumise à une pression d'air extrêmement basse peut entraîner une explosion ou une fuite de liquide ou de gaz inflammable.
- Cet appareil est équipé d'une batterie intégrée qui ne peut pas être retirée ou remplacée. Ne démontez pas et ne modifiez pas la batterie vous-même.
- Remplacer une batterie par un type de batterie incorrect peut mettre en échec une mesure de protection (par exemple, dans le cas de certains types de batterie au lithium).
- La caméra embarquée et ses accessoires peuvent contenir de petites pièces. Pour éviter tout risque d'étouffement ou tout autre danger ou blessure susceptible d'affecter des enfants, tenez la caméra embarquée hors de leur portée.

Instructions relatives à la carte mémoire

- Il est nécessaire d'installer une carte mémoire (vendue séparément) dans la caméra embarquée avant toute utilisation.
- La caméra embarquée prend en charge les cartes microSD standard. Utilisez des cartes mémoire d'une capacité de 16 Go à 256 Go et de classe 10, U1 ou supérieure.
- Il est possible que le format de partition des fichiers par défaut de la carte mémoire ne soit pas compatible avec le format pris en charge par la caméra embarquée. La première fois que vous insérez la carte mémoire, formatez-la dans la caméra embarquée avant de l'utiliser. Le formatage de la carte mémoire supprime tous les fichiers qu'elle contient. Veillez à sauvegarder au préalable les données importantes sur un autre appareil.
- Plusieurs cycles répétés de remplacement de données peuvent endommager ou détériorer la carte mémoire, ce qui risque d'avoir une incidence sur sa capacité à enregistrer des fichiers vidéo et image. Le cas échéant, remplacez-la immédiatement par une carte mémoire neuve.
- Utilisez une carte mémoire de haute qualité achetée auprès d'un fournisseur fiable. Les cartes mémoire de qualité inférieure peuvent notamment indiquer des vitesses de lecture/écriture réelles ne correspondant pas aux vitesses indiquées, et une capacité de stockage réelle ne correspondant pas à la capacité de stockage indiquée. Nous ne pouvons être tenus pour responsables en cas de perte ou d'endommagement de vidéos causés par l'utilisation d'une carte mémoire de mauvaise qualité.
- Évitez d'insérer ou de retirer une carte mémoire lorsque la caméra embarquée est sous tension.

Informations sur la conformité et les réglementations

Informations DEEE



Tous les produits portant ce symbole deviennent des déchets d'équipements électriques et électroniques (DEEE dans la Directive européenne 2012/19/UE) qui ne doivent pas être mélangés aux déchets ménagers non triés. Vous devez contribuer à la protection de l'environnement et de la santé humaine en apportant l'équipement usagé à un point de collecte dédié au recyclage des équipements électriques et électroniques, agréé par le gouvernement ou les autorités locales. Le recyclage et la destruction appropriés permettront d'éviter tout impact potentiellement négatif sur l'environnement et la santé humaine. Contactez l'installateur ou les autorités locales pour obtenir plus d'informations concernant l'emplacement ainsi que les conditions d'utilisation de ce type de point de collecte.

Déclaration de conformité pour l'Union européenne



Le fabricant déclare par le présent document que le présent équipement est conforme aux directives et normes européennes applicables, ainsi qu'à leurs amendements. L'intégralité de la déclaration de conformité pour l'UE est disponible à l'adresse suivante : <https://help.70mai.asia/1193.html>



FR

Cet appareil et
ses accessoires
se recyclent

À DÉPOSER
EN MAGASIN



OU

À DÉPOSER
EN DÉCHÈTERIE



Points de collecte sur www.quefairedemesdechets.fr
Privilégiez la réparation ou le don de votre appareil !



FR

Les piles et
batteries se
recyclent

À DÉPOSER
EN MAGASIN



OU

À DÉPOSER
EN DÉCHÈTERIE



Points de collecte sur www.quefairedemesdechets.fr



FR

ÉLÉMENTS D'EMBALLAGE
À SÉPARER ET À DÉPOSER
DANS LE BAC DE TRI



Service après-vente : help@70mai.com

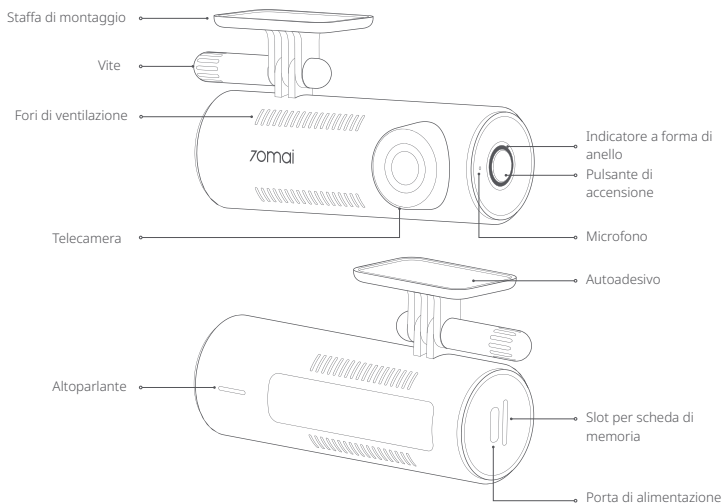
Pour de plus amples informations, consultez le site www.70mai.com

Fabricant : 70mai Co., Ltd.

Adresse : Room 2220, Building 2, No. 588 Zixing Road, Minhang District, Shanghai, Chine

Panoramica del prodotto

Prima di utilizzare il prodotto, leggere attentamente il presente manuale e conservarlo in un posto sicuro.



Contenuto della confezione

- | | | |
|----------------------------|-------------------------------|--------------------------------|
| 1. Dash cam × 1 | 4. Adesivo elettrostatico × 2 | 6. Strumento per cablaggio × 1 |
| 2. Cavo alimentazione × 1 | 5. Autoadesivo × 1 | 7. Manuale d'uso × 1 |
| 3. Caricatore per auto × 1 | | |

Nota: le figure del prodotto, degli accessori e dell'interfaccia utente contenute nel manuale d'uso sono solo a scopo indicativo. A causa dei miglioramenti, il prodotto effettivo e le funzioni del prodotto potrebbero essere diverse.

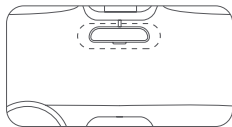
Installazione

1. Installazione dell'adesivo elettrostatico

Incollare l'adesivo elettrostatico nell'area consigliata sul parabrezza anteriore. Premere l'adesivo per rimuovere le bolle d'aria.

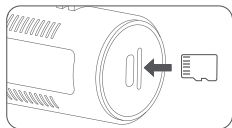
Per l'installazione, evitare i bordi del parabrezza e scegliere un'area piatta e liscia.

Nota: mantenere il parabrezza pulito e asciutto senza residui di liquidi, per evitare che l'adesivo perda aderenza e che faccia cadere la dash cam.



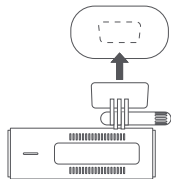
2. Installazione della scheda di memoria

Inserire la scheda di memoria nell'apposito vano, con il lato dei contatti rivolto a sinistra come indicato nella figura.



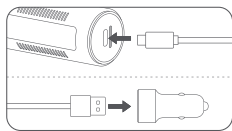
3. Montaggio della dash cam

Incollare la dash cam sull'adesivo elettrostatico.



4. Collegamento del cavo di alimentazione

Collegare la dash cam e il caricabatteria per auto al cavo di alimentazione.

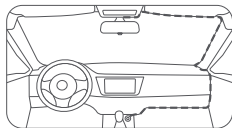


5. Instradamento del cavo

Far passare il cavo di alimentazione verso la presa di corrente del veicolo e collegare il caricabatteria per auto alla presa di corrente. Avviare il motore dell'auto e la dash cam si accenderà automaticamente.

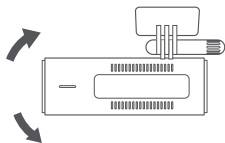
Note:

- Usando l'utensile in dotazione, nascondere il cavo di alimentazione sotto al rivestimento del tetto e della guarnizione in gomma del veicolo, lungo il montante anteriore.
- L'uscita di alimentazione potrebbe trovarsi in posizioni differenti, in base al veicolo. La figura sopra è solo di riferimento.



6. Regolazione dell'angolo di ripresa

Associare la dash cam all'app 70mai e accedere alla home page della dash cam. Regolare l'angolo di ripresa in base all'immagine in tempo reale sulla schermata.



Funzione dei pulsanti

Stato della dash cam	Operazione	Funzione
Spento (la dash cam dovrebbe collegarsi alla fonte di alimentazione)	Premuto una volta	Accensione del dispositivo
Accesso	Tenere premuto per circa 3 secondi	Spegnimento del dispositivo
	Premuto una volta	Attivazione/disattivazione del Wi-Fi
	Premuto 4 volte di seguito	Formato della scheda di memoria
	Premuto 5 volte di seguito	Ripristino impostazioni di fabbrica
	Tenere premuto per circa 15 secondi	Forzare il riavvio del dispositivo
Ricezione della richiesta di connessione dal telefono	Premuto una volta	Verifica autorizzazione di connessione

Connessione con l'app 70mai

Questo prodotto dovrà essere usato insieme alla App 70mai. Attenersi ai seguenti passaggi seguenti per collegarlo all'app.

1. Scansionare il codice QR per scaricare e installare l'app. Oppure, cercare "70mai" nell'app store per scaricarlo e installarlo.



Scansiona per scaricare l'app

2. Aprire l'app, toccare "" nella pagina del dispositivo, trovare il tipo di dash cam corrispondente e toccare l'immagine della dash cam.
3. Accendere la dash cam e abilitare l'hotspot Wi-Fi. Seguire le istruzioni visualizzate sullo schermo per connettere l'hotspot Wi-Fi della dash cam nelle impostazioni del telefono.
4. Una volta effettuata correttamente la connessione, tornare all'app 70mai. Nella pagina del dispositivo, collegare la dash cam e accedere alla home page della dash cam. È possibile visualizzare il video in diretta e configurare le impostazioni della dash cam.

Nota: per collegare l'hotspot Wi-Fi della dash cam con il telefono cellulare, occorre la versione Android 5.0 e iOS 11.0 o successive.

Nel caso in cui sia necessario ulteriore aiuto durante la connessione dell'app, scansionare il codice QR di seguito per visualizzare il video tutorial.



Eseguire la scansione per visualizzare il video

Le informazioni sull'hotspot Wi-Fi sono le seguenti:

Nome dell'hotspot: 70mai_M310_XXXX (per il nome dell'hotspot, controllare l'etichetta sul dispositivo).

Password predefinita: 12345678

Controllo vocale

La dash cam supporta il comando vocale. Quando la dash cam è in funzione, i comandi vocali dell'utente attiveranno le funzioni corrispondenti.

Se la lingua di trasmissione della dash cam è impostata su cinese tradizionale, sono supportati i comandi vocali in mandarino. Se è impostata un'altra lingua, sono supportati solo i comandi vocali in inglese. I comandi vocali sono i seguenti:

Comando vocale	Funzione
Take photo	La dash cam farà una foto e la salverà sull'album.
Lock the video	La dash cam registrerà un video di emergenza e lo memorizza nella cartella dei video di emergenza.
Turn on audio	La dash cam registrerà l'audio insieme al video.
Turn off audio	La dash cam non registrerà l'audio ma solo il video.
Turn on hotspot	L'hotspot Wi-Fi della Dash Cam si attiverà.
Turn off hotspot	L'hotspot Wi-Fi della Dash Cam si disattiverà.

Nota: se la dash è collegata alla App 70mai, il controllo vocale non è supportato.

Specifiche

Prodotto: Dash Cam

Modello: M310

Ingresso: 5V \pm 2A

Capacità della batteria: 300 mAh

Risoluzione: 2.304×1.296

Obiettivo: FOV 130°/ F2.0

Tipo di batteria: batteria agli ioni di litio

Alimentazione elettrica: accendisigari per auto

Dimensioni dell'articolo: 100,3 × 52,5 × 36,1 mm

Connettività wireless: Wi-Fi IEEE 802.11 b/g/n 2,4 GHz

Frequenza operativa del Wi-Fi: 2.400 - 2.483,5 MHz

Uscita Wi-Fi massima: < 20dBm

Precauzioni

Prima di usare la dash cam, leggere tutte le precauzioni e la guida all'uso per garantire l'utilizzo corretto e in condizioni di sicurezza.

- Questa dash cam è un ausilio alla guida, ideato per registrare le immagini esterne al veicolo. Non ha la funzione di garantire la sicurezza di guida dell'utilizzatore. Gli utilizzatori dovranno rispettare le norme e i regolamenti stradali locali e considerare la sicurezza di guida come una priorità. Non usare questo prodotto durante la guida.
- A causa delle differenti condizioni del veicolo, dello stile di guida, dell'ambiente di guida e altro, alcune funzioni potrebbero non funzionare correttamente. Le interruzioni di alimentazione, l'uso in ambienti al di fuori della normale gamma di temperatura e umidità operativa, le collisioni o l'uso di una scheda di memoria danneggiata potrebbero causare il funzionamento anomalo della dash cam. Non si garantisce che questa dash cam funzioni regolarmente in tutte le circostanze. I video registrati da questa dash cam hanno solo scopo di riferimento.
- Installare correttamente la dash cam e non bloccare la visuale del conducente o l'airbag del veicolo, per evitare guasti al prodotto o lesioni personali.
- Se il parabrezza anteriore in cui è installata la dash cam fosse ricoperto da una pellicola colorata per autoveicoli, potrebbe influire sulla qualità di registrazione del video o causare distorsioni. L'applicazione di una pellicola metallica sul parabrezza anteriore potrebbe comportare una diminuzione della qualità del segnale GPS per i modelli di dash cam dotati di moduli GPS integrati.
- Evitare urti o scosse violente alla dash cam, altrimenti il prodotto potrebbe non funzionare correttamente. Mantenere la dash cam a distanza da forti campi magnetici.
- Per lavare la dash cam, non usare mai solventi chimici o detersivi.
- Non utilizzare la dash cam in ambienti con temperature superiori a 60 °C o inferiori a -10 °C.
- La dash cam è in funzione da un certo periodo di tempo, la temperatura dell'involucro esterno aumenta, pertanto fare attenzione quando la si tocca.
- Utilizzare questa dash cam solo per usi consentiti dalla legge.

Informazioni sulla sicurezza

- Per evitare guasti al prodotto dovuti a difetti di conformità, usare il caricabatterie per auto, il cavo di alimentazione e gli altri accessori. Non si assume nessuna responsabilità per eventuali perdite o danni causati dall'uso di caricabatterie per auto o di cavi di alimentazione non originali.
- Se per caricare la dash cam si usano gli adattatori di alimentazione, utilizzare solo adattatori di alimentazione conformi agli standard di sicurezza locali o certificati e forniti da produttori qualificati.

- Lo smaltimento di una batteria nel fuoco o in un forno caldo oppure lo schiacciamento o il taglio meccanico di una batteria potrebbero provocare un'esplosione.
- Lasciare la batteria in un ambiente con temperatura estremamente elevata che potrebbe provocare un'esplosione o la fuoriuscita di liquidi o gas infiammabili.
- Una batteria sottoposta a una pressione atmosferica estremamente bassa che potrebbe provocare un'esplosione o la fuoriuscita di liquidi o gas infiammabili.
- Questo dispositivo è dotato di una batteria integrata che non può essere rimossa o sostituita. Non smontare o modificare la batteria in autonomia.
- La sostituzione di una batteria con una di tipo errato può vanificare una protezione (ad esempio, nel caso di alcuni tipi di batterie al litio).
- La dash cam e i suoi accessori potrebbero contenere parti di piccole dimensioni. Per evitare il soffocamento o altri rischi o danni causati dai bambini, tenere la dash cam fuori dalla portata dei bambini.

Istruzioni per la scheda di memoria

- Prima dell'uso, è necessario installare nella dash cam una scheda di memoria (venduta separatamente).
- La dash cam supporta schede microSD standard. Utilizzare schede di memoria di capacità 16GB ~ 256GB e di classe 10, U1 o superiore.
- Il formato predefinito della partizione dei file della scheda di memoria potrebbe non essere compatibile con il formato supportato dalla dash cam. Prima dell'uso, formattare la scheda di memoria prima di inserirla per la prima volta nella dash cam. La formattazione della scheda di memoria comporta la cancellazione di tutti i file presenti sulla scheda. Eseguire prima il backup dei dati importanti su un altro dispositivo.
- La scheda di memoria può danneggiarsi o deteriorarsi in seguito a ripetuti cicli di sovrascrittura, compromettendone la capacità di salvataggio di file video e di immagine. In tal caso, sostituirla immediatamente con una nuova scheda di memoria.
- Utilizzare una scheda di memoria di alta qualità acquistata da un fornitore affidabile. Le schede di memoria di qualità inferiore potrebbero presentare problemi, per esempio una velocità di lettura/scrittura effettiva non corrispondente a quella dichiarata e una capacità di memorizzazione effettiva non corrispondente a quella dichiarata. Non si assume alcuna responsabilità per i video persi o danneggiati a causa dell'uso di una scheda di memoria di bassa qualità.
- Non inserire o rimuovere una scheda di memoria mentre la dash cam è accesa.

Informazioni sulla conformità a normative e standard

Informazioni RAEE



Tutti i prodotti contrassegnati da questo simbolo sono rifiuti di apparecchiature elettriche ed elettroniche (RAEE) in base alla direttiva 2012/19/UE che non devono essere smaltiti assieme a rifiuti domestici non differenziati.

Al contrario, è necessario proteggere l'ambiente e la salute umana consegnando i rifiuti a un punto di raccolta autorizzato al riciclaggio di rifiuti di apparecchiature elettriche ed elettroniche, predisposto dalla pubblica amministrazione o dalle autorità locali. Lo smaltimento e il riciclaggio corretti aiutano a prevenire conseguenze potenzialmente negative per l'ambiente e la salute umana. Contattare l'installatore o le autorità locali per ulteriori informazioni sulla sede e per i termini e le condizioni di tali punti di raccolta.

Dichiarazione di conformità europea



Il produttore dichiara che la presente apparecchiatura è conforme alle direttive e alle norme europee applicabili nonché alle relative modifiche. Il testo completo della dichiarazione di conformità UE è disponibile al seguente indirizzo Internet: <https://help.70mai.asia/1193.html>

Scatola	Neto	Manuale	Borsa	Pellicola
PAP 21	PS 6	PAP 22	CPE 7	PET 1
Carta	Plastica	Carta	Plastica	Plastica

RACCOLTA DIFFERENZIATA
Verifica le disposizioni del tuo Comune.
Separa le componenti e conferiscile in modo corretto.



Assistenza: help@70mai.com

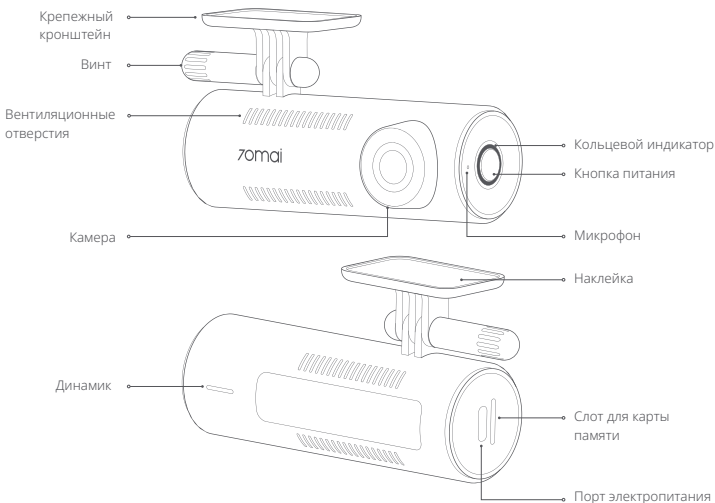
Per altre informazioni, andare su www.70mai.com

Produttore: 70mai Co., Ltd.

Indirizzo: Room 2220, Building 2, n. 588 Zixing Road, Minhang District, Shanghai, Cina

Обзор устройства

Внимательно прочитайте данное руководство перед использованием изделия и храните его в надежном месте.



Комплектация

1. Видеорегистратор, 1 шт.
2. Кабель питания, 1 шт.
3. Зарядное автомобильное устройство, 1 шт.
4. Электростатическая наклейка, 2 шт.
5. Наклейка, 1 шт.
6. Ломик, 1 шт.
7. Руководство пользователя, 1 шт.

Примечание. Изображения изделия, аксессуаров и пользовательского интерфейса в руководстве пользователя приведены только для справки. Фактический внешний вид устройства и его функции могут отличаться в результате внесения изменений в устройство.

Установка

1. Наклеивание электростатической наклейки

Установите электростатическую наклейку в рекомендуемую область на лобовом стекле. Прижмите наклейку, чтобы удалить из нее пузырьки воздуха.

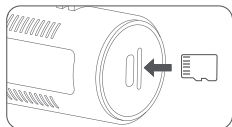
Избегайте края лобового стекла и выбирайте плоскую и гладкую область для установки.

Примечание. Поддерживайте чистоту лобового стекла и не допускайте попадания на него воды, чтобы наклейка не отслоилась и видеорегистратор не упал.



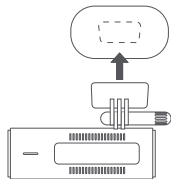
2. Установка карты памяти

Вставьте карту памяти в слот для карт стороной с контактами влево, как показано на рисунке.



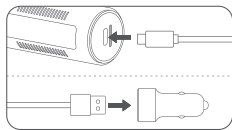
3. Крепление видеорегистратора

Установите видеорегистратор на электростатическую наклейку.



4. Подключение шнура питания

Подключите видеорегистратор и зарядное устройство автомобиля с помощью шнура питания.

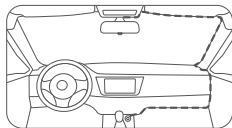


5. Прокладка кабеля

Протяните шнур питания к гнезду питания автомобиля и подключите зарядное устройство автомобиля к разъему питания. Запустите двигатель; видеорегистратор включится автоматически.

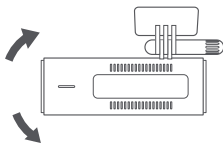
Примечания.

- Используйте ломик в комплекте, чтобы скрыть шнур питания под обшивкой автомобиля и резиновым уплотнением вдоль передней стойки.
- В зависимости от автомобиля гнездо питания может быть расположено в разных местах. Рисунок приведен только для справки.



6. Регулировка угла камеры

Привяжите видеорегистратор к приложению 70mai и перейдите на главную страницу видеорегистратора. Настройте угол камеры на основе изображения на экране в реальном времени.



Функции кнопок

Состояние видеорегистратора	Действие	Функция
Выключен (видеорегистратор должен подключиться к источнику питания)	Нажатие один раз	Включение устройства
Включен	Нажатие и удержание 3 секунды	Выключение устройства
	Нажатие один раз	Включение и выключение Wi-Fi
	Нажатие 4 раз подряд	Форматирование карты памяти
	Нажатие 5 раз подряд	Сброс до заводских настроек
	Нажатие и удержание 15 секунд	Принудительный перезапуск устройства
Получение запроса на подключение от телефона	Нажатие один раз	Подтверждение авторизации подключения

Подключение к приложению 70mai

Данное устройство должно использоваться с приложением 70mai. Выполните шаги ниже для подключения к приложению.

1. Отсканируйте QR-код для загрузки и установки приложения. Или выполните поиск по запросу “70mai” в магазине приложений, чтобы загрузить и установить его.



Сканирование для загрузки приложения

2. Откройте приложение, нажмите “+” на странице устройства, найдите соответствующий тип видеорегистратора и нажмите его изображение.
3. Включите видеорегистратор и точку доступа Wi-Fi. Следуйте инструкциям на экране, чтобы подключить точку доступа Wi-Fi в настройках телефона.
4. После подключения вернитесь в приложение 70mai. На странице устройства привяжите видеорегистратор и перейдите на главную страницу видеорегистратора. Вы можете просматривать видео в реальном времени и изменять настройки видеорегистратора.

Примечание. Для подключения видеорегистратора к точке доступа Wi-Fi с помощью мобильного телефона требуется Android 5.0 и iOS 11.0 или выше.

Если вам требуется помощь при подключении приложения, отсканируйте QR-код ниже для просмотра обучающего видео.



Сканирование для загрузки видео

Информация о точке доступа Wi-Fi:

Название точки доступа: 70mai_M310_XXXX (см. этикетку на устройстве, чтобы узнать название точки доступа.)

Пароль по умолчанию: 12345678

Голосовое управление

Видеореги­стратор поддерживает голосовое управление. Когда видеореги­стратор работает, голосовые команды от пользователя активируют соответствующие функции.

Если системный язык видеореги­стратора установлен на традиционный китайский, будут поддерживаться голосовые команды на мандаринском наречии китайского языка. Если установлен другой язык, будут поддерживаться команды только на английском языке. Голосовые команды:

Голосовая команда	Функция
Take photo	Видеореги­стратор сделает фото и сохранит его в альбом.
Lock the video	Видеореги­стратор запишет видео и сохранит его в каталоге для важных видео.
Turn on audio	Видеореги­стратор будет выполнять запись не только видео, но и аудио.
Turn off audio	Видеореги­стратор будет записывать видео без звука.
Turn on hotspot	Точка доступа Wi-Fi видеореги­стратора будет включена.
Turn off hotspot	Точка доступа Wi-Fi видеореги­стратора будет выключена.

Примечание. Если видеореги­стратор подключен к приложению 70mai, голосовое управление не поддерживается.

Характеристики

Продукт: Dash Cam (Видеореги­стратор)	Тип аккумулятора: литий-ионная аккумуляторная батарея
Модель: M310	Источник питания: автомобильный прикуриватель
Вход: 5 В \pm 2 А	Размеры: 100,3 \times 52,5 \times 36,1 мм
Емкость аккумулятора: 300 мА ч	Беспроводная связь: Wi-Fi IEEE 802.11b/g/n 2,4 ГГц
Разрешение: 2304 \times 1296	Рабочая частота Wi-Fi: 2400-2483,5 МГц
Объектив: FOV 130°/ F2.0	Максимальная выходная мощность Wi-Fi: < 20 дБм

Меры предосторожности

Перед использованием видеорегистратора ознакомьтесь со всеми мерами предосторожности и руководствами для обеспечения правильной и безопасной эксплуатации.

- Этот видеорегистратор предназначен для записи видео о ситуации вокруг автомобиля. Он не предназначен для обеспечения безопасности пользователя во время вождения. Пользователи должны соблюдать местные правила дорожного движения для обеспечения безопасности на дороге. Не пользуйтесь этим устройством во время движения.
- Из-за различий в конфигурации автомобиля, стиле, условиях вождения и т. д. некоторые функции могут работать неправильно. Сбой питания, использование в условиях, выходящих за пределы нормальной рабочей температуры или диапазона влажности, удары или повреждение карты памяти могут привести к неправильной работе видеорегистратора. Нет гарантии, что видеорегистратор будет нормально функционировать при любых обстоятельствах. Видеоролики, записанные этим видеорегистратором, предназначены только для справки.
- Установите видеорегистратор правильно и не блокируйте поле зрения водителя или подушку безопасности автомобиля, чтобы избежать травм и сбоев в работе продукта.
- Если переднее лобовое стекло, на котором установлен видеорегистратор, покрыто цветной автомобильной пленкой, это может повлиять на качество видеозаписи или вызвать искажение видео. Нанесение металлической пленки на переднее лобовое стекло может привести к снижению качества сигнала GPS для моделей видеорегистраторов, оснащенных встроенными GPS-модулями.
- Избегайте столкновений или сильных толчков видеорегистратора, в противном случае устройство может выйти из строя. Держите видеорегистратор подальше от сильных магнитных полей.
- Запрещается использовать химические растворители или моющие средства для очистки видеорегистратора.
- Не используйте видеорегистратор при температуре выше 60°C или ниже -10°C.
- При работе видеорегистратора в течение некоторого времени температура внешнего корпуса повышается; будьте осторожны при касании.
- Используйте этот видеорегистратор только для целей, разрешенных законом.

Информация о безопасности

- Используйте стандартное автомобильное зарядное устройство, шнур питания и другие комплектные приспособления во избежание сбоев, связанных с несоответствием деталей. Компания не несет ответственности за любые убытки или повреждения, связанные с использованием нестандартных автомобильных зарядных устройств и шнуров питания.

- Если вы используете адаптер питания для зарядки видеорегистратора, используйте только адаптеры питания, соответствующие местным стандартам безопасности или сертифицированные и поставляемые квалифицированными производителями.
- Попадание батареи в огонь или в горячую печь, а также механическое разрушение или резка батареи могут привести к взрыву.
- Оставление батареи в условиях чрезвычайно высокой температуры окружающей среды может привести к взрыву или утечке горючей жидкости или газа.
- Если батарея подвергается воздействию чрезвычайно низкого давления воздуха, это может привести к взрыву или утечке горючей жидкости или газа.
- Данное устройство оснащено встроенной батареей, которую невозможно извлечь или заменить. Не разбирайте и не изменяйте батарею самостоятельно.
- Установка сменной батареи неправильного типа может нарушить защиту (например, в случае некоторых типов литиевых батарей).
- Видеорегистратор и его аксессуары могут содержать мелкие детали. Во избежание удущения, а также повреждений устройства детьми, храните видеорегистратор в недоступном для детей месте.

Указания по работе с картой памяти

- Карту памяти (в комплект не входит) устанавливают непосредственно перед использованием.
- Видеорегистратор поддерживает стандартные карты microSD. Используйте карты памяти емкостью 16 ГБ ~ 256 ГБ и классом 10, U1 или выше.
- Файловый формат раздела по умолчанию на карте памяти может быть несовместим с форматом, поддерживаемым видеорегистратором. При установке карты памяти в первый раз отформатируйте ее в видеорегистраторе перед использованием. Форматирование карты памяти уничтожит все файлы на карте памяти. Заранее сделайте резервную копию важных данных на другом устройстве.
- Многократные циклы перезаписи могут приводить к повреждению карты памяти, что может повлиять на способность хранить файлы видео и изображений. В этом случае немедленно установите новую карту памяти.
- Используйте карту памяти высокого качества, выпущенную авторитетным производителем. У карт памяти плохого качества могут возникнуть неполадки, такие как фактическая скорость чтения/записи, которая не соответствует заявленной, и фактическая емкость хранилища, которая не соответствует заявленной. Наша компания не несет ответственности за утерянные или поврежденные видеоматериалы из-за использования низкокачественной карты памяти.
- Не вставляйте и не удаляйте карту памяти при включенном видеорегистраторе.

Информация о соответствии требованиям

Информация об отходах электрического и электронного оборудования



Все изделия, обозначенные символом раздельного сбора обработанного электрического и электронного оборудования (WEEE, директива 2012/19/EU), следует утилизировать отдельно от несортируемых бытовых отходов. С целью охраны здоровья и защиты окружающей среды такое оборудование необходимо сдавать на переработку в специальные пункты приема электрического и электронного оборудования, определенные правительством или местными органами власти. Правильная утилизация и переработка помогут предотвратить возможные негативные последствия для окружающей среды и здоровья человека. Чтобы узнать, где находятся такие пункты сбора и как они работают, обратитесь в компанию, занимающуюся установкой оборудования, или в местные органы власти.

Декларация о соответствии нормативным требованиям ЕС



Производитель настоящим заявляет, что данное оборудование соответствует требованиям всех применимых директив и европейских норм, а также внесенных в них изменений и дополнений. Полный текст декларации о соответствии нормативным требованиям ЕС доступен по следующему адресу: <https://help.70mai.asia/1193.html>

Дата изготовления: см. на упаковке

Сделано в Китае

Продукт должен транспортироваться в упаковке. Не подвергайте продукт давлению или ударам во время транспортировки.

Продукт продается онлайн и в физических магазинах.

Сведения об импортере и контактная информация отдела послепродажного обслуживания указаны на упаковке.

За информацией о сроке службы обращайтесь к дилеру.

Температура хранения: от -20 °C до 70 °C

Относительная влажность: 10–90%

Рабочая температура изделия — от -10°C до 60 °C, температура хранения — от -20 °C до 70 °C. Не подвергайте изделие воздействию экстремальных температур или повышенной влажности. Когда рабочая температура или температура хранения выходит за пределы рабочего диапазона, изделие может выйти из строя, а срок службы батареи сократиться. Если изделие оставить в машине или подвергнуть длительному воздействию прямых солнечных лучей, температура превысит рабочую. В таком случае переместите изделие в прохладное, хорошо проветриваемое место вдали от прямых солнечных лучей, а затем попробуйте запустить его снова.



Справочная служба: help@70mai.com

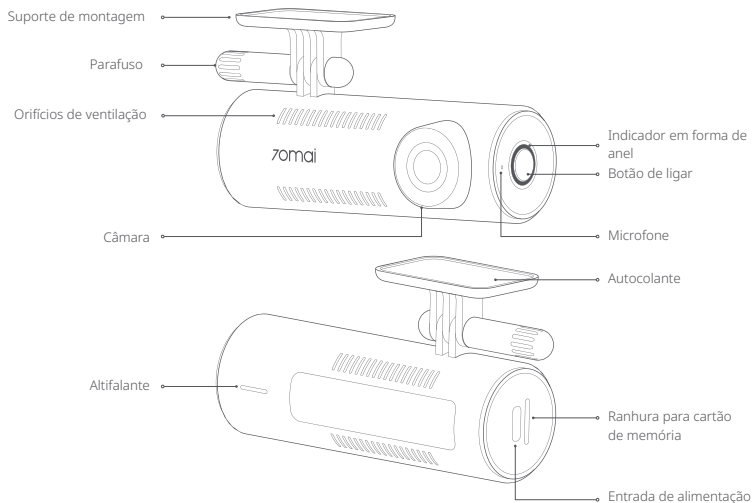
Для получения дополнительной информации посетите веб-сайт www.70mai.com

Производитель: 70mai Co., Ltd.

Адрес: Room 2220, Building 2, No. 588 Zixing Road, Minhang District, Shanghai, China

Vista geral do produto

Leia este manual com atenção antes de utilizar o produto e guarde-o num local seguro.



Conteúdo da embalagem

1. Dash Cam × 1
2. Cabo de alimentação × 1
3. Carregador para veículo × 1
4. Autocolante eletrostático × 2
5. Autocolante × 1
6. Ferramenta de levantar forros × 1
7. Manual do utilizador × 1

Nota: As ilustrações do produto, dos acessórios e da interface de utilizador incluídas no manual do utilizador servem apenas para referência. O produto real e as respetivas funções poderão ser diferentes como resultado de melhoramentos efetuados no produto.

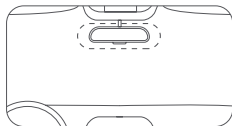
Instalação

1. Instalar o autocolante eletrostático

Cole o autocolante eletrostático na área recomendada do para-brisas dianteiro. Pressione o autocolante para remover as bolhas de ar.

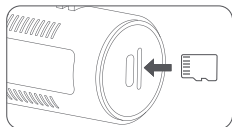
Evite a extremidade do para-brisas e selecione uma área plana e lisa para a instalação.

Nota: Mantenha o para-brisas limpo e seco, sem resíduos de líquido, para evitar que o autocolante perca aderência e a câmara do tablier caia.



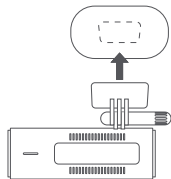
2. Instalar o cartão de memória

Insira o cartão de memória na ranhura para cartão com o lado dos contactos virado para a esquerda, conforme ilustrado na figura.



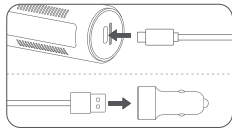
3. Montar a câmara do tablier

Cole a câmara do tablier no autocolante eletrostático.



4. Ligar o cabo de alimentação

Ligue a câmara do tablier ao carregador para veículo com o cabo de alimentação.

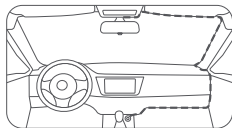


5. Encaminhar o cabo

Encaminhe o cabo de alimentação até à tomada de alimentação do veículo e ligue o carregador para veículo na tomada de alimentação. Ligue o motor do veículo e a câmara do tablier liga-se automaticamente.

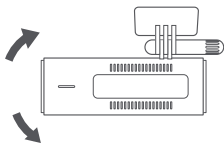
Notas:

- Utilize a ferramenta de levantar forros incluída para esconder o cabo de alimentação por baixo do forro do teto do veículo e do vedante de borracha ao longo do pilar A.
- Dependendo do veículo, a tomada de alimentação pode estar situada numa posição diferente. A figura fornecida serve apenas de referência.



6. Ajustar o ângulo da câmara

Associe a câmara do tablier à aplicação 70mai e entre na página inicial da câmara do tablier. Ajuste o ângulo da câmara observando a imagem em tempo real no ecrã.



Funções dos botões

Estado da câmara do tablier	Operação	Função
Desligada (a câmara do tablier deve ser ligada à fonte de alimentação)	Premir uma vez	Ligar o dispositivo
Ligada	Manter premido durante cerca de 3 segundos	Desligar o dispositivo
	Premir uma vez	Ligar/desligar o Wi-Fi
	Premir 4 vezes de seguida	Formatar o cartão de memória
	Premir 5 vezes de seguida	Repor as definições de fábrica
	Manter premido durante cerca de 15 segundos	Forçar o reinício do dispositivo
Receber o pedido de ligação do telefone	Premir uma vez	Confirmar a autorização da ligação

Ligar à aplicação 70mai

Este produto tem de ser utilizado em conjunto com a aplicação 70mai. Siga os passos indicados abaixo para o ligar à aplicação.

1. Leia o código QR para transferir e instalar a aplicação. Ou pesquise “70mai” na loja de aplicações para a transferir e instalar.



Leia para transferir a aplicação

2. Abra a aplicação, toque em “+” na página do dispositivo, encontre o tipo de câmara do tablier correspondente e toque na imagem da câmara do tablier.
3. Ligue a câmara do tablier e ative o hotspot Wi-Fi. Siga as instruções no ecrã para estabelecer a ligação ao hotspot Wi-Fi da câmara do tablier nas definições do telefone.
4. Após estabelecer a ligação, volte à aplicação 70mai. Na página do dispositivo, estabeleça a ligação à câmara do tablier e entre na página inicial da câmara do tablier. Pode ver o vídeo em tempo real e configurar as definições da câmara do tablier.

Nota: É necessária a versão Android 5.0 e iOS 11.0 ou uma versão superior para estabelecer a ligação ao hotspot Wi-Fi da câmara do tablier com um telemóvel.

Se precisar de mais ajuda quando ligar a aplicação, leia o código QR abaixo para ver o vídeo do tutorial.



Leia para ver o vídeo

A informação do hotspot Wi-Fi é a seguinte:

Nome do hotspot: 70mai_M310_XXXX (Verifique o nome do hotspot na etiqueta do dispositivo.)

Palavra-passe predefinida: 12345678

Controle por voz

A câmara do tablier suporta controle por voz. Quando a câmara do tablier está a funcionar, os comandos por voz do utilizador acionam as funções correspondentes.

Se estiver selecionado o idioma chinês tradicional para emissão da câmara do tablier, os comandos por voz em mandarim são suportados. Se estiver selecionado qualquer outro idioma, apenas os comandos por voz em inglês são suportados. Os comandos por voz são os seguintes:

Comando por voz	Função
Take photo	A câmara do tablier tira uma fotografia e guarda-a no álbum.
Lock the video	A câmara do tablier grava um vídeo de emergência e guarda-o na pasta de vídeos de emergência.
Turn on audio	A câmara do tablier grava áudio além dos vídeos.
Turn off audio	A câmara do tablier grava apenas vídeos e nenhum áudio.
Turn on hotspot	O hotspot Wi-Fi da câmara do tablier é ligado.
Turn off hotspot	O hotspot Wi-Fi da câmara do tablier é desligado.

Nota: Quando a câmara do tablier está ligada à aplicação 70mai, o controle por voz não é suportado.

Especificações

Produto: Dash Cam

Modelo: M310

Entrada: 5V \pm 2A

Capacidade da bateria: 300 mAh

Resolução: 2304 \times 1296

Lente: FOV 130°/ F2.0

Tipo de bateria: Bateria de íões de lítio

Fonte de alimentação: Tomada de isqueiro de veículo

Dimensões do item: 100,3 \times 52,5 \times 36,1 mm

Conectividade sem fios: Wi-Fi IEEE 802.11b/g/n 2,4 GHz

Frequência de funcionamento do Wi-Fi: 2.400-2.483,5 MHz

Potência máxima do Wi-Fi: < 20 dBm

Precauções

Antes de utilizar esta câmara do tablier, leia todas as precauções e o manual online para assegurar uma utilização correta e segura.

- Esta câmara do tablier é um auxiliar de condução concebido para gravar imagens do exterior do veículo. Não tem a função de garantir a segurança da condução do utilizador. Os utilizadores têm de respeitar as regras e os regulamentos de trânsito locais e considerar a segurança de condução como uma prioridade. Não interaja com este produto durante a condução.
- Devido a diferenças nas condições dos veículos, estilo de condução, ambiente de condução e outros fatores, algumas funções podem não funcionar corretamente. Uma falha de energia, utilização em ambientes fora do intervalo normal de temperaturas ou humidades para funcionamento, uma colisão ou um cartão de memória danificado pode provocar o funcionamento anómalo da câmara do tablier. Não há garantias de que esta câmara do tablier funcione normalmente em todas as circunstâncias. Os vídeos gravados por esta câmara do tablier servem apenas de referência.
- Instale corretamente esta câmara do tablier e não bloqueie a linha de visão do condutor nem o airbag do veículo a fim de evitar falhas do produto ou ferimentos pessoais.
- Se o para-brisas dianteiro onde a câmara do tablier está instalada estiver coberto com película de automóvel colorida, esta pode afetar a qualidade de gravação de vídeo ou provocar distorção de vídeo. Se for aplicada uma película metálica no para-brisas, esta pode resultar numa diminuição da qualidade do sinal de GPS nos modelos de câmara do tablier equipados com módulos de GPS incorporados.
- Evite impactos ou abanões violentos na câmara do tablier porque podem avariar o produto. Mantenha esta câmara do tablier longe de quaisquer campos magnéticos fortes.
- Nunca utilize um solvente químico ou detergente para lavar a câmara do tablier.
- Não utilize esta câmara do tablier em ambientes com temperaturas superiores a 60 °C ou inferiores a -10 °C.
- Quando a câmara do tablier tiver estado a funcionar durante um período de tempo, a temperatura da caixa exterior aumentará, portanto tenha cuidado ao tocar-lhe.
- Utilize esta câmara do tablier apenas dentro do âmbito permitido por lei.

Informação de segurança

- Utilize o carregador para veículo, o cabo de alimentação e outros acessórios incluídos, a fim de evitar a falha do produto devido a alguma não conformidade. Não nos responsabilizamos por quaisquer perdas ou danos causados pela utilização de um carregador para veículo ou cabo de alimentação não genuíno.
- Se utilizar um adaptador de alimentação para carregar a câmara do tablier, utilize apenas adaptadores de

alimentação que cumpram as normas de segurança locais ou sejam certificados e fornecidos por fabricantes qualificados.

- A eliminação de uma bateria em fogo ou forno quente ou esmagar ou cortar mecanicamente uma bateria pode resultar numa explosão.
- Deixar uma bateria num ambiente com uma temperatura extremamente elevada pode resultar numa explosão ou na fuga de líquido ou gás inflamável.
- Uma bateria sujeita a uma pressão de ar extremamente baixa pode resultar numa explosão ou na fuga de líquido ou gás inflamável.
- Este dispositivo está equipado com uma bateria incorporada que não pode ser removida ou substituída. Não desmonte nem modifique a bateria.
- Substituir uma bateria por outra de um tipo incorreto anular uma proteção (por exemplo, no caso de alguns tipos de bateria de lítio).
- A câmara do tablier e os respetivos acessórios podem conter peças pequenas. Para evitar asfixia ou outros perigos ou danos causados por crianças, mantenha a câmara do tablier fora do alcance de crianças.

Instruções sobre o cartão de memória

- É necessário instalar um cartão de memória (vendido separadamente) na câmara do tablier antes da utilização.
- A câmara do tablier suporta cartões microSD padrão. Utilize cartões de memória com capacidade de 16 GB ~ 256 GB e classe 10, U1 ou superior.
- O formato de partição de ficheiros predefinido do cartão de memória pode ser inconsistente com o formato suportado pela câmara do tablier. Quando introduzir o cartão de memória pela primeira vez, deve formatá-lo na câmara do tablier antes da utilização. A formatação do cartão de memória irá apagar todos os ficheiros no cartão. Faça previamente uma cópia de segurança de dados importantes para outro dispositivo.
- O cartão de memória pode ficar danificado ou deteriorar-se após ciclos de gravação repetidos e tal pode afetar a sua capacidade de guardar ficheiros de vídeo e imagem. Se tal ocorrer, substitua-o imediatamente por um novo cartão de memória.
- Utilize um cartão de memória de alta qualidade comprado a um fornecedor respeitável. Os cartões de memória de qualidade inferior podem ter problemas, tais como velocidades de leitura/escrita reais que não correspondem às velocidades indicadas e uma capacidade de armazenamento real que não corresponde à capacidade de armazenamento indicada. Não nos responsabilizamos por perdas ou danos em vídeos causados pela utilização de um cartão de memória de baixa qualidade.
- Não coloque nem retire o cartão de memória quando a câmara do tablier estiver ligada.

Informação sobre o cumprimento da regulamentação

Informações relativas aos REEE



Todos os produtos que apresentem este símbolo são considerados resíduos de equipamentos elétricos e eletrónicos (REEE, conforme a Diretiva 2012/19/UE), não devendo ser misturados com resíduos domésticos indiscriminados.

Em vez disso, o utilizador deve proteger a saúde humana e o meio ambiente e entregar o respetivo equipamento num ponto de recolha designado para reciclagem de resíduos de equipamentos elétricos e eletrónicos, indicado pelo governo ou pelas autoridades locais. A correta eliminação e a reciclagem ajudarão a prevenir eventuais consequências negativas para o meio ambiente e a saúde humana. Para obter mais informações sobre os locais e os termos e condições de tais pontos de recolha, entre em contacto com a entidade responsável pela instalação ou com as autoridades locais.

Declaração de conformidade da UE



O fabricante, pelo presente, declara que este equipamento está em conformidade com as diretivas e normas europeias aplicáveis e as respetivas alterações. O texto completo da declaração de conformidade da UE está disponível em: <https://help.70mai.asia/1193.html>

Assistência: help@70mai.com

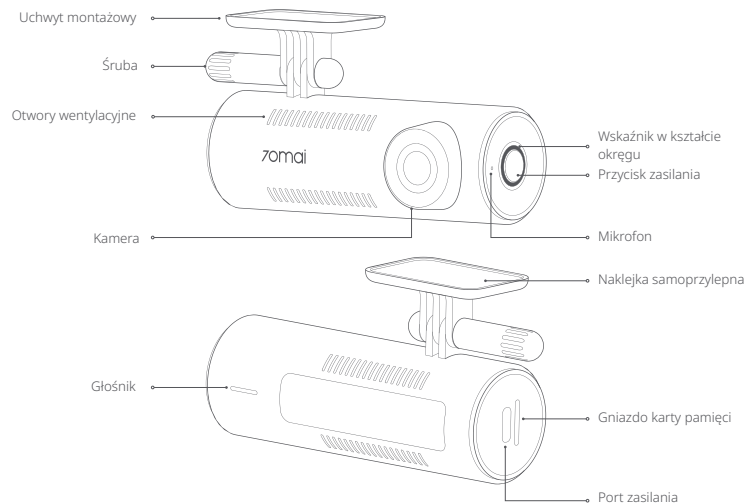
Para obter mais informações, visite www.70mai.com

Fabricante: 70mai Co., Ltd.

Endereço: Room 2220, Building 2, No. 588 Zixing Road, Minhang District, Shanghai, China

Przegląd produktu

Prosimy starannie zapoznać się z tą instrukcją przed rozpoczęciem użytkowania produktu oraz przechowywać ją w bezpiecznym miejscu.



Zawartość opakowania

1. Dash Cam × 1
2. Kabel zasilający × 1
3. Ładowarka samochodowa × 1
4. Naklejka elektrostatyczna × 2
5. Naklejka samoprzylepna × 1
6. Narzędzie do ukrywania przewodów × 1
7. Instrukcja obsługi × 1

Uwaga: Ilustracje produktu, akcesoriów i interfejsu użytkownika są zawarte w tej instrukcji obsługi wyłącznie dla celów referencyjnych. Faktyczny produkt i jego funkcje mogą różnić się w zależności od kolejnych wersji urządzenia.

Instalacja

1. Instalacja naklejki elektrostatycznej

Przyklej naklejkę elektrostatyczną w zalecanym obszarze przedniej szyby.
Dociśnij naklejkę, aby usunąć pęcherzyki powietrza.

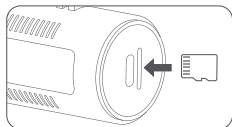
Unikaj krawędzi przedniej szyby i wybierz płaski i gładki obszar do instalacji.

Uwaga: Należy utrzymywać przednią szybę czystą i suchą, bez pozostałości płynu, aby zapobiec utracie przyczepności naklejki i spadnięciu kamery samochodowej.



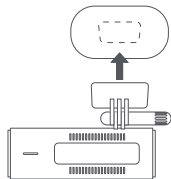
2. Instalacja karty pamięci

Włóż kartę pamięci do gniazda karty stykami skierowanymi w lewo, jak pokazano na rysunku.



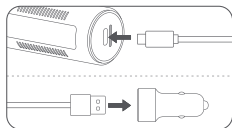
3. Montaż kamery samochodowej

Naklej kamerę samochodową na naklejkę elektrostatyczną.



4. Podłączenie przewodu zasilającego

Podłącz kamerę samochodową i ładowarkę samochodową za pomocą przewodu zasilającego.

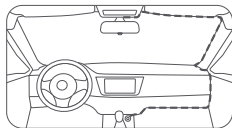


5. Prowadzenie przewodu

Poprowadź przewód zasilający do gniazda zasilania pojazdu i podłącz ładowarkę samochodową do gniazda zasilania. Uruchoń silnik samochodu, a kamera samochodowa włączy się automatycznie.

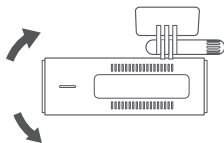
Uwagi:

- Przy pomocy załączonego narzędzia do ukrywania przewodów ukryj przewód pod podsufitką i uszczelką gumową przy słupku A.
- W zależności od pojazdu, gniazdo zasilania może być umieszczone w różnych miejscach. Pokazany rysunek ma wyłącznie charakter referencyjny.



6. Regulacja kąta kamery

Połącz kamerę samochodową z aplikacją 70mai i wejdź na stronę główną kamery samochodowej. Dostosuj kąt kamery na podstawie obrazu w czasie rzeczywistym na ekranie.



Funkcje przycisków

Stan kamery samochodowej	Operacja	Funkcja
Wyłączone (kamera samochodowa powinna być podłączona do źródła zasilania)	Naciśnij raz	Włącz urządzenie
Włączone	Naciśnij i przytrzymaj przez około 3 sekundy	Wyłącz urządzenie
	Naciśnij raz	Włącz/wyłącz Wi-Fi
	Naciśnij 4 razy z rzędu	Sformatuj kartę pamięci
	Naciśnij 5 razy z rzędu	Zresetuj do ustawień fabrycznych
	Naciśnij i przytrzymaj przez około 15 sekundy	Wymuś ponowne uruchomienie urządzenia
Odbieranie żądania połączenia z telefonu	Naciśnij raz	Potwierdź autoryzację połączenia

Połączenie z aplikacją 70mai

Produkt ten musi być użytkowany wraz z aplikacją 70mai. Wykonaj poniższe czynności, aby połączyć go z aplikacją.

1. Zeskanuj kod QR, aby pobrać i zainstalować aplikację. Lub wyszukaj „70mai” w sklepie z aplikacjami, aby ją pobrać i zainstalować.



Zeskanuj, aby pobrać aplikację

2. Otwórz aplikację, dotknij „+” na stronie urządzenia, znajdź odpowiedni typ kamery samochodowej i dotknij obrazu kamery samochodowej.
3. Włącz kamerę samochodową i włącz hotspot Wi-Fi. Postępuj zgodnie z instrukcjami wyświetlanymi na ekranie, aby podłączyć hotspot Wi-Fi kamery samochodowej w ustawieniach telefonu.
4. Po pomyślnym nawiązaniu połączenia wróć do aplikacji 70mai. Na stronie urządzenia podłącz kamerę samochodową i wejdź na stronę główną kamery samochodowej. Możesz obejrzeć wideo na żywo i skonfigurować ustawienia kamery samochodowej.

Uwaga: Do podłączenia hotspotu Wi-Fi kamery samochodowej z telefonem komórkowym konieczny jest co najmniej Android 5.0 i iOS 11.0 lub ich późniejsze wersje.

Jeśli potrzebujesz dodatkowej pomocy podczas łączenia się z aplikacją, zeskanuj poniższy kod QR, aby wyświetlić film instruktażowy.



Zeskanuj, aby wyświetlić film

Informacje o hotspotcie Wi-Fi są następujące:

Nazwa hotspotu: 70mai_M310_XXXX (Sprawdź na etykiecie urządzenia nazwę hotspotu.)

Domyślne hasło: 12345678

Sterowanie głosowe

Kamera samochodowa obsługuje sterowanie głosowe. Gdy kamera samochodowa działa, polecenia głosowe użytkownika uruchamiają odpowiednie funkcje.

Jeśli język komunikatów kamery samochodowej jest ustawiony na chiński tradycyjny, obsługiwane są polecenia głosowe w języku mandaryńskim. Jeśli ustawiony jest inny język, obsługiwane są tylko polecenia głosowe w języku angielskim. Polecenia głosowe są następujące:

Polecenie głosowe	Funkcja
Take photo	Kamera samochodowa zrobi zdjęcie i zapisze je w albumie.
Lock the video	Kamera samochodowa nagra wideo awaryjne i zapisze je w katalogu wideo awaryjnych.
Turn on audio	Kamera samochodowa nagra zarówno dźwięk, jak i wideo.
Turn off audio	Kamera samochodowa nie będzie nagrywać dźwięku, a jedynie filmy.
Turn on hotspot	Hotspot Wi-Fi kamery samochodowej zostanie włączony.
Turn off hotspot	Hotspot Wi-Fi kamery samochodowej zostanie wyłączony.

Uwaga: Gdy kamera samochodowa jest podłączona do aplikacji 70mai, sterowanie głosowe nie jest obsługiwane.

Dane techniczne

Produkt: Dash Cam

Model: M310

Moc wejściowa: 5V = 2A

Pojemność baterii: 300mAh

Rozdzielczość: 2304 × 1296

Soczewki: FOV 130°/ F2.0

Typ baterii: Akumulator litowo-jonowy

Zasilanie: Zapalniczka samochodowa

Wymiary przedmiotu: 100,3 × 52,5 × 36,1 mm

Łączność bezprzewodowa: Wi-Fi IEEE 802.11b/g/n 2,4 GHz

Częstotliwość pracy Wi-Fi: 2 400 - 2 483,5 MHz

Maksymalna moc wyjściowa Wi-Fi: < 20 dBm

Środki zapobiegawcze

Przed rozpoczęciem korzystania z niniejszej kamery samochodowej, prosimy o zapoznanie się z wszystkimi środkami zapobiegawczymi oraz instrukcją obsługi dla zapewnienia prawidłowego i bezpiecznego użytkowania produktu.

- Ta kamera samochodowa to pomoc w prowadzeniu pojazdu przeznaczona do nagrywania obrazów na zewnątrz pojazdu. Nie posiada funkcji zapewnienia bezpieczeństwa jazdy użytkownika. Użytkownicy muszą przestrzegać lokalnych przepisów ruchu drogowego i traktować bezpieczeństwo jazdy jako priorytet. Nie obsługuj tego produktu podczas jazdy.
- Ze względu na różne warunki pojazdów, style jazdy, otoczenie jazdy i inne czynniki, niektóre funkcje urządzenia mogą nie działać prawidłowo. Awaria zasilania, stosowanie w środowisku z temperaturą wykraczającą poza zakres normalnej temperatury działania lub wilgotnością również poza zakresem, kolizja lub uszkodzona karta pamięci mogą spowodować nieprawidłowe działanie kamery. Nie ma żadnej gwarancji, że kamera ta będzie prawidłowo działać we wszystkich okolicznościach. Nagrania wideo zapisane w niej są wyłącznie dla celów referencyjnych.
- Prosimy o prawidłowe zainstalowanie kamery samochodowej w sposób nie blokujący zakresu widoku dla kierowcy lub poduszki powietrznej, aby zapobiec uszkodzeniu urządzenia lub urazów ciała.
- Jeśli przednia szyba, na której zainstalowana jest kamera samochodowa, jest pokryta kolorową folią samochodową, może to wpłynąć na jakość nagrywania wideo lub spowodować zniekształcenie obrazu. Jeśli na przednią szybę zostanie nałożona metalowa folia, może to doprowadzić do obniżenia jakości sygnału GPS dla modeli kamer samochodowych wyposażonych we wbudowane moduły GPS.
- Należy unikać kolizji lub silnych wstrząsów kamery samochodowej, w przeciwnym razie produkt może działać nieprawidłowo. Kamerę samochodową należy trzymać z dala od silnych pól magnetycznych.
- Nigdy nie należy używać chemicznych rozpuszczalników ani detergentów do mycia kamery samochodowej.
- Nie używać kamery w środowisku o temperaturze ponad 60°C lub poniżej -10°C.
- Gdy kamera samochodowa będzie działać przez pewien czas, temperatura zewnętrznej obudowy wzrośnie, więc należy zachować ostrożność podczas jej dotykania.
- Należy korzystać z urządzenia wyłącznie w zakresie dopuszczalnym prawnie.

Informacje dotyczące bezpieczeństwa

- Należy skorzystać z załączonej ładowarki samochodowej, przewodu zasilającego i innych akcesoriów w celu uniknięcia awarii produktu z powodu niezgodności akcesoriów. Nie ponosimy odpowiedzialności za żadne straty lub szkody spowodowane użytkowaniem nieoryginalnej ładowarki lub kabla zasilającego.

- W przypadku zastosowania zasilacza do ładowania kamery samochodowej, należy używać tylko zasilaczy zgodnych z lokalnymi normami bezpieczeństwa lub certyfikowanych i dostarczonych przez wykwalifikowanych producentów.
- Wrzucenie akumulatora do ognia lub gorącego piekarnika, lub jego mechaniczne miażdżenie bądź przecinanie może spowodować wybuch.
- Pozostawienie akumulatora w otoczeniu o bardzo wysokiej temperaturze może spowodować wybuch lub wyciek łatwopalnej cieczy lub gazu.
- Wystawienie akumulatora na działanie bardzo niskiego ciśnienia powietrza może spowodować wybuch lub wyciek łatwopalnej cieczy lub gazu.
- To urządzenie jest wyposażone we wbudowany akumulator, którego nie można wyjąć ani wymienić. Nie należy demontować ani modyfikować akumulatora samodzielnie.
- Wymiana akumulatora na nieprawidłowy typ może zagrozić bezpieczeństwu (na przykład w przypadku niektórych typów akumulatorów litowych).
- Kamera samochodowa i jej akcesoria mogą zawierać małe części. Aby uniknąć zakrztuszenia się lub innych zagrożeń lub uszkodzeń spowodowanych przez dzieci, należy trzymać kamerę samochodową poza zasięgiem dzieci.

Instrukcje dot. karty pamięci

- Jeszcze przed rozpoczęciem korzystania z kamery należy zainstalować w niej kartę pamięci (sprzedawaną oddzielnie).
- Kamera ta obsługuje standardowe karty microSD. Należy używać kart pamięci o pojemności 16 GB ~ 256 GB i klasie szybkości 10, U1 lub wyższej.
- Domyślny format partycji plików w karcie pamięci może być niezgodny z formatem obsługiwanym przez niniejszą kamerę. W przypadku wkładania karty pamięci po raz pierwszy, należy najpierw ją sformatować przed jej użyciem. Formatowanie karty pamięci spowoduje usunięcie z niej wszelkich plików. Dlatego też najpierw więc należy zgrać ważne dane na inne urządzenie.
- Karta pamięci może się uszkodzić lub zepsuć po kilku cyklach przegrywania i może to wpłynąć na możliwość zapisywania plików wideo i obrazów. Jeżeli tak się stanie, należy natychmiast wymienić ją na nową.
- Prosimy korzystać z kart wysokiej jakości, zakupionych od uznanego sprzedawcy. W przypadku kart pamięci gorszej jakości mogą występować problemy, takie jak rzeczywista prędkość odczytu/zapisu, która nie odpowiada podanym prędkościom, oraz rzeczywista pojemność pamięci, która nie odpowiada podanej pojemności. Nie ponosimy odpowiedzialności za utracone lub uszkodzone nagrania wideo z powodu użycia karty pamięci o niskiej jakości.
- Nie wkładać i nie wyjmować karty pamięci z włączonej kamery.

Informacje dotyczące zgodności z przepisami

Informacje dotyczące europejskiej dyrektywy WEEE



Wszystkie produkty oznaczone tym symbolem są uznane za odpady sprzętu elektrycznego i elektronicznego (WEEE zgodnie z Dyrektywą 2012/19/UE) i nie mogą być wyrzucane po zakończeniu okresu użytkowania wraz z innymi odpadami. W celu ochrony zdrowia ludzi oraz środowiska naturalnego należy przekazać zużyty sprzęt do wyznaczonego punktu utylizacji wyznaczonego przez instytucje rządowe lub lokalne. Prawidłowe usunięcie zużytego produktu pomaga w zapobieganiu potencjalnym negatywnym skutkom oddziaływania na środowisko naturalne i zdrowie ludzi. Więcej informacji można uzyskać w urzędzie lokalnym lub od instalatora.

Deklaracja zgodności UE



Niniejszym producent deklaruje zgodność produktu z wymogami odpowiednich dyrektyw oraz norm europejskich wraz ze zmianami. Pełny tekst deklaracji zgodności UE jest dostępny na następującej stronie internetowej: <https://help.70mai.asia/1193.html>

Serwis: help@70mai.com

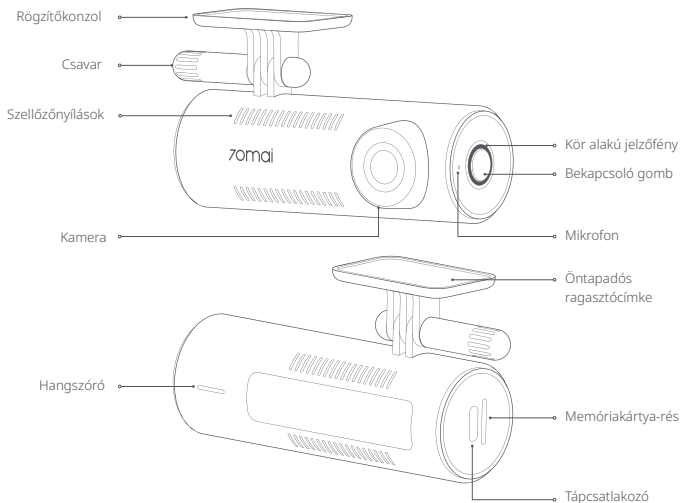
Dalsze informacje znajdują się na stronie www.70mai.com

Producent: 70mai Co., Ltd.

Adres: Room 2220, Building 2, No. 588 Zixing Road, Minhang District, Szanghaj, Chiny

A termék áttekintése

Kérjük, a készülék használatba vétele előtt gondosan olvassa el ezt az útmutatót, és őrizze meg.



A csomag tartalma

- 1. 1 db fedélzeti kamera
- 2. 1 db töltőkábel
- 3. 1 db autós töltő

- 4. 2 db elektrosztatikus lap
- 5. 1 db öntapadós lap

- 6. 1 db szétválasztó szerszám vezeték elvezetéséhez
- 7. 1 db használati útmutató

Megjegyzés: az útmutatóban a készülék, a tartozékok és a kezelőfelület ábrázolásai csak tájékoztató jellegűek. A termékfejlesztések következtében az Ön készüléke ezektől eltérhet.

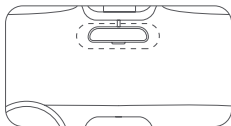
Beszereles

1. Az elektrosztatikus lap felhelyezése

Az elektrosztatikus lapot helyezze az első szélvédő javasolt területére. A lap alól nyomkodja ki a levegőbuborékokat.

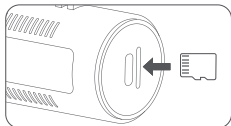
A kamerát ne a szélvédő szélére helyezze fel, és az elhelyezéséhez sík és sima felületet válasszon.

Megjegyzés: a szélvédő legyen tiszta, száraz és folyadékmaradványtól mentes, mert egyébként a lap nem fog megfelelően feltapadni, és a kamera leeshet.



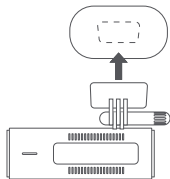
2. A memóriakártya behelyezése

A memóriakártyát az ábrának megfelelően helyezze a kártyarésbe úgy, hogy az érintkezős oldala balra nézzen.



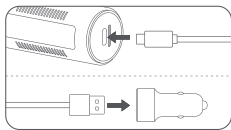
3. A fedélzeti kamera felerősítése

A kamerát nyomja az elektrosztatikus lapra.



4. A tápkábel csatlakoztatása

A fedélzeti kamera tápkábelét csatlakoztassa a szivargyújtó töltőre.

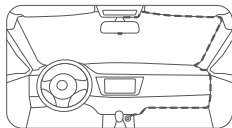


5. A kábel elvezetése

A tápkábelt vezesse el a jármű szivargyújtó csatlakozójáig, és a töltőt dugja a szivargyújtó-csatlakozóba. Indítsa be a motort, és a fedélzeti kamera automatikusan bekapcsol.

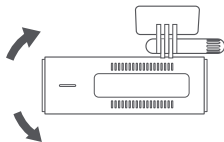
Megjegyzések:

- A töltőkábel elrejtéséhez (szélvédő széle, A-oszlop tömítése stb.) használja a mellékelt szétválasztó szerszámot.
- A járműtől függően előfordulhat, hogy a tápcsatlakozó más helyen található. A mellékelt ábra csak tájékoztató jellegű.



6. A kamera szögének beállítása

A 70mai appban csatlakoztassa a fedélzeti kamerát és lépjen a fedélzeti kamera kezdőoldalára. A telefonon látható élőképet használva állítsa be a kamera szögét.



Gombfunkciók

Fedélzeti kamera állapota	Művelet	Funkció
Kikapcsolva (a fedélzeti kamerának a tápellátásra kell csatlakoznia)	Egyszeri megnyomás	A készülék bekapcsolása
Bekapcsolva	Megnyomás és lenyomva tartás kb. 3 másodpercig	A készülék kikapcsolása
	Egyszeri megnyomás	A Wi-Fi be-/kikapcsolása
	Megnyomás 4-szer egymás után	A memóriakártya formázása
	Megnyomás 5-ször egymás után	A gyári beállítások visszaállítása
Csatlakozáskérés fogadása a telefonról	Megnyomás és lenyomva tartás kb. 15 másodpercig	A készülék kényszerített újraindítása
	Egyszeri megnyomás	A csatlakozás engedélyezésének megerősítése

Kapcsolódás a 70mai alkalmazáshoz

A készüléket a 70mai alkalmazással együtt kell használni. A kamerát a következő lépések szerint csatlakoztassa az alkalmazáshoz.

1. A QR-kódot beolvasva tölts le és telepítse az alkalmazást. Vagy az alkalmazás-áruházban keresse meg, tölts le és telepítse a 70mai alkalmazást.



Olvassa be az alkalmazás letöltéséhez.

2. Nyissa meg az alkalmazást, az eszközök oldalán koppintson a „+” jelre, keresse meg a fedélzeti kamera típusát és koppintson a kamera képére.
3. Kapcsolja be a fedélzeti kamerát és engedélyezze a Wi-Fi elérési pontot. A telefon beállításaiiban a képernyőn megjelenő utasításokat követve csatlakoztassa a telefont a fedélzeti kamera elérési pontjára.
4. A sikeres csatlakozás után térjen vissza a 70mai alkalmazásba. Az eszközök lapon csatlakozzon a fedélzeti kamerára és lépjen a kamera kezdőoldalára. A telefonon az élőkép jelenik meg és el lehet végezni a fedélzeti kamera beállításait.

Megjegyzés: a fedélzeti kamera Wi-Fi elérési pontjához Android 5.0 és iOS 11.0 (vagy újabb) operációs rendszerű okostelefonnal lehet csatlakozni.

Ha az alkalmazáshoz csatlakozással kapcsolatban további segítségre van szüksége, kérjük, olvassa be az alábbi QR-kódot az oktatóvideó megtekintéséhez.



Olvassa be a videó megtekintéséhez

A Wi-Fi elérési pont adatai a következők:

Elérési pont neve: 70mai_M310_XXXX (az elérési pont nevét az eszközön elhelyezett címkén találja).

Alapértelmezett jelszó: 12345678

Hangvezérlés

A fedélzeti kamera támogatja a hangvezérlést. Amikor a fedélzeti kamera működik, a megfelelő funkciókat beszédparancsokkal lehet indítani.

Ha a fedélzeti kamera nyelvének beállítása tradicionális kínai, akkor mandarin nyelvű hangparancsok használhatók. Bármilyen más beállított nyelv esetén csak angol nyelvű hangparancsok használhatók. A hangparancsok a következők:

Hangparancs	Funkció
Take photo	A fedélzeti kamera fényképet készít, és az albumba menti.
Lock the video	A fedélzeti kamera vészhelyzeti videót készít, és a vészhelyzeti videókönyvtárba menti.
Turn on audio	A fedélzeti kamera hangot is rögzít, nem csak képet.
Turn off audio	A fedélzeti kamera hangot nem, csak képet rögzít.
Turn on hotspot	A fedélzeti kamera elérési pontja bekapcsolódik.
Turn off hotspot	A fedélzeti kamera elérési pontja kikapcsolódik.

Megjegyzés: amikor a fedélzeti kamera a 70mai alkalmazáshoz van csatlakoztatva, a hangvezérlés nem támogatott.

Műszaki adatok

Termék: Dash Cam

Modell: M310

Bemenet: 5 V \pm 2 A

Akkumulátor kapacitása: 300 mAh

Felbontás: 2304 \times 1296

Objektív: FOV 130°/ F2.0

Akkumulátor típusa: lítium-ion akkumulátor

Tápellátás: autó szivargyújtó

A készülék méretei: 100,3 \times 52,5 \times 36,1 mm

Vezeték nélküli kommunikáció: Wi-Fi IEEE 802.11 b/g/n 2,4 GHz

Wi-Fi üzemi frekvencia: 2400–2483,5 MHz

Maximális kimeneti teljesítmény, Wi-Fi: < 20 dBm

Óvintézkedések

A helyes és biztonságos használat érdekében a kamera használata előtt olvassa el a használati útmutatót és az összes óvintézkedést.

- A fedélzeti kamera egy vezetési segédeszköz, amelyet arra terveztek, hogy külső felvételeket készítsen a járműből. Nem garantálja a felhasználó járművezetési biztonságát. A felhasználóknak be kell tartaniuk a helyi közlekedési szabályokat, és mindig oda kell figyelniük rá, hogy biztonságosan vezessenek. Ne üzemeltesse a terméket vezetés közben.
- A gépjármű állapota, a vezetési stílus, a vezetési környezet és egyéb tényezők közötti különbségek miatt előfordulhat, hogy egyes funkciók nem fognak megfelelően működni. A tápfeszültség kimaradása, a kamera megengedett hőmérséklet- vagy páratartalom-tartományon kívüli használata, karambol vagy sérült memóriakártya esetén előfordulhat, hogy a kamera nem rendeltetésszerűen működik. Nincs rá garancia, hogy a kamera minden körülmények között megfelelően fog működni. A kamera által készített videók csak hivatkozási alapként használhatók.
- Megfelelően szerelje fel a kamerát, úgy, hogy az ne akadályozza a vezető kilátását és a légzsák működését, és a légzsák működésekor ne mehessen tönkre, illetve ne okozhasson személyi sérülést.
- Ha az első szélvédőt, amelyre a fedélzeti kamera fel van szerelve, színes autófólia borítja, az hatással lehet a videófelvétel minőségére, vagy torzítást okozhat. Ha az első szélvédőn fémtartalmú fólia van, akkor az a beépített GPS-modullal ellátott fedélzeti kamera esetén ronthatja a GPS-jel minőségét.
- Ne tegye ki a kamerát ütésnek vagy erős rázkódásnak, mivel ezek a termék meghibásodását okozhatják. A fedélzeti kamerát tartsa távol az erős mágneses mezőktől.
- A kamera lemosásához ne használjon kémiai oldószert vagy tisztítószert.
- A kamerát ne használja 60 °C-nál nagyobb, illetve -10 °C-nál kisebb környezeti hőmérsékleten.
- Hosszabb üzemeltetés után a kamera külső borítása kissé felmelegedhet, ezért kérjük, óvatosan érintse meg.
- A kamerát csak a törvényben megengedett módon használja.

Biztonsági tájékoztató

- Csak a mellékelt töltőadaptert, tápkábelt és más tartozékokat használja, mert más, a kamerával nem kompatibilis termékek használata a kamera meghibásodását okozhatja. A nem eredeti autós töltő és töltőkábel használatából eredő semmilyen kárért vagy kártételért semmilyen felelősséget sem vállalunk.
- Ha hálózati adaptert használ a kamera töltéséhez, csak a helyi biztonsági előírásoknak megfelelő, vagy minősített gyártók által tanúsított és forgalmazott hálózati adaptert használjon.
- Az akkumulátort ne dobja tűzbe vagy forró kályhába, ne préselje össze és ne vágja fel, mert ez robbanást

okozhat.

- Ha az akkumulátort szélsőségesen meleg helyen hagyja, akkor az felrobbanhat, vagy gyúlékony folyadék szivároghat belőle.
- Ha az akkumulátort szélsőségesen alacsony légnyomású helyen hagyja, akkor az felrobbanhat, vagy gyúlékony folyadék szivároghat belőle.
- A fedélzeti kamerában beépített akkumulátor van, amelyet nem lehet eltávolítani vagy cserélni. Ne szerelje szét vagy módosítsa az akkumulátort.
- Helytelen típusú akkumulátor beszerelése kiiktathatja a védelmet (például egyes típusú lítium-akkumulátorok esetén).
- A kamera és tartozékai apró alkatrészeket tartalmazhatnak. A fulladás és az egyéb veszélyek, illetve a gyermekek által okozott károk elkerülése érdekében a kamera a gyermekektől elzárva tartandó.

Memóriakártyával kapcsolatos előírások

- Használat előtt memóriakártyát (külön megvásárolható) kell helyezni a fedélzeti kamerába.
- A fedélzeti kamera szabványos microSD kártyát használ. Kérjük, hogy 16 GB és 256 GB közötti kapacitású, Class 10, U1 vagy jobb besorolású memóriakártyát használjon.
- Előfordulhat, hogy a memóriakártya eredeti formázása nem felel meg a fedélzeti kamera formátumának. Az első behelyezés után a fedélzeti kamerában formázza meg a memóriakártyát. A memóriakártya formázása minden fájlt töröl a kártyáról. Ezért a formázás előtt minden fontos fájlt mentsen el egy másik eszközre.
- Sokszori felülírás után a memóriakártya megrongálódhat vagy romolhat az állapota, ez pedig befolyásolhatja a képek és videók tárolási képességét. Ilyen esetben azonnal cserélje ki új memóriakártyára.
- Kérjük, csak megbízható eladótól és csak kiváló minőségű memóriakártyát vásároljon. Rossz minőségű memóriakártya esetén előfordulhat, hogy a tényleges írási/olvasási sebesség, illetve a tárolási kapacitás nem felel meg a feltüntetett értéknek. A videófelvételek rossz minőségű memóriakártya miatti elvesztéséért vagy megrongálódásáért semmiféle felelősséget sem vállalunk.
- A fedélzeti kamera bekapcsolt állapotában ne vegye ki és ne helyezze be a memóriakártyát.

Törvényi megfeleléségi információ

WEEE információ



Az ezzel a szimbólummal jelölt termékek elektromos és elektronikus hulladékok (WEEE, a 2012/19/EU irányvonalnak megfelelően), amelyeket nem szabad a nem szelektív háztartási hulladékban elhelyezni. Ezeket az emberi egészség és a környezet védelmében a kormány vagy a helyi hatóságok által kijelölt gyűjtőpontokon kell leadni az elektromos és elektronikus hulladék újrahasznosítása céljából. A helyes hulladékkezelés és újrahasznosítás segít az emberi egészségre és a környezetre gyakorolt lehetséges negatív hatások megelőzésében. Kérjük, az ilyen gyűjtőhelyekről és szolgáltatási feltételelekről érdeklődjön a telepítőnél, vagy a helyi hatóságoknál.

EU megfeleléségi nyilatkozat



A gyártó ezennel kijelenti, hogy ez a berendezés megfelel a vonatkozó európai szabványok és irányvonalak, valamint azok kiegészítései előírásainak. Az EU megfeleléségi nyilatkozat teljes szövege a következő weboldalon olvasható el: <https://help.70mai.asia/1193.html>

Ügyfélszolgálat: help@70mai.com

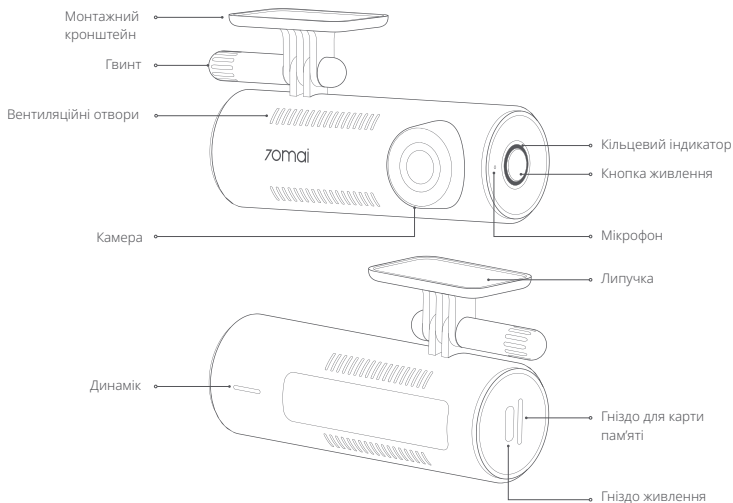
További információk: www.70mai.com

Gyártó: 70mai Co., Ltd.

Cím: Room 2220, Building 2, No. 588 Zixing Road, Minhang District, Sanghaj, Kína

Огляд пристрою

Уважно прочитайте цей посібник перед використанням пристрою та зберігайте його в безпечному місці.



Вміст коробки

1. Відеореєстратор, 1 шт.
2. Кабель живлення, 1 шт.
3. Автомобільний зарядний пристрій, 1 шт.
4. Електростатична липучка, 2 шт.
5. Липучка, 1 шт.
6. Інструмент для обрізання дротів, 1 шт.
7. Посібник користувача, 1 шт.

Зауважте, що зображення пристрою, аксесуарів та інтерфейсу користувача наведено в посібнику виключно для прикладу. Виробник має право вдосконалювати пристрій, і тому його фактичний вигляд та функції можуть відрізнятися.

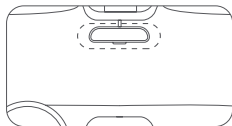
Встановлення

1. Приклеювання електростатичної наліпки

Розмістіть електростатичну наліпку на рекомендованій ділянці лобового скла. Притисніть наліпку для видалення повітряних бульбашок.

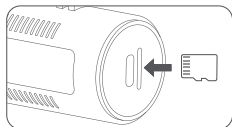
Уникайте країв лобового скла. Область для наклеювання має бути рівною і плоскою.

Примітка. Щоб наліпка не втратила клейкі властивості, а відеореєстратор не впаде, лобове скло має бути чистим і сухим, без залишків рідини.



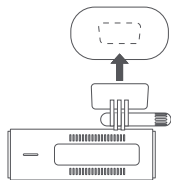
2. Встановлення карти пам'яті

Поверніть карту пам'яті контактами вліво, як показано на малюнку, і вставте її в гніздо для карти пам'яті.



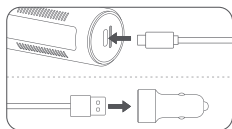
3. Прикріплення відеореєстратора

Приклейте відеореєстратор до електростатичної наліпки.



4. Підключення кабелю живлення

Підключіть кабель живлення до відеореєстратора й автомобільного зарядного пристрою.

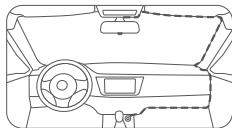


5. Прокладання кабелю

Прокладіть кабель живлення до автомобільної розетки та підключіть автомобільний зарядний пристрій до розетки. Запустіть двигун автомобіля; відеореєстратор увімкнеться автоматично.

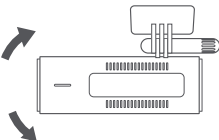
Примітки.

- За допомогою інструмента для обрізання дротів із комплексу постачання засуньте кабель живлення під обшивку автомобіля та гумовий ущільнювач на передній стійці.
- Місце розташування розетки залежить від моделі автомобіля. Малюнок наведено для прикладу.



6. Регулювання кута нахилу камери

Зв'яжіть відеореєстратор із додатком 70mai та відкрийте домашню сторінку відеореєстратора. Відрегулюйте кут нахилу камери, керуючись фактичним зображенням на екрані.



Функції кнопок

Стан відеореєстратора	Дія	Функція
Вимкнений (необхідно підключити відеореєстратор до джерела живлення)	Натиснути 1 раз	Увімкнення пристрою
Увімкнений	Натиснути і втримувати приблизно 3 секунди	Вимкнення пристрою
	Натиснути 1 раз	Увімкнення та вимкнення Wi-Fi
	Натиснути 4 рази підряд	Форматування карти пам'яті
	Натиснути 5 разів підряд	Відновлення заводських налаштувань
	Натиснути і втримувати приблизно 15 секунд	Примусовий перезапуск пристрою
Отримує запит на підключення від телефону	Натиснути 1 раз	Підтвердження дозволу на підключення

Підключення до додатка 70mai

Цей пристрій слід використовувати з додатком 70mai. Для підключення до додатка виконайте такі дії.

1. Відскануйте QR-код, щоб завантажити і встановити додаток. Або знайдіть 70mai в магазині додатків, щоб завантажити і встановити додаток.



Відскануйте, щоб завантажити додаток

2. Відкрийте додаток, натисніть «+» на сторінці пристроїв, знайдіть відповідний тип відеореєстратора й торкніть зображення відеореєстратора.
3. Увімкніть відеореєстратор і активуйте точку доступу Wi-Fi. Дотримуйтеся вказівок на екрані, щоб підключити точку доступу Wi-Fi відеореєстратора в налаштуваннях телефону.
4. Після підключення поверніться в додаток 70mai. На сторінці пристроїв підключіть відеореєстратор і відкрийте його домашню сторінку. Ви можете переглянути відео в реальному часі й налаштувати параметри відеореєстратора.

Зауважте, що для підключення до точки доступу Wi-Fi відеореєстратора потрібен мобільний телефон з операційною системою Android 5.0 або iOS 11.0 (чи новішої версії).

Якщо вам потрібна допомога з підключенням додатка, відскануйте наведений нижче QR-код, щоб переглянути навчальне відео.



Відскануйте, щоб переглянути відео

Інформація про точку доступу Wi-Fi:

Ім'я точки доступу: 70mai_M310_XXXX (точне ім'я вказано на етикетці на пристрої)

Пароль за умовчанням: 12345678

Голосове керування

Відеореєстратором можна керувати за допомогою голосових команд. Коли відеореєстратор увімкнений, голосові команди користувача ініціюють виконання відповідних функцій.

Якщо у відеореєстраторі вибрано мовлення на традиційній китайській мові підтримуються голосові команди на мандаринському діалекті китайської мови. Якщо вибрано будь-яку іншу мову, підтримуються лише голосові команди англійською мовою. Перелік голосових команд наведено нижче.

Голосова команда	Функція
Take photo	Відеореєстратор зробить фотознімок і збереже його в альбомі.
Lock the video	Відеореєстратор запише екстрене відео і збереже його в папці для екстрених відео.
Turn on audio	Відеореєстратор записуватиме відео зі звуком.
Turn off audio	Відеореєстратор записуватиме відео без звуку.
Turn on hotspot	Увімкнеться точка доступу Wi-Fi відеореєстратора.
Turn off hotspot	Точка доступу Wi-Fi відеореєстратора вимкнеться.

Зауважте: якщо відеореєстратор підключений до додатка 70mai, голосове керування не підтримується.

Технічні характеристики

Виріб: Dash Cam

Модель: M310

Вхідний струм: 5 В = 2 А

Ємність акумулятора: 300 мА·год

Роздільна здатність: 2304 × 1296

Об'єktiv: поле огляду 130°/F2.0

Тип акумулятора: літій-іонний

Живлення: автомобільний прикурювач

Розміри пристрою: 100,3 × 52,5 × 36,1 мм

Бездротове з'єднання: Wi-Fi IEEE 802.11b/g/n 2,4 ГГц

Робоча частота Wi-Fi: 2400-2483,5 МГц

Максимальна вихідна потужність Wi-Fi: < 20 дБм

Застереження

Щоб правильно й безпечно використовувати відеореєстратор, уважно прочитайте всі застереження та посібник користувача.

- Цей відеореєстратор допомагає водієві, записуючи зображення зовні транспортного засобу. Він не призначений для забезпечення безпеки користувача під час водіння. Користувач має дотримуватися місцевих правил дорожнього руху та безпечно керувати автомобілем за будь-яких обставин. Забороняється керувати цим виробом під час водіння.
- На роботу деяких функцій можуть впливати відмінності в конфігурації автомобіля, манера водіння, зовнішні умови й інші фактори. Перебої з живленням, використання за межами діапазону допустимої температури чи рівня вологості, зіткнення або пошкодження карти пам'яті можуть спричинити порушення в роботі відеореєстратора. Виробник не гарантує, що відеореєстратор нормально функціонуватиме за всіх умов. Відеозаписи з цього реєстратора носять виключно інформативний характер.
- Правильно встановлюйте відеореєстратор, щоб він не перекривав водієві поле зору та не блокував подушки безпеки. Це дасть змогу запобігти поломці пристрою та травмам.
- Наявність кольорової плівки на лобовому склі автомобіля, де встановлено реєстратор, може спричинити погіршення якості записаного відео та його спотворення. Наявність металевої плівки на лобовому склі автомобіля може спричинити погіршення якості сигналу GPS для відеореєстраторів із вбудованим модулем GPS.
- Бережіть відеореєстратор від ударів і струсів. Вони можуть спричинити несправність пристрою. Тримайте відеореєстратор на безпечній відстані від сильних магнітних полів.
- Не використовуйте хімічні розчинники й миючі засоби для миття відеореєстратора.
- Не використовуйте відеореєстратор за температури вище 60°C і нижче -10°C.
- Після тривалого використання корпус відеореєстратора може нагрітися. Будьте обережні, коли торкається до нього.
- Використовуйте відеореєстратор тільки в дозволених законом випадках.

Відомості з безпеки

- Щоб уникнути поломки пристрою через несумісність компонентів, використовуйте лише автомобільний зарядний пристрій, кабель живлення й інші аксесуари з комплекту постачання. Виробник не відповідає за збитки й пошкодження, спричинені використанням неоригінального автомобільного зарядного пристрою чи кабелю живлення.

- Використовуйте для заряджання відеореєстратора лише адаптери живлення, які відповідають місцевим стандартам безпеки чи були сертифіковані й надані кваліфікованим виробником.
- Не кидайте акумулятор у вогонь, не кладіть на гарячу плиту і не намагайтеся зруйнувати його механічним способом або розрізати. Це може призвести до вибуху.
- Не залишайте акумулятор у місцях із дуже високою температурою. Це може призвести до вибуху або витоку займистої рідини чи газу.
- Надзвичайно низький тиск повітря може спричинити вибух акумулятора або витік займистої рідини чи газу.
- Вбудований акумулятор пристрою неможливо витягнути чи замінити. Не намагайтеся власноруч розібрати або модифікувати акумулятор.
- Встановлення акумулятора невідповідного типу може призвести до порушення захисту (наприклад, у випадку з літєвими акумуляторами певних типів).
- Відеореєстратор і його аксесуари можуть містити дрібні деталі. Тримайте відеореєстратор у недоступному для дітей місці, щоб вони не проковтнули такі деталі та не завдали іншої шкоди собі чи пристрою.

Інструкції щодо карти пам'яті

- Обов'язково встановіть карту пам'яті (продається окремо), перш ніж почати користуватися відеореєстратором.
- Відеореєстратор підтримує стандартні карти microSD. Використовуйте карти пам'яті ємністю 16-256 ГБ, які мають клас 10, U1 або вище.
- Стандартний формат розділення файлів карти пам'яті може не збігатися з форматом, який підтримує відеореєстратор. Уперше вставивши карту пам'яті, перед використанням відформатуйте її у відеореєстраторі. Форматування призведе до видалення всіх файлів на карті пам'яті. Радимо заздалегідь створити резервну копію важливих даних на іншому пристрої.
- Багаторазові цикли перезаписування можуть призвести до пошкодження чи псування карти пам'яті, що може вплинути на її здатність зберігати файли відео та зображень. У такому разі слід негайно замінити карту пам'яті на нову.
- Використовуйте якісні карти пам'яті, придбані в надійних постачальників. У разі використання неякісних карт пам'яті можуть виникати проблеми, як-от невідповідність фактичного обсягу пам'яті та швидкості читання/записування заявленим значенням. Ми не відповідаємо за втрату або пошкодження відеозаписів через використання неякісної карти пам'яті.
- Не вставляйте та не виймайте карту пам'яті, коли відеореєстратор увімкнено.

Інформація про відповідність вимогам

Інформація щодо WEEE



Усі продукти, позначені цим символом, вважаються відходами електричного та електронного обладнання (WEEE відповідно до директиви 2012/19/EU), які слід утилізувати окремо від несортованих побутових відходів.

Щоб захистити здоров'я людей і навколишнє середовище, потрібно здавати непрацююче обладнання до спеціалізованих пунктів збору, визначених державними або місцевими органами влади, для подальшої переробки. Правильна утилізація та переробка допоможуть запобігти негативним наслідкам для навколишнього середовища та здоров'я людей. За додатковою інформацією про розташування та умови роботи подібних пунктів збору звертайтеся до компанії, яка виконала встановлення, або до місцевих органів влади.

Декларація відповідності для ЄС



Виробник заявляє, що це обладнання відповідає застосовним директивам, європейським стандартам і поправкам до них. Повний текст заяви для ЄС про відповідність наведено в Інтернеті за такою адресою: <https://help.70mai.asia/1193.html>

Довідкова служба: help@70mai.com

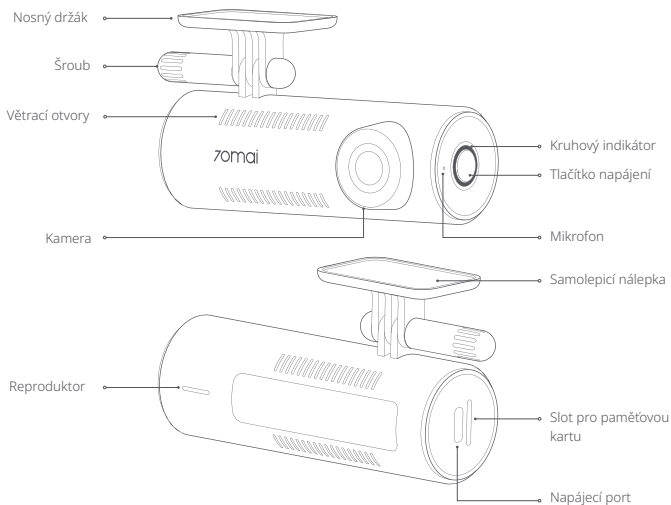
Додаткова інформація: www.70mai.com

Виробник: 70mai Co., Ltd.

Адреса: Room 2220, Building 2, No. 588 Zixing Road, Minhang District, Shanghai, China

Přehled výrobku

Před použitím výrobku si pečlivě přečtěte tento návod a uschovejte jej na bezpečném místě.



Obsah balení

- | | | |
|--------------------------|--------------------------------|-----------------------------|
| 1. Palubní kamera × 1 | 4. Elektrostatická nálepka × 2 | 6. Páčidlo × 1 |
| 2. Napájecí kabel × 1 | 5. Samolepicí nálepka × 1 | 7. Uživatelská příručka × 1 |
| 3. Nabíječka do auta × 1 | | |

Poznámka: Vyobrazení výrobku, příslušenství a uživatelského rozhraní v uživatelské příručce jsou pouze orientační. Kvůli průběžnému vylepšování výrobku se skutečný výrobek a funkce mohou lišit.

Instalace

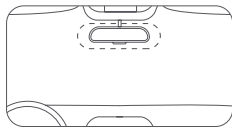
1. Instalace elektrostatické nálepky

Nalepte elektrostatickou nálepku na doporučené místo na čelním skle.

Zatlačením na nálepku vytlačte vzduchové bublinky.

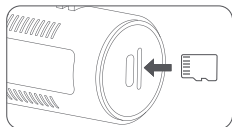
Vyhňte se okrajům čelního skla a pro instalaci vyberte rovnou a hladkou plochu.

Poznámka: Udržujte čelní sklo čisté a suché, aby nálepka neztratila přilnavost a palubní kamera nepadla.



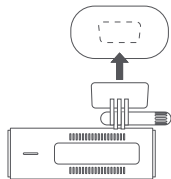
2. Vložení paměťové karty

Vložte paměťovou kartu do slotu tak, aby její kontakty směřovaly doleva, jak je vidět na obrázku.



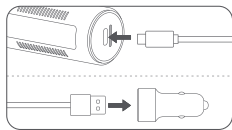
3. Montáž palubní kamery

Přilepte palubní kameru na elektrostatickou nálepku.



4. Připojení napájecího kabelu

Připojte palubní kameru k nabíječce do auta pomocí napájecího kabelu.

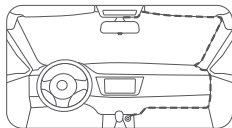


5. Vedení kabelu

Přiveďte napájecí kabel k napájecí zásuvce vozidla a zapojte nabíječku do auta do zásuvky. Nastartujte motor vozidla a palubní kamera se automaticky zapne.

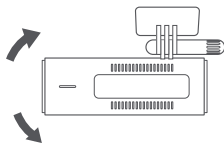
Poznámky:

- Pomocí přiloženého páčidla schovejte napájecí kabel pod stropní čalounění vozidla a gumové těsnění podél A-sloupku.
- V závislosti na vozidle se může napájecí zásuvka nacházet na jiném místě. Uvedený obrázek je pouze orientační.



6. Nastavení úhlu kamery

Propojte palubní kameru s aplikací 70mai a otevřete hlavní stránku palubní kamery. Nastavte úhel kamery podle zobrazení v reálném čase.



Funkce tlačítka

Stav palubní kamery	Operace	Funkce
Vypnuto (palubní kamera by měla být připojena ke zdroji napájení)	Stiskněte jednou	Zapnutí zařízení
Zapnuto	Stiskněte a podržte po dobu přibližně 3 sekund	Vypnutí zařízení
	Stiskněte jednou	Zapnutí/vypnutí Wi-Fi
	Stiskněte 4krát za sebou	Naformátování paměťové karty
	Stiskněte 5krát za sebou	Obnovení továrního nastavení
Stiskněte a podržte po dobu přibližně 15 sekund	Vynucené restartování zařízení	
Přijímání požadavku na připojení z telefonu	Stiskněte jednou	Potvrzení autorizace připojení

Propojení s aplikací 70mai

Tento produkt je třeba používat spolu s aplikací 70mai. S aplikací jej můžete propojit následujícím způsobem.

1. Naskenováním QR kódu stáhněte a nainstalujte aplikaci. Nebo v obchodě aplikací vyhledejte „70mai“ a aplikaci stáhněte a nainstalujte.



Naskenováním můžete stáhnout aplikaci

2. Otevřete aplikaci, klepněte na „+“ na stránce zařízení, najděte správný typ palubní kamery a klepněte na obrázek palubní kamery.
3. Zapněte palubní kameru a zapněte Wi-Fi hotspot. V nastavení telefonu se podle zobrazených pokynů připojte k Wi-Fi hotspotu palubní kamery.
4. Po úspěšném připojení se vraťte do aplikace 70mai. Na stránce zařízení se připojte k palubní kameře a otevřete hlavní stránku palubní kamery. Můžete sledovat živý obraz a nakonfigurovat nastavení palubní kamery.

Poznámka: Pro připojení mobilního telefonu k Wi-Fi hotspotu palubní kamery je vyžadován systém Android 5.0 nebo iOS 11.0 nebo novější.

Pokud potřebujete další pomoc s připojením aplikace, naskenujte QR kód níže a podívejte se na instruktážní video.



Naskenováním se můžete podívat na video

Informace o Wi-Fi hotspotu:

Název hotspotu: 70mai_M310_XXXX (Název hotspotu naleznete na štítku na výrobku.)

Výchozí heslo: 12345678

Ovládání hlasem

Palubní kamera podporuje ovládání hlasem. Když je palubní kamera zapnutá, hlasové příkazy od uživatele spustí příslušné funkce.

Pokud je jazyk vysílání palubní kamery nastaven na tradiční čínštinu, jsou podporovány hlasové příkazy v mandarínštině. Pokud je nastaven jiný jazyk, jsou podporovány pouze anglické hlasové příkazy. Hlasové příkazy jsou následující:

Hlasový příkaz	Funkce
Take photo	Palubní kamera pořídí fotografii a uloží ji do alba.
Lock the video	Palubní kamera zaznamená nouzový videozáznam a uloží jej do adresáře nouzových videozáznamů.
Turn on audio	Palubní kamera zaznamená spolu s videem i zvuk.
Turn off audio	Palubní kamera nezaznamená zvuk, ale pouze videa.
Turn on hotspot	Wi-Fi hotspot palubní kamery se zapne.
Turn off hotspot	Wi-Fi hotspot palubní kamery se vypne.

Poznámka: Když je palubní kamera připojena k aplikaci 70mai, hlasové příkazy nejsou podporovány.

Technické údaje

Výrobek: Dash Cam

Model: M310

Příkon: 5 V \Rightarrow 2 A

Kapacita baterie: 300 mAh

Rozlišení: 2304 × 1296

Objektiv: Zorné pole 130° / F2.0

Typ baterie: Li-ion baterie

Napájení: Autozásuvka

Rozměry: 100,3 × 52,5 × 36,1 mm

Bezdrátové připojení: Wi-Fi IEEE 802.11b/g/n 2,4 GHz

Provozní frekvence Wi-Fi: 2 400–2 483,5 MHz

Maximální výkon Wi-Fi: < 20 dBm

Bezpečnostní opatření

Před použitím této palubní kamery si přečtěte všechna bezpečnostní opatření a uživatelskou příručku, abyste kameru používali správně a bezpečně.

- Tato palubní kamera pomáhá zaznamenat okolí vozidla. Její funkcí není zajistit bezpečnost uživatele při jízdě. Uživatelé se musí řídit místními dopravními předpisy a pravidly a především upřednostnit bezpečnou jízdu. Neovládejte tento výrobek při řízení.
- Vzhledem k rozdílným podmínkám ve vozidle, stylu jízdy, okolnímu prostředí a dalším faktorům nemusí některé funkce fungovat správně. Výpadek napájení, používání v prostředí mimo běžný rozsah provozní teploty nebo vlhkosti, kolize nebo poškozená paměťová karta mohou způsobit, že palubní kamera nebude fungovat normálně. Neexistuje žádná záruka, že tato palubní kamera bude fungovat normálně za všech okolností. Vídea nahraná touto palubní kamerou jsou pouze orientační.
- Nainstalujte tuto palubní kameru správně a neblokuje zorné pole řidiče ani airbag vozidla, abyste předešli selhání výrobku nebo zranění osob.
- Pokud je čelní sklo, kde je palubní kamera nainstalovaná, překryté barevnou fólií, může to mít negativní vliv na kvalitu obrazu nahraného videa nebo může být obraz zkreslený. Pokud je na čelním skle kovová fólie, může se u palubních kamer s vestavěným modulem GPS zhoršit kvalita signálu GPS.
- Chraňte palubní kameru před nárazy a silnými otřesy, jinak může dojít k poruše výrobku. Uchovávejte tuto palubní kameru mimo dosah silných magnetických polí.
- Nikdy palubní kameru nečistěte rozpouštědly ani čisticími prostředky.
- Nepoužívejte tuto palubní kameru v prostředí s teplotami nad 60 °C nebo pod -10 °C.
- Po určité době provozu palubní kamery se zvýší teplota jejího vnějšího pouzdra – buďte opatrní, když se ho budete dotýkat.
- Používejte tuto palubní kameru pouze v rozsahu povoleném zákonem.

Bezpečnostní informace

- Použijte přiloženou nabíječku do auta, napájecí kabel a další příslušenství, abyste předešli selhání výrobku kvůli nekompatibilitě. Neneseme odpovědnost za ztráty ani škody způsobené použitím neoriginální nabíječky do auta nebo napájecího kabelu.
- Pokud nabijete palubní kameru pomocí napájecího adaptéru, použijte pouze napájecí adaptéry, které splňují místní bezpečnostní normy nebo které jsou certifikované a dodávané důvěryhodnými výrobci.
- Vhození baterie do ohně, vložení do horké trouby, její rozmáčknutí nebo rozříznutí může vést k výbuchu.

- Pokud je baterie ponechána v prostředí s velmi vysokou okolní teplotou, může dojít k výbuchu nebo úniku hořlavé kapaliny nebo plynu.
- Pokud je baterie vystavená velmi nízkému atmosferickému tlaku, může dojít k výbuchu nebo úniku hořlavé kapaliny nebo plynu.
- Palubní kamera je vybavena vestavěnou baterií, kterou nelze vyjmout ani vyměnit. Baterii sami nerozebírejte ani neopravujte.
- Výměna baterie za nesprávný typ může způsobit, že nebude fungovat zabezpečení (například v případě některých typů lithiových baterií).
- Palubní kamera a její příslušenství mohou obsahovat malé díly. Uchovávejte palubní kameru mimo dosah dětí, abyste se vyhnuli riziku udušení při spolknutí malých dílů a dalším rizikům nebo škodám.

Pokyny pro paměťovou kartu

- Před použitím je třeba do palubní kamery vložit paměťovou kartu (prodává se samostatně).
- Palubní kamera podporuje standardní karty microSD. Používejte paměťové karty s kapacitou 16 GB – 256 GB a rychlostí Class 10, U1 nebo vyšší.
- Původní formát systému souborů paměťové karty nemusí být podporovaný palubní kamerou. Pokud paměťovou kartu vkládáte poprvé, před použitím ji naformátujte v palubní kameře. Při formátování paměťové karty budou odstraněny všechny soubory na kartě. Důležitá data si předem zálohujte v jiném zařízení.
- Paměťová karta se může opakovaným přepisováním poškodit nebo se mohou zhoršit její vlastnosti. To může ovlivnit její schopnost ukládat soubory s videem a obrázky. V takovém případě okamžitě vyměňte paměťovou kartu za novou.
- Použijte kvalitní paměťovou kartu zakoupenou u renomovaného prodejce. U méně kvalitních paměťových karet se mohou objevit problémy, například skutečná rychlost čtení/zápisu nemusí odpovídat uvedeným rychlostem a skutečná kapacita úložiště nemusí odpovídat uvedené kapacitě. Neneseme odpovědnost za ztracená nebo poškozená videa v důsledku použití nekvalitní paměťové karty.
- Nevkládejte ani nevyjímejte paměťovou kartu, když je palubní kamera zapnutá.

Informace o shodě s předpisy

Informace o OEEZ



Všechny výrobky označené tímto symbolem jsou odpadní elektrická a elektronická zařízení (OEEZ, jak je uvedeno ve směrnici 2012/19/EU), která by neměla být mísená s netříděným domovním odpadem. Místo toho byste měli chránit lidské zdraví a životní prostředí odevzdáním zařízení na sběrném místě, které je určeno k recyklaci odpadních elektrických a elektronických zařízení a stanoveno vládou nebo místními úřady. Správná likvidace a recyklace pomohou zabránit potenciálním negativním dopadům na životní prostředí a lidské zdraví. Více informací o umístění a podmínkách těchto sběrných míst se dozvíte od montážního technika nebo místních úřadů.

EU – Prohlášení o shodě



Výrobce tímto prohlašuje, že je toto zařízení v souladu s příslušnými evropskými směrnici a normami a jejich úpravami. Úplné znění prohlášení o shodě pro EU je k dispozici na následující internetové adrese:
<https://help.70mai.asia/1193.html>

Servis: help@70mai.com

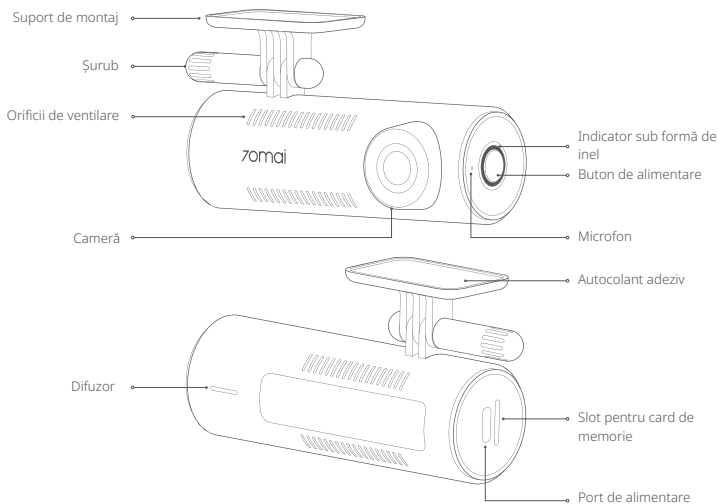
Další informace naleznete na adrese www.70mai.com

Výrobce: 70mai Co., Ltd.

Adresa: Room 2220, Building 2, No. 588 Zixing Road, Minhang District, Šanghaj, Čína

Prezentarea generală a produsului

Vă rugăm să citiți cu atenție acest manual înainte de a utiliza produsul și să păstrați manualul într-un loc sigur.



Conținutul pachetului

- | | | |
|------------------------------|---------------------------------|------------------------------------------|
| 1. Cameră de bord × 1 | 4. Autocolant electrostatic × 2 | 6. Instrument pentru mascare cabluri × 1 |
| 2. Cablu de alimentare × 1 | 5. Autocolant adeziv × 1 | 7. Manual de utilizare × 1 |
| 3. Încărcător de vehicul × 1 | | |

Notă: Ilustrațiile produsului, accesoriile și interfața pentru utilizator din manualul de utilizare au rol numai de referință. Funcțiile și produsul efectiv pot varia datorită îmbunătățirilor aduse produsului.

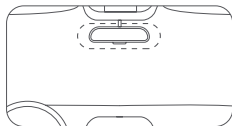
Montarea

1. Montarea autocolantului electrostatic

Lipiți autocolantul electrostatic pe zona recomandată de pe parbriz. Apăsăți autocolantul pentru a elimina bulele de aer.

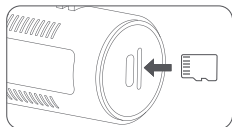
Evitați marginea parbrizului și alegeți o zonă dreaptă și netedă pentru montare.

Notă: Păstrați parbrizul curat și uscat, fără reziduuri lichide, pentru a preveni ca autocolantul să piardă din aderență și camera de bord să cadă.



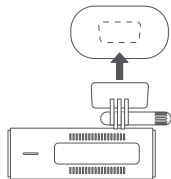
2. Instalarea cardului de memorie

Introduceți cardul de memorie în slotul pentru card cu partea contactelor orientată spre stânga, astfel cum este ilustrat în imagine.



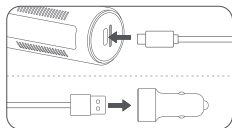
3. Montarea camerei de bord

Lipiți camera de bord pe autocolantul electrostatic.



4. Conectarea cablului de alimentare

Conectați camera de bord și încărcătorul de vehicul cu cablul de alimentare.

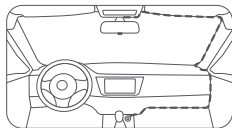


5. Instalarea cablului

Dirijați cablul de alimentare spre priza de alimentare a vehiculului și conectați încărcătorul de vehicul la priza de alimentare. Porniți motorul vehiculului, iar camera de bord va porni automat.

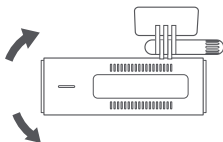
Note:

- Utilizați instrumentul pentru mascare cabluri furnizat pentru a ascunde cablul de alimentare sub tapițeria plafonului și etanșarea din cauciuc de-a lungul stâlpului A.
- În funcție de autovehicul, priza electrică poate fi localizată într-o poziție diferită. Imaginea furnizată este doar pentru referință.



6. Reglarea unghiului camerei

Conectați camera de bord la aplicația 70mai și introduceți pagina principală a camerei de bord. Reglați unghiul camerei în funcție de ecranul de imaginea în timp real de pe ecran.



Funcțiile butonului

Starea camerei de bord	Operarea	Funcție
Oprit (Camera de bord ar trebui conectată la sursa de alimentare)	Apăsăți o dată	Porniți dispozitivul
Pornit	Țineți apăsat timp de aproximativ 3 secunde	Opriti dispozitivul
	Apăsăți o dată	Wi Fi pornit/oprit
	Apăsăți de patru ori consecutiv	Formatați cardul de memorie
	Apăsăți de cinci ori consecutiv	Resetați la valorile din fabrică
	Țineți apăsat timp de aproximativ 15 secunde	Forțați repornirea dispozitivului
Primirea solicitării de conectare de la telefon	Apăsăți o dată	Confirmați autorizația de conectare

Conectarea cu aplicația 70mai

Acest produs trebuie utilizat împreună cu aplicația 70mai. Urmăți pașii de mai jos pentru a-l conecta la aplicație.

1. Scanați codul QR pentru a descărca și a instala aplicația. Sau căutați „70mai” în magazinul de aplicații pentru a-l descărca și instala.



Scanați pentru a descărca aplicația

2. Deschideți aplicația, atingeți „+” în pagina dispozitivului, găsiți tipul de camera de bord corespunzător și atingeți imaginea camerei de bord.
3. Porniți camera de bord și activați hotspotul Wi Fi. Urmăți instrucțiunile de pe ecran pentru a conecta hotspotul Wi Fi al camerei de bord în setările telefonului dumneavoastră.
4. Odată conectat cu succes, reveniți la aplicația 70mai. Pe pagina dispozitivului, conectați camera de bord și introduceți pagina principală a camerei de bord. Puteți vizualiza videoclipul în direct și puteți configura setările camerei de bord.

Notă: Sunt necesare Android 5.0 și iOS 11.0 sau mai recente pentru a conecta hotspotul Wi Fi al camerei de bord cu un telefon mobil.

Dacă aveți nevoie de ajutor suplimentar la conectarea aplicației, scanați codul QR de mai jos pentru a vedea videoclipul tutorial.



Scanați pentru a vizualiza videoclipul

Informațiile hotspotului Wi Fi sunt următoarele:

Nume hotspot: 70mai_M310_XXXX (Verificați eticheta de pe dispozitiv pentru numele hotspotului.)

Parolă implicită: 12345678

Control vocal

Camera de bord acceptă controlul vocal. Atunci când camera de bord funcționează, comenzile vocale ale utilizatorului vor declanșa funcțiile corespunzătoare.

Dacă limba afișajului camerei de bord este setată la chineza tradițională, sunt acceptate comenzile vocale în mandarină. Dacă este setată orice altă limbă, sunt acceptate doar comenzile vocale în limba engleză. Comenzile vocale sunt următoarele:

Comandă vocală	Funcție
Take photo	Camera de bord va realiza o fotografie și o va salva în album.
Lock the video	Camera de bord va înregistra un videoclip de urgență și îl va stoca în directorul cu videoclipuri de urgență.
Turn on audio	Camera de bord va înregistra audio, precum și videoclipuri.
Turn off audio	Camera de bord nu va înregistra audio, ci doar videoclipuri.
Turn on hotspot	Hotspotul Wi Fi al camerei de bord va porni.
Turn off hotspot	Hotspotul Wi Fi al camerei de bord se va opri.

Notă: Când camera de bord este conectată la aplicația 70mai, controlul vocal nu este acceptat.

Specificații

Produs: Dash Cam

Model: M310

Intrare: 5V = 2A

Capacitate baterie: 300mAh

Rezoluție: 2304 × 1296

Obiectiv: FOV 130°/ F2.0

Tipul bateriei: Baterie litiu-ion

Alimentarea cu energie electrică: Brichetă vehicul

Dimensiuni element: 100,3 × 52,5 × 36,1 mm

Conectivitate wireless: Wi Fi IEEE 802.11b/g/n 2,4GHz

Frecvența de funcționare Wi Fi: 2.400-2.483.5MHz

Putere maximă Wi Fi: < 20dBm

Măsuri de precauție

Înainte de a utiliza această cameră de bord, citiți toate măsurile de precauție și ghidul de utilizare pentru a asigura o utilizare corectă și sigură.

- Această cameră de bord este un sistem auxiliar pentru condus, conceput să înregistreze imagini din exteriorul autovehiculului. Și nu are funcția de a asigura siguranța la volan a utilizatorului. Utilizatorii trebuie să respecte regulile și reglementările locale de circulație și să prioritizeze siguranța la volan. Nu manevrați acest produs în timp ce conduceți.
- Ca urmare a diferențelor în ceea ce privește condițiile autovehiculului, stilul de conducere, mediul de conducere și alți factori, este posibil ca anumite funcții să nu funcționeze corect. Întreruperea alimentării, utilizarea în medii care nu se încadrează în intervalul de temperatură sau de umiditate pentru funcționare normală, o coliziune sau un card de memorie deteriorat pot cauza funcționarea anormală a camerei de bord. Nu există nicio garanție că această cameră de bord va funcționa normal în toate condițiile. Videoclipurile înregistrate de această cameră de bord sunt doar în scop de referință.
- Instalați corect această cameră de bord și nu blocați raza vizuală a șoferului sau airbagul autovehiculului, pentru a evita defectarea produsului sau vătămarea corporală.
- Dacă parbrizul pe care este instalată camera de bord este acoperit cu o folie auto colorată, acest lucru poate afecta calitatea înregistrării video sau poate cauza distorsiuni video. Dacă pe parbriz este aplicată o peliculă metalică, aceasta poate duce la o scădere a calității semnalului GPS pentru modelele de camera de bord echipate cu module GPS încorporate.
- Evitați coliziunile sau loviturile puternice ale camerei de bord, în caz contrar produsul poate funcționa defectuos. Păstrați această cameră de bord departe de câmpuri magnetice puternice.
- Nu utilizați niciodată solvenți chimici sau detergenți pentru a spăla camera de bord.
- Nu utilizați camera de bord în medii cu temperaturi de peste 60 °C sau sub -10 °C.
- Atunci când camera de bord funcționează o perioadă de timp, temperatura carcasei exterioare va crește, așa că fiți atenți când o atingeți.
- Utilizați această cameră de bord numai în limitele permise de lege.

Informații de siguranță

- Utilizați încărcătorul de vehicul, cablul de alimentare și celelalte accesorii furnizate, pentru a evita defectarea produsului din cauza neconformității. Nu suntem răspunzători pentru nicio pierdere sau daună cauzată de utilizarea unui încărcător de vehicul sau cablu de alimentare care nu este original.
- Dacă utilizați un adaptor de alimentare pentru a încărca camera de bord, utilizați numai adaptoare de

alimentare care respectă standardele locale de siguranță sau care sunt certificate și furnizate de producători calificați.

- Aruncarea unei baterii în foc sau într-un cuptor fierbinte sau zdrobirea sau tăierea mecanică a bateriei poate duce la o explozie.
- Expunerea bateriei la un mediu înconjurător cu temperatură extrem de ridicată poate duce la o explozie sau la scurgerea de lichid sau gaz inflamabil.
- Expunerea bateriei la o presiune a aerului extrem de scăzută poate duce la o explozie sau la scurgerea de lichid sau gaz inflamabil.
- Acest dispozitiv este echipat cu o baterie încorporată care nu poate fi îndepărtată sau înlocuită. Nu dezamblați sau modificați singur bateria.
- Înlocuirea unei baterii cu un tip incorect poate anula o garanție (de exemplu, în cazul unor tipuri de baterii cu litiu).
- Camera de bord și accesoriile sale pot conține piese mici. Pentru a evita sufocarea sau alte pericole ori daune cauzate de copii, țineți camera de bord departe de copii.

Instrucțiuni card de memorie

- Un card de memorie (vândut separat) trebuie instalat în camera de bord înainte de utilizare.
- Camera de bord acceptă carduri microSD standard. Utilizați carduri de memorie cu capacitate de 16 GB ~ 256 GB și o clasă de viteză de 10 U1 sau mai mare.
- Formatul implicit al partiției de fișiere al cardului de memorie poate fi incompatibil cu formatul acceptat de camera de bord. Atunci când introduceți cardul de memorie pentru prima dată, formatați-l în camera de bord înainte de utilizare. Formatarea cardului de memorie va șterge toate fișierele de pe card. Faceți o copie de rezervă a datelor importante pe un alt dispozitiv în prealabil.
- Cardul de memorie se poate strica sau deteriora după cicluri repetate de suprascriere, iar acest lucru poate afecta capacitatea sa de a salva fișiere video și imagine. Dacă se întâmplă acest lucru, înlocuiți-l imediat cu un card de memorie nou.
- Utilizați un card de memorie de înaltă calitate, achiziționat de la un furnizor de încredere. Cardurile de memorie inferioare pot avea probleme, cum ar fi vitezele reale de citire/scriere care nu se potrivesc cu vitezele declarate și o capacitate reală de stocare care nu se potrivește cu capacitatea de stocare declarată. Nu ne asumăm nicio răspundere pentru videoclipurile pierdute sau deteriorate cauzate de utilizarea unui card de memorie de calitate inferioară.
- Nu introduceți și nu scoateți un card de memorie în timp ce camera de bord este pornită.

Informații de conformitate cu reglementările

Informații DEEE



Toate produsele care poartă acest simbol reprezintă deșeuri de echipamente electrice și electronice (DEEE, conform Directivei 2012/19/UE), care nu trebuie amestecate cu deșeuri menajere nesortate. În schimb, trebuie să protejați sănătatea umană și mediul înconjurător prin predarea deșeurilor de echipamente la un punct de colectare desemnat pentru reciclarea deșeurilor de echipamente electrice și electronice, autorizat de către autoritățile guvernamentale sau locale. Casarea și reciclarea corecte contribuie la evitarea potențialelor consecințe negative asupra mediului înconjurător și a sănătății umane. Contactați instalatorul sau autoritățile locale pentru mai multe informații despre localizarea punctelor de colectare, precum și despre clauzele și condițiile acestora.

Declarație de conformitate UE



Prin prezenta, producătorul declară că acest echipament este conform cu directivele și normele europene aplicabile, precum și cu modificările acestora. Textul complet al declarației de conformitate UE este disponibil la următoarea adresă internet: <https://help.70mai.asia/1193.html>

Service: help@70mai.com

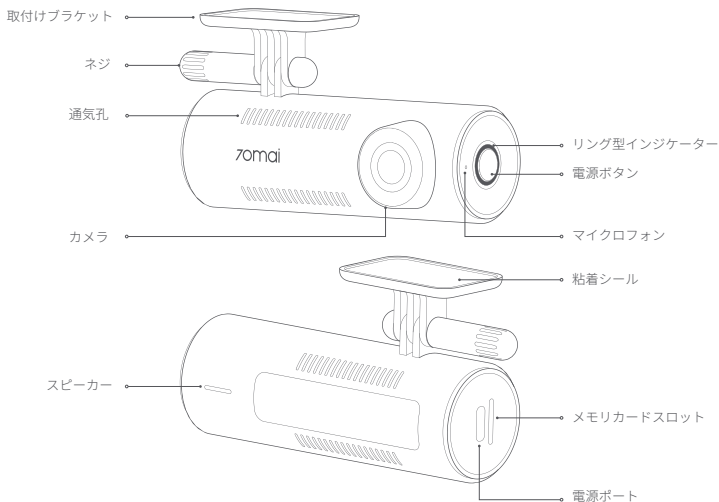
Pentru mai multe informații, accesați www.70mai.com

Producător: 70mai Co., Ltd.

Adresă: Room 2220, Building 2, No. 588 Zixing Road, Minhang District, Shanghai, China

製品概要

本製品を使用する前に、このマニュアルをよくお読みください。このマニュアルは大切に保管してください。



パッケージ内容

- | | | |
|-------------------|------------------|-------------------|
| 1. ドライブレコーダー (1個) | 4. 静電気防止シール (2枚) | 6. 配線トリム工具 (1個) |
| 2. 電源コード (1本) | 5. 粘着シール (1枚) | 7. ユーザーマニュアル (1冊) |
| 3. カーチャージャー (1個) | | |

ご注意:ユーザーマニュアルで使用されている製品、付属品、およびユーザーインターフェイスの図は参照のみを目的としています。製品の機能および仕様変更が行われた場合、実際の製品と機能および仕様が異なることがあります。

取付方法

1. 静電気防止シールの取り付け

フロントガラス上の推奨箇所に静電気防止シールを貼付します。シールを押し
て気泡を押し出します。

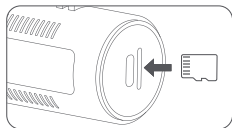
フロントガラス縁側を避けるようにして、平滑な部分に貼ります。

ご注意：シールの粘着力が低下してドライブレコーダーが剥がれ落ちることのないよう
に、フロントガラスは水滴が残らないように清潔で乾燥した状態を保ってください。



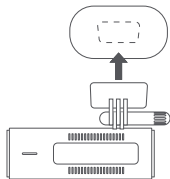
2. メモリカードの挿入

メモリーカードの接点面を左側にして、カードスロットに挿入します (図を
参照)。



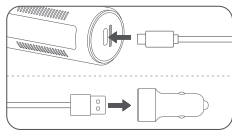
3. ドライブレコーダーの取り付け

静電気防止シールにドライブレコーダーを貼り付けます。



4. 電源コードの接続

ドライブレコーダーとカーチャージャーを電源コードで接続します。

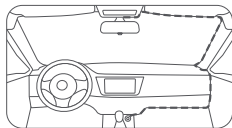


5. ケーブルの配線

電源コードを車両の電源コンセントまで引き回して、カーチャージャーを電源コンセントに差し込みます。エンジンを始動させると自動的にドライブレコーダーの電源がオンになります。

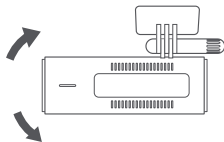
ご注意：

- ・ 付属の配線トリム工具を使用して、車両のヘッドライナーの下にある電源コードとAピラーのゴム製シールを隠します。
- ・ 車両によっては、電源コンセントの位置が別の位置にある場合があります。表示された画像は参考用です。



6. カメラ角度の調整

ドライブレコーダーを 70mai アプリに登録し、ドライブレコーダーのホームページを入力します。画面に映し出されるリアルタイムの映像をもとに、カメラの角度を調整します。



ボタン機能

ドライブレコーダーのステータス	操作	機能
電源オフ (ドライブレコーダーは電源に接続する必要があります)	1回押す	デバイスの電源がオンになります。
オン	約3秒間押し続ける	デバイスの電源がオフになります。
	1回押す	Wi-Fiのオン/オフが切り替わります。
	4回続けて押す	メモリーカードをフォーマットします。
	5回続けて押す	工場出荷時設定にリセットします。
	約15秒間押し続ける	デバイスを強制的に再起動します。
スマートフォンからの接続要求の受信	1回押す	アクセス許可を確認します。

70maiアプリとの接続

本製品は、70maiアプリと組み合わせてご使用ください。以下の手順に従って、アプリと接続してください。

1. QRコードをスキャンしてアプリをダウンロードしてインストールします。または、アプリストアで「70mai」を検索し、ダウンロードしてインストールします。



スキャンしてアプリをダウンロード

2. アプリを開き、デバイスページで「+」をタップし、対応するドライブレコーダーの種類を見つけ、ドライブレコーダーの画像をタップします。
3. ドライブレコーダーの電源を入れ、Wi-Fiホットスポットを有効にします。画面の指示に従って、お使いのスマートフォンの設定でドライブレコーダーのWi-Fiホットスポットに接続します。
4. 正常に接続したら、70maiアプリに戻ります。デバイスページで、ドライブレコーダーを接続し、ドライブレコーダーのホームページを入力します。ライブ動画の閲覧、ドライブレコーダーの設定の構成が行えます。

ご注意: スマートフォンをドライブレコーダーのWi-Fiホットスポットに接続するには、Android 5.0 及び iOS 11.0 以上が必要です。

アプリを接続する際にさらにサポートが必要な場合は、以下のQRコードをスキャンしてチュートリアル動画をご覧ください。



スキャンして動画を見る

Wi-Fiホットスポット情報は以下の通りです：

ホットスポット名：70mai_M310_XXXX (ホットスポット名はデバイスのラベルを確認してください)

デフォルトのパスワード：12345678

音声コントロール

ドライブレコーダーは音声コントロールに対応しています。ドライブレコーダーの動作中は、ユーザーからの音声コマンドにより、対応する機能が実行されます。

ドライブレコーダーの放送言語が繁体字中国語に設定されている場合、標準中国語の音声コマンドが対応されません。他の言語が設定されている場合は、英語の音声コマンドのみが対応されます。音声コマンドは次のとおりとなります。

音声コマンド	機能
Take photo	ドライブレコーダーは写真を撮り、それをアルバムに保存します。
Lock the video	ドライブレコーダーは緊急ビデオを録画し、緊急ビデオディレクトリに保存します。
Turn on audio	ドライブレコーダーは、ビデオの他にオーディオも録音します。
Turn off audio	ドライブレコーダーは音声を録音せず、ビデオのみを録音します。
Turn on hotspot	ドライブレコーダーのWi-Fiホットスポットがオンになります。
Turn off hotspot	ドライブレコーダーのWi-Fiホットスポットがオフになります。

ご注意:ドライブレコーダーが70maiアプリに接続されている場合、音声コントロールは対応していません。

仕様

製品: ドライブレコーダー

モデル: M310

入力: 5V \pm 2A

バッテリー容量: 300mAh

解像度: 2304 \times 1296

レンズ: FOV 130°/ F2.0

バッテリータイプ: リチウムイオンバッテリー

電源: 車用シガーライター

本体寸法: 100.3 \times 52.5 \times 36.1 mm

無線接続: Wi-Fi IEEE 802.11b/g/n 2.4GHz

Wi-Fi動作周波数: 2400~2483.5MHz

Wi-Fi最大出力: < 20dBm

注意事項

ドライブレコーダーをご使用になる前に、全ての注意事項とユーザーガイドを読み、正しく安全に使用できるようにしてください。

- 本ドライブレコーダーは、車両の外部映像を記録するための運転補助装置です。利用者の運転上の安全性を確保する機能はありません。利用者は、地域の交通ルールや規制を遵守し、安全運転を第一に心がける必要があります。運転中に本製品を操作しないでください。
- 車両の状態、運転方法、運転環境などの違いにより、一部の機能が正常に動作しない場合があります。停電、通常の作業温度または湿度範囲外の環境での使用、衝突、または破損したメモリカードにより、ドライブレコーダーの機能に異常が生じる可能性があります。本ドライブレコーダーが全ての状況で正常に機能するという保証はありません。本ドライブレコーダーが録画したビデオはあくまでも参考用としてご使用ください。
- 本製品の故障や事故を防ぐために、ドライブレコーダーを正しく取り付けるとともに、ドライバーの視界や車両のエアバッグを遮ることのないように注意してください。
- 色のついた自動車用フィルムが貼られているフロントガラスにドライブレコーダーが取り付けられている場合、録画品質に影響が出たり、映像が歪んだりすることがあります。GPSモジュールを内蔵したドライブレコーダーの場合、フロントガラスに金属フィルムを貼り付けるとGPS信号の品質が低下する可能性があります。
- 誤作動を避けるため、ドライブレコーダーに物をぶつけたり強い衝撃を与えないようにしてください。本ドライブレコーダーを強い磁場が発生している場所に近づけないようにしてください。
- ドライブレコーダーのお手入れの際に、化学溶剤や洗剤は決して使用しないでください。
- 60℃以上または-10℃以下の温度環境でドライブレコーダーを使用しないでください。
- 動作が一定の時間を経過すると本体外側が熱くなっている場合がありますので、触れる際にはご注意ください。
- このドライブレコーダーは、法律で許可されている範囲内で使用してください。

安全情報

- 不適合による製品の故障を防ぐために、付属するカーチャージャー、電源コード、およびその他のアクセサリを使用してください。当社は、純正品以外のカーチャージャーや電源コードの使用によって生じた損失や損害については、一切の責任を負いません。
- 電源アダプタを使用して本ドライブレコーダーを充電する場合、地域の安全基準に準拠しているか、認可を受けたメーカーから提供された電源アダプタのみを使用してください。
- バッテリーを火中や高温の炉の中に廃棄したり、バッテリーを機械的に押しつぶしたり切断したりすると、爆発する可能性があります。
- バッテリーを周囲温度が非常に高い環境に放置すると、爆発したり、可燃性液体やガスが漏れる可能性があります。
- バッテリーを極端に低い空気圧にさらすと、爆発したり、可燃性の液体やガスが漏れる可能性があります。
- 本デバイスに内蔵されているバッテリーは、取り外しや交換ができません。ご自身でバッテリーの分解や改造を行わない

てください。

- 不適切なタイプのバッテリーと交換すると、安全装置が無効になる可能性があります(例えば、一部のリチウムバッテリーの場合)。
- 本ドライブレコーダーおよび付属品には小さな部品が含まれている場合があります。誤飲による窒息や怪我などの危険を避けるため、本ドライブレコーダーはおお客様の手の届かないところに保管してください。

メモ리카ードの説明

- メモ리카ード(別売)はドライブレコーダーを使用する前に取り付ける必要があります。
- ドライブレコーダーは標準のMicroSDカードに対応しています。容量16GB~256GBおよび定格クラス10、U1以上のメモ리카ードを使用してください。
- メモ리카ードのデフォルトファイル形式は、ドライブレコーダーでサポートされている形式に一致しないことがあります。メモ리카ードを最初に挿入した後、使用する前にドライブレコーダーでメモ리카ードを初期化してください。メモ리카ードを初期化すると、カードに保存されているすべてのファイルが削除されます。重要なデータは、事前に別のデバイスにバックアップしておいてください。
- 繰り返し上書きされたメモ리카ードは損傷または劣化することがあり、ビデオと画像ファイルを保存する機能に影響が生じることがあります。その場合、直ちに新しいメモ리카ードに取り替えてください。
- 信頼できるメーカーの高品質メモ리카ードを使用してください。低品質のメモ리카ードを使用した場合、実際の読み取り/書き込み速度が標準の速度に一致しないことや、実際の保存容量が標準の保存容量に一致しないことがあります。低品質のメモ리카ードを使用した場合のビデオの損失や破損について、当社は責任を負いません。
- メモ리카ードは、ドライブレコーダーの電源が入った状態で挿入したり取り外したりしないでください。

カスタマーサポート: help_jp@70mai.com

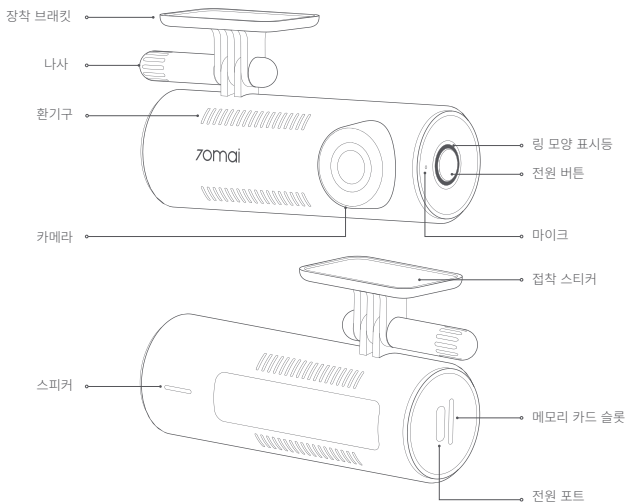
詳細情報は、www.70mai.com/ja/をご参照ください。

製造業者: 70mai Co., Ltd.

住所: 中国上海闵行区紫星路588号2号館2220室

제품 개요

제품을 사용하기 전에 이 설명서를 자세히 읽고 안전한 장소에 보관하십시오.



패키지 내용물

- | | | |
|----------------|----------------|-----------------|
| 1. 대시 캠 × 1 | 4. 정전기 스티커 × 2 | 6. 배선 트림 도구 × 1 |
| 2. 전원 코드 × 1 | 5. 접착 스티커 × 1 | 7. 사용 설명서 × 1 |
| 3. 차량용 충전기 × 1 | | |

주의: 사용 설명서의 제품, 액세서리 및 사용자 인터페이스 그림은 참고용입니다. 실제 제품 및 기능은 제품 개선으로 인해 달라질 수 있습니다.

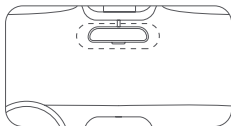
설치하기

1. 정전기 스티커 부착하기

전면 유리창의 권장 부위에 정전기 스티커를 붙입니다. 스티커를 눌러 기포를 제거합니다.

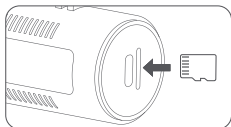
부착하기 위해 자동차 앞 유리의 가장자리를 피하고 편평하며 매끄러운 곳을 선택합니다.

주의: 스티커가 접착력을 잃어 대시 캠이 떨어지는 것을 방지하기 위해 앞유리의 상태를 액체 잔여물 없이 깨끗하고 건조하게 유지하십시오.



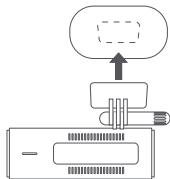
2. 메모리 카드 설치하기

그림과 같이 메모리 카드의 접촉면이 왼쪽을 향한 상태에서 카드 슬롯에 메모리 카드를 삽입하십시오.



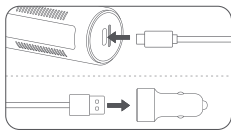
3. 대시 캠 장착하기

정전기 스티커에 대시 캠을 붙입니다.



4. 전원 코드 연결하기

대시 캠과 차량용 충전기를 전원 코드로 연결합니다.

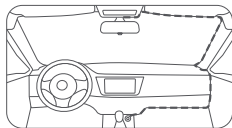


5. 케이블 연결하기

전원 코드를 차량의 전원 콘센트에 연결하고 차량용 충전기를 전원 콘센트에 연결합니다. 자동차 엔진의 시동을 켜면 대시 캠이 자동으로 켜집니다.

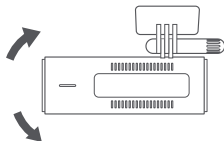
주의:

- 함께 제공된 배선 트림 도구를 사용하여 A-필러를 따라 차량의 헤드라이너와 고무 실 아래에 전원 코드를 숨깁니다.
- 차량에 따라 전원 콘센트의 위치가 다를 수 있습니다. 제공된 그림은 참조용입니다.



6. 카메라 각도 조정하기

대시 캠을 70mai 앱에 연결하고 대시 캠 홈페이지로 들어갑니다. 화면의 실시간 이미지를 참조하여 카메라 각도를 조정합니다.



버튼 기능

대시 캠 상태	작동	기능
꺼짐(대시 캠이 전원에 연결되어 있어야 함)	한 번 누르기	장치 켜기
켜짐	약 3초 동안 길게 누르기	장치 끄기
	한 번 누르기	Wi-Fi 켜기/끄기
	연속해서 4번 누르기	메모리 카드 포맷하기
	연속해서 5번 누르기	초기 설정으로 복원
휴대폰에서 연결 요청 수신	약 15초 동안 길게 누르기	장치 강제 재시작
	한 번 누르기	연결 승인 확인

70mai 앱과 연결

이 제품은 70mai 앱과 함께 사용되어야 합니다. 아래 단계에 따라 앱과 연결하십시오.

1. QR 코드를 스캔하여 앱을 다운로드하고 설치합니다. 또는 앱스토어에서 "70mai"를 검색하여 다운로드하고 설치합니다.



스캔하여 앱 다운로드

2. 앱을 열고 장치 페이지에서 "+"를 탭한 후 해당 대시 캠 유형을 찾은 다음 대시 캠 이미지를 탭합니다.
3. 대시 캠을 켜고 Wi-Fi 핫스팟을 활성화합니다. 화면의 지시에 따라 휴대폰 설정에서 대시 캠의 Wi-Fi 핫스팟을 연결합니다.
4. 성공적으로 연결되면 70mai 앱으로 돌아갑니다. 장치 페이지에서 대시 캠을 연결하고 대시 캠 홈페이지로 들어갑니다. 실시간 영상을 확인하고 대시 캠 설정을 구성할 수 있습니다.

주의: 휴대폰으로 대시 캠의 Wi-Fi 핫스팟에 연결하려면 안드로이드 5.0 & iOS 11.0 이상이 필요합니다.

앱 연결 시 추가 도움이 필요한 경우 아래 QR 코드를 스캔하여 튜토리얼 비디오를 시청하십시오.



스캔하여 비디오 보기

Wi-Fi 핫스팟 정보는 다음과 같습니다.

핫스팟 이름: 70mai_M310_XXXX (핫스팟 이름은 기기의 라벨을 확인하십시오.)

기본 비밀번호: 12345678

음성 제어

대시 캠은 음성 제어를 지원합니다. 대시 캠이 작동 중일 때 사용자의 음성 명령에 따라 해당 기능이 실행됩니다.

대시 캠의 방송 언어가 중국어(번체)로 설정된 경우 중국어 음성 명령이 지원됩니다. 다른 언어를 설정하면 영어 음성 명령만 지원됩니다. 음성 명령은 다음과 같습니다.

음성 명령	기능
Take photo	대시 캠이 사진을 찍고 앨범에 저장합니다.
Lock the video	대시 캠이 비상 동영상을 녹화하고 비상 동영상 디렉토리에 저장합니다.
Turn on audio	대시 캠이 동영상 외에도 오디오를 녹음합니다.
Turn off audio	대시 캠이 오디오를 녹음하지 않고 동영상만 녹화합니다.
Turn on hotspot	대시 캠의 Wi-Fi 핫스팟이 켜집니다.
Turn off hotspot	대시 캠의 Wi-Fi 핫스팟이 꺼집니다.

주요: 대시 캠이 70mai 앱에 연결된 경우 음성 제어가 지원되지 않습니다.

사양

제품: Dash Cam

모델: M310

입력: 5V ≍ 2A

배터리 용량: 300mAh

해상도: 2304 × 1296

렌즈: FOV 130° / F2.0

배터리 유형: 리튬 이온 배터리

전원 공급: 자동차 시거 라이터

제품 치수: 100.3 × 52.5 × 36.1 mm

무선 연결: Wi-Fi IEEE 802.11b/g/n 2.4GHz

Wi-Fi 작동 주파수: 2400-2483.5MHz

Wi-Fi 최대 출력: < 20dBm

주의사항

대시 캠을 사용하기 전에 올바르게 안전한 사용을 보장하기 위해 모든 주의사항과 사용자 설명서를 읽으십시오.

- 본 대시 캠은 차량의 외부 영상을 녹화하기 위해 제작된 운전 보조 장치입니다. 대시 캠에는 사용자의 운전 안전을 보장하는 기능이 없습니다. 사용자는 현지 교통 법규를 준수하고 운전 안전을 최우선으로 고려해야 합니다. 운전 중에는 본 제품을 조작하지 마십시오.
- 차량 상태, 운전 스타일, 운전 환경 등의 차이로 인해 일부 기능이 제대로 작동하지 않을 수 있습니다. 정전, 정상 작동 온도 또는 습도 범위를 벗어난 환경에서의 사용, 충돌, 메모리 카드 손상 등으로 인해 대시 캠이 비정상적으로 작동할 수 있습니다. 대시 캠이 모든 상황에서 정상적으로 작동한다는 보장은 없습니다. 대시 캠이 녹화한 동영상은 참조 목적으로만 사용됩니다.
- 제품 고장이나 부상의 위험을 방지하기 위해 운전자의 시야를 가리거나 차량의 에어백을 막지 않도록 본 대시 캠을 올바르게 설치하십시오.
- 캠이 장착된 앞 유리창에 색깔이 있는 차량용 필름이 씌워져 있을 경우, 녹화 품질에 영향을 주거나 영상 왜곡 현상이 발생할 수 있습니다. 전면 유리에 금속 필름을 적용하면 GPS 모듈이 내장된 대시 캠 모델의 경우 GPS 신호 품질이 저하될 수 있습니다.
- 대시 캠에 충돌이나 강한 충격을 주지 마십시오. 제품이 오작동할 수 있습니다. 대시 캠을 강한 자기장에서 멀리 떨어진 곳에 두십시오.
- 대시 캠을 닦을 때 화학 용제나 세제를 사용하지 마십시오.
- 온도가 60°C 이상 또는 -10°C 미만인 환경에서는 대시 캠을 사용하지 마십시오.
- 대시 캠을 일정 시간 동안 작동시키면 외부 케이스의 온도가 상승하므로 만질 때 주의하십시오.
- 대시 캠을 법원에서 허용하는 범위 내에서만 사용하십시오.

안전 정보

- 부적합으로 인한 제품 고장을 방지하기 위해 포함된 자동차 충전기, 전원 코드 및 기타 액세서리를 사용하십시오. 당사는 사용자의 비정품 자동차 충전기 또는 전원 코드 사용으로 인한 어떠한 손실 또는 손상에 대해서는 책임지지 않습니다.
- 대시 캠을 충전하기 위해 전원 어댑터를 사용하는 경우 지역 안전 표준을 준수하거나 자격을 갖춘 제조업체가 인증하고 제공한 전원 어댑터만 사용하십시오.
- 배터리를 불이나 고열의 화로 안에 놓고 폐기하거나 기계적으로 누르거나 자르면 폭발을 초래할 수 있습니다.
- 배터리를 온도가 아주 높은 환경에 놓으면 폭발 또는 가연성 있는 액체나 가스 누출을 초래할 수 있습니다.
- 배터리가 극도의 저기압에 노출되면 폭발 또는 가연성 있는 액체나 가스 누출을 초래할 수 있습니다.
- 이 기기는 내장 배터리와 함께 제공되며 이 배터리는 분리할 수 없습니다. 배터리를 직접 분해하거나 개조하지 마십시오.
- 잘못된 유형의 배터리로 교체하면 안전장치가 손상될 수 있습니다. (예: 일부 리튬 배터리 유형).
- 대시 캠과 액세서리에는 작은 부품이 포함되어 있을 수 있습니다. 질식, 기타 위험 또는 어린이에 의한 손상을 방지하려면 대시 캠을 어린이의 손이 닿지 않는 곳에 보관하십시오.

메모리 카드 지침

- 사용하기 전에 대시 캠에 메모리 카드(별도 판매)를 설치해야 합니다.
- 대시 캠은 표준 microSD 카드를 지원합니다. 용량이 16GB ~ 256GB이고 등급이 Class 10, U1 이상인 메모리 카드를 사용하십시오.
- 메모리 카드의 기본 파일 파티션 형식이 대시 캠에서 지원하는 형식과 일치하지 않을 수 있습니다. 메모리 카드를 처음 삽입할 때는 대시 캠에서 포맷한 후 사용하십시오. 메모리 카드를 포맷하면 카드에 있는 모든 파일이 삭제됩니다. 중요한 데이터는 미리 다른 장치에 백업하십시오.
- 메모리 카드는 덮어쓰기를 반복하면 손상되거나 성능이 저하될 수 있으며, 이는 비디오 및 이미지 파일 저장 기능에 영향을 줄 수 있습니다. 이런 경우에는 즉시 새로운 메모리 카드로 교체하십시오.
- 공인 판매점에서 구입한 고품질 메모리 카드를 사용하십시오. 품질이 낮은 메모리 카드는 명시된 속도와 일치하지 않는 실제 읽기/쓰기 속도, 명시된 저장 용량과 일치하지 않는 실제 저장 용량과 같은 문제가 있을 수 있습니다. 당사는 저품질 메모리 카드 사용으로 인한 영상 손실 및 파손에 대해 책임지지 않습니다.
- 대시 캠의 전원이 켜진 상태에서 메모리 카드를 넣거나 빼지 마십시오.

서비스: help@70mai.com

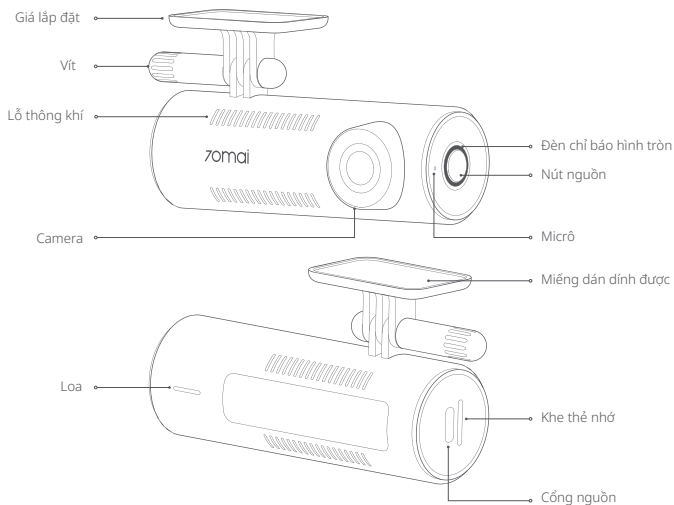
보다 상세한 정보는 www.70mai.com을 참조하십시오.

제조사: 70mai Co., Ltd.

주소: Room 2220, Building 2, No. 588 Zixing Road, Minhang District, Shanghai, China

Tổng quan về sản phẩm

Vui lòng đọc kỹ tài liệu hướng dẫn này trước khi sử dụng sản phẩm và nhớ cất tài liệu ở chỗ an toàn.



Linh kiện trong hộp

1. Camera hành trình × 1
2. Dây nguồn × 1
3. Bộ sạc trên ô tô × 1
4. Miếng dán tĩnh điện × 2
5. Miếng dán dính được × 1
6. Dụng cụ giấu dây × 1
7. Hướng dẫn sử dụng × 1

Lưu ý: Các hình minh họa sản phẩm, phụ kiện và giao diện người dùng chỉ mang tính tham khảo. Sản phẩm và các chức năng trong thực tế có thể khác do cải tiến sản phẩm.

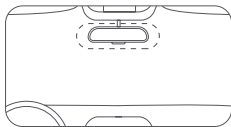
Lắp đặt

1. Dán miếng dán tĩnh điện

Dán miếng dán tĩnh điện lên vùng được đề xuất trên kính chắn gió phía trước. Ấn lên miếng dán để loại bỏ bong bóng khí.

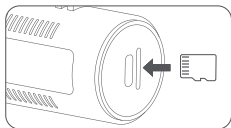
Tránh cạnh của kính chắn gió và chọn vùng bằng phẳng, nhẵn để dán.

Lưu ý: Giữ kính chắn gió sạch và khô ráo để tránh tình trạng miếng dán mất độ dính khiến camera hành trình rơi xuống.



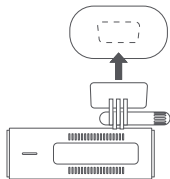
2. Lắp thẻ nhớ

Lắp thẻ nhớ vào khe cắm thẻ sao cho các mặt tiếp xúc hướng về bên trái, như hình minh họa.



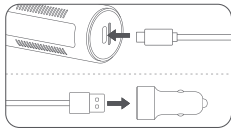
3. Gắn camera hành trình

Dán camera hành trình lên miếng dán tĩnh điện.



4. Kết nối dây nguồn

Kết nối camera hành trình và bộ sạc trên ô tô bằng dây nguồn.

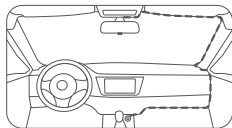


5. Lắp đặt dây dẫn

Dẫn dây nguồn đến ổ cắm điện của xe, rồi cắm bộ sạc trên ô tô vào ổ điện. Khởi động động cơ ô tô, sau đó camera hành trình sẽ tự động bật.

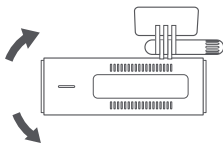
Lưu ý:

- Sử dụng dụng cụ giấu dây đi kèm để giấu dây nguồn bên dưới lớp bọc trần xe và miếng đệm cao su dọc theo trụ A.
- Tùy thuộc vào loại xe, ổ cắm điện có thể nằm ở vị trí khác. Hình ảnh được cung cấp chỉ mang tính tham khảo.



6. Điều chỉnh góc camera

Liên kết camera hành trình với ứng dụng 70mai và vào trang chủ của camera hành trình. Điều chỉnh góc camera dựa trên hình ảnh thời gian thực trên màn hình.



Chức năng nút

Trạng thái của camera hành trình	Hoạt động	Chức năng
Đã tắt (Camera hành trình phải được kết nối với nguồn điện)	Nhấn một lần	Bật thiết bị
Bật	Nhấn và giữ khoảng 3 giây	Tắt thiết bị
	Nhấn một lần	Bật/tắt Wi-Fi
	Nhấn 4 lần liên tiếp	Định dạng thẻ nhớ
	Nhấn 5 lần liên tiếp	Đặt lại cài đặt gốc
	Nhấn và giữ khoảng 15 giây	Buộc khởi động lại thiết bị
Đang nhận yêu cầu kết nối từ điện thoại	Nhấn một lần	Xác nhận cho phép kết nối

Đang kết nối với ứng dụng 70mai

Sản phẩm này cần được sử dụng cùng với ứng dụng 70mai. Làm theo các bước dưới đây để kết nối sản phẩm với ứng dụng.

1. Quét mã QR để tải ứng dụng xuống và cài đặt. Hoặc tìm kiếm “70mai” trên kho ứng dụng để tải xuống và cài đặt.



Quét để tải ứng dụng xuống

2. Mở ứng dụng, nhấn vào dấu “+” trong trang thiết bị, tìm loại camera hành trình tương ứng và nhấn vào hình ảnh camera hành trình.
3. Bật camera hành trình và bật điểm truy cập Wi-Fi. Làm theo hướng dẫn trên màn hình để kết nối điểm truy cập Wi-Fi của camera hành trình trong cài đặt điện thoại của bạn.
4. Sau khi kết nối thành công, hãy quay lại ứng dụng 70mai. Tại trang thiết bị, kết nối camera hành trình và vào trang chủ của camera hành trình. Bạn có thể xem video trực tiếp và định cấu hình cài đặt camera hành trình.

Lưu ý: Điện thoại di động phải sử dụng Android 5.0 & iOS 11.0 trở lên thì mới kết nối được với điểm truy cập Wi-Fi của camera hành trình.

Nếu bạn cần thêm trợ giúp khi kết nối ứng dụng, hãy quét mã QR bên dưới để xem video hướng dẫn.



Quét để xem video

Thông tin về điểm truy cập Wi-Fi như sau:

Tên điểm truy cập: 70mai_M310_XXXX (Vui lòng kiểm tra nhãn trên thiết bị để biết tên điểm truy cập.)

Mật khẩu mặc định: 12345678

Điều khiển bằng giọng nói

Camera hành trình hỗ trợ tính năng điều khiển bằng giọng nói. Khi camera hành trình đang hoạt động, khẩu lệnh từ người dùng sẽ kích hoạt các chức năng tương ứng.

Nếu bạn đặt ngôn ngữ truyền phát là tiếng Trung phần thể thì camera hành trình sẽ hỗ trợ khẩu lệnh bằng tiếng Quan thoại. Nếu bạn đặt ngôn ngữ khác thì camera chỉ hỗ trợ khẩu lệnh bằng tiếng Anh. Có các khẩu lệnh như sau:

Khẩu lệnh	Chức năng
Take photo	Camera hành trình sẽ chụp ảnh và lưu ảnh vào album.
Lock the video	Camera hành trình sẽ ghi lại một video khẩn cấp và lưu trữ video này trong thư mục video khẩn cấp.
Turn on audio	Camera hành trình sẽ ghi lại âm thanh cũng như video.
Turn off audio	Camera hành trình sẽ không ghi lại âm thanh mà chỉ ghi lại video.
Turn on hotspot	Điểm truy cập Wi-Fi của camera hành trình sẽ bật.
Turn off hotspot	Điểm truy cập Wi-Fi của camera hành trình sẽ tắt.

Lưu ý: Khi camera hành trình được kết nối với ứng dụng 70mai, tính năng điều khiển bằng giọng nói sẽ không được hỗ trợ.

Thông số kỹ thuật

Sản phẩm: Dash Cam

Kiểu máy: M310

Điện áp đầu vào: 5V \equiv 2A

Dung lượng pin: 300 mAh

Độ phân giải: 2304 \times 1296

Ống kính: FOV 130°/ F2.0

Loại pin: Pin Li-ion

Nguồn điện: Tắc sạc trên ô tô

Kích thước sản phẩm: 100,3 \times 52,5 \times 36,1 mm

Kết nối không dây: Wi-Fi IEEE 802.11b/g/n 2,4 Ghz

Tần số hoạt động Wi-Fi: 2.400 – 2.483,5 MHz

Công suất đầu ra Wi-Fi tối đa: < 20 dBm

Biện pháp phòng ngừa

Trước khi sử dụng camera hành trình này, hãy đọc toàn bộ các biện pháp phòng ngừa và hướng dẫn sử dụng để đảm bảo bạn sử dụng camera hành trình đúng cách và an toàn.

- Camera hành trình này là một thiết bị hỗ trợ lái xe được thiết kế để ghi lại hình ảnh bên ngoài xe. Thiết bị này không có chức năng đảm bảo an toàn cho người dùng khi lái xe. Người dùng phải tuân thủ các quy tắc và quy định tham gia giao thông tại địa phương, cũng như đặt an toàn khi lái xe lên hàng đầu. Không vận hành sản phẩm này trong khi lái xe.
- Do sự khác biệt về điều kiện xe, kiểu lái xe, môi trường lái xe và các yếu tố khác, một số chức năng có thể hoạt động không đúng cách. Sự cố mất điện, việc sử dụng trong môi trường ngoài phạm vi nhiệt độ hoặc độ ẩm vận hành bình thường, sự cố va chạm hoặc thẻ nhớ hư hỏng có thể khiến camera hành trình hoạt động không đúng cách. Không có gì đảm bảo rằng camera hành trình này sẽ hoạt động bình thường trong mọi trường hợp. Các video mà camera hành trình này ghi lại chỉ nhằm mục đích tham khảo.
- Vui lòng lắp camera hành trình này đúng cách, không chắn tầm nhìn của người lái cũng như không chặn túi khí của xe để tránh sản phẩm bị hỏng hoặc gây thương tích cá nhân.
- Nếu kính chắn gió phía trước nơi lắp đặt camera hành trình được phủ bằng phim ô tô có màu thì việc này có thể làm ảnh hưởng đến chất lượng quay video hoặc gây nhiễu video. Nếu dán màng kim loại lên kính chắn gió phía trước thì có thể dẫn đến giảm chất lượng tín hiệu GPS đối với các kiểu máy camera hành trình được trang bị mô-đun GPS tích hợp.
- Tránh gây ra va chạm hoặc va đập mạnh với camera hành trình, nếu không sản phẩm có thể bị trục trặc. Để camera hành trình này tránh xa mọi từ trường mạnh.
- Không được dùng dung môi hóa học hoặc chất tẩy rửa để rửa camera hành trình.
- Không sử dụng camera hành trình này trong môi trường có nhiệt độ vượt quá 60°C hoặc dưới -10°C.
- Sau khi hoạt động một thời gian, nhiệt độ vỏ ngoài của camera hành trình sẽ tăng lên. Hãy thận trọng khi chạm vào đó.
- Vui lòng chỉ sử dụng camera hành trình này trong phạm vi được pháp luật cho phép.

Thông tin về an toàn

- Vui lòng sử dụng bộ sạc trên ô tô, dây nguồn và các phụ kiện khác đi kèm để tránh sản phẩm bị hỏng do lỗi không tương thích. Chúng tôi không chịu trách nhiệm về bất kỳ tổn thất hoặc thiệt hại nào do sử dụng bộ sạc hoặc dây nguồn không chính hãng trên ô tô.
- Nếu bạn sử dụng bộ đổi nguồn để sạc camera hành trình, vui lòng chỉ sử dụng bộ đổi nguồn tuân thủ các tiêu chuẩn an toàn tại địa phương hoặc đã được các nhà sản xuất đủ điều kiện chứng nhận và cung cấp.
- Vứt pin vào lửa hoặc lò nóng hay nghiền nát hoặc cắt pin bằng máy có thể gây nổ.
- Để pin ở môi trường xung quanh có nhiệt độ cực cao có thể gây nổ hoặc rò rỉ chất lỏng hoặc khí dễ cháy.

- Pin chịu áp suất không khí cực thấp có thể gây nổ hoặc rò rỉ chất lỏng hoặc khí dễ cháy.
- Thiết bị này được trang bị pin gắn trong không thể tháo rời hoặc thay thế. Không tự mình tháo rời hoặc sửa đổi pin.
- Việc thay pin bằng loại không đúng có thể làm mất tác dụng bảo vệ (ví dụ: trong trường hợp dùng một số loại pin lithium).
- Camera hành trình và các phụ kiện đi kèm có thể chứa các linh kiện nhỏ. Để tránh trường hợp trẻ em bị nghẹt thở hoặc các mối nguy hiểm hay hư hại khác, hãy để camera hành trình tránh xa tầm với của trẻ em.

Hướng dẫn về thẻ nhớ

- Bạn phải lắp thẻ nhớ (bán riêng) vào camera hành trình trước khi sử dụng.
- Camera hành trình hỗ trợ thẻ microSD tiêu chuẩn. Vui lòng sử dụng thẻ nhớ có dung lượng 16 GB – 256 GB và có tốc độ class 10, U1 trở lên.
- Dạng thức phân vùng tệp mặc định của thẻ nhớ có thể không nhất quán với dạng thức được camera hành trình hỗ trợ. Khi lắp thẻ nhớ lần đầu tiên, vui lòng định dạng thẻ nhớ trong camera hành trình trước khi sử dụng. Việc định dạng thẻ nhớ sẽ xóa tất cả tệp trong thẻ. Vui lòng sao lưu dữ liệu quan trọng sang thiết bị khác trước.
- Thẻ nhớ có thể hư hỏng sau nhiều lần ghi đè, dễ ảnh hưởng đến khả năng lưu tệp video và hình ảnh. Nếu điều này xảy ra, hãy thay ngay một thẻ nhớ mới.
- Vui lòng sử dụng thẻ nhớ chất lượng cao mua từ nhà cung cấp uy tín. Thẻ nhớ chất lượng kém có thể ẩn chứa các vấn đề như tốc độ đọc/ghi thực tế không giống tốc độ đã nêu và dung lượng lưu trữ thực tế không giống dung lượng lưu trữ đã nêu. Chúng tôi sẽ không chịu trách nhiệm cho video bị mất hoặc hỏng do việc sử dụng thẻ nhớ chất lượng kém.
- Không lắp hoặc tháo thẻ nhớ khi camera hành trình đang bật.

Dịch vụ: help@70mai.com

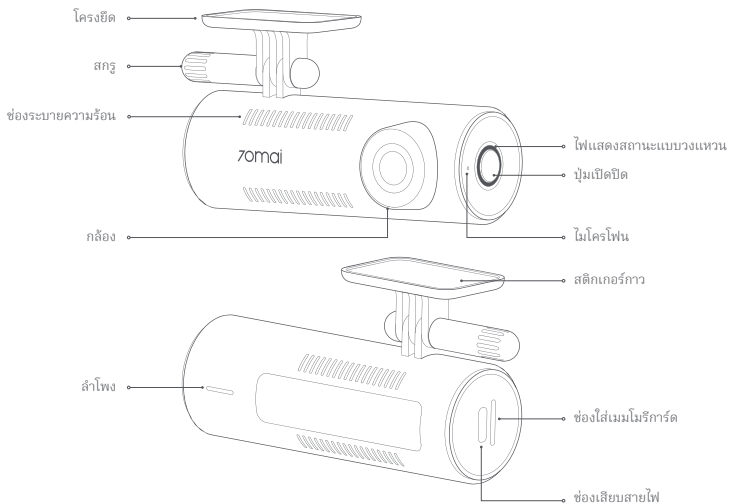
Để biết thêm thông tin, vui lòng truy cập www.70mai.com

Nhà sản xuất: 70mai Co., Ltd.

Địa chỉ: Room 2220, Building 2, No. 588 Zixing Road, Minhang District, Shanghai, China

ภาพรวมของผลิตภัณฑ์

ก่อนที่จะเริ่มใช้งานผลิตภัณฑ์ โปรดอ่านคู่มือฉบับนี้ด้วยความระมัดระวัง และโปรดจัดเก็บคู่มือฉบับนี้ไว้ในสถานที่ที่มีความปลอดภัย



รายการในกล่องบรรจุภัณฑ์

1. แดชแคม 1 เครื่อง
2. สายไฟ 1 เส้น
3. ที่ชาร์จในรถยนต์ 1 ชิ้น
4. สติ๊กเกอร์ไฟฟ้าสถิต 2 แผ่น
5. สติ๊กเกอร์กาว 1 แผ่น
6. เครื่องมือตัดแต่งสายไฟ 1 ชิ้น
7. คู่มือการใช้งาน 1 ฉบับ

หมายเหตุ: รูปภาพต่างๆ ของผลิตภัณฑ์ อุปกรณ์เสริม และอินเตอร์เฟซผู้ใช้งาน ที่ปรากฏอยู่ในคู่มือการใช้งานฉบับนี้ มิใช่เพื่อวัตถุประสงค์ด้านการอ้างอิงเท่านั้น การเสริมประสิทธิภาพให้แก่ผลิตภัณฑ์ อาจจะทำให้ผลิตภัณฑ์และฟังก์ชันการใช้งานจริงมีลักษณะที่แตกต่างออกไปได้

การติดตั้ง

1. ติดตั้งสติ๊กเกอร์ไฟฟ้าสถิต

ติดสติ๊กเกอร์ไฟฟ้าสถิตในตำแหน่งที่แนะนำบนกระจกหน้ารถยนต์ กัดสติ๊กเกอร์เพื่อขจัดฟองอากาศออก

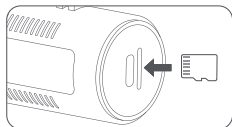
หลีกเลี่ยงการติดบริเวณขอบของกระจกหน้ารถยนต์ และเลือกติดในบริเวณที่เป็นพื้นที่ยราบเรียบ

หมายเหตุ: ดูแลกรักษากระจกหน้าให้สะอาดและแห้ง ปราศจากคราบของเหลวอยู่เสมอ เพื่อป้องกันสติ๊กเกอร์สูญเสียการยึดเกาะและป้องกันແຂງແຂມຕກ



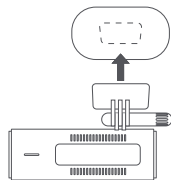
2. การใส่เมมโมรีการ์ด

เสียบเมมโมรีการ์ดลงในช่องใส่เมมโมรีการ์ดโดยให้ด้านที่มีจุดสัมผัสหันไปทางซ้ายตามภาพประกอบ



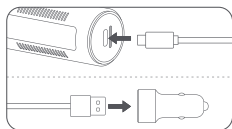
3. การติดตั้งແຂງແຂມ

ติดແຂງແຂມลงบนสติ๊กเกอร์ไฟฟ้าสถิต



4. การเชื่อมต่อสายไฟ

เชื่อมต่อແຂງແຂມและที่ชาร์จในรถยนต์ด้วยสายไฟ

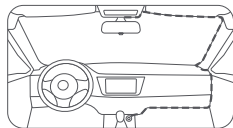


5. การเดินสาย

เดินสายไฟไปยังปลั๊กไฟของรถยนต์แล้วเสียบที่ชาร์จในรถยนต์เข้ากับปลั๊กไฟเมื่อสตาร์ทรถ แดชแคมจะเปิดทำงานโดยอัตโนมัติ

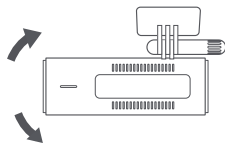
หมายเหตุ:

- ให้ใช้เครื่องมือตัดแต่งสายไฟที่ได้จัดเตรียมไว้เพื่อซ่อนสายไฟไว้ใต้ฝาด้านห้องโดยสารกับใต้ซिलยางของเสาน้ำรถยนต์ฟากคนนั่ง
- ปลั๊กไฟของรถยนต์อาจอยู่ในจุดที่แตกต่างกันได้ ทั้งนี้ขึ้นอยู่กับรถยนต์แต่ละคัน ภาพประกอบนี้มิใช่เพื่อการอ้างอิงเท่านั้น



6. ปรับองศาของกล้อง

เชื่อมต่อแดชแคมเข้ากับแอป 70mai แล้วเข้าสู่หน้าหลักของแดชแคม ปรับองศาของกล้องตามภาพที่ปรากฏบนกล้อง ณ ขณะนั้น



ฟังก์ชันของปุ่ม

สถานะของแดชแคม	การทำงาน	ฟังก์ชัน
ปิดอยู่ (แดชแคมควรเชื่อมต่ออยู่กับแหล่งจ่ายไฟ)	กด 1 ครั้ง	เปิดอุปกรณ์
เปิดอยู่	กดค้างไว้ประมาณ 3 วินาที	ปิดอุปกรณ์
	กด 1 ครั้ง	เปิด/ปิด Wi-Fi
	กด 4 ครั้งติดกัน	ฟอร์แมตการ์ดหน่วยความจำ
	กด 5 ครั้งติดกัน	รีเซ็ตการตั้งค่าจากโรงงาน
	กดค้างไว้ประมาณ 15 วินาที	บังคับรีสตาร์ทอุปกรณ์
รับคำขอการเชื่อมต่อจากโทรศัพท์	กด 1 ครั้ง	ยืนยันอนุญาตการเชื่อมต่อ

การเชื่อมต่อกับแอป 70mai

ผลิตภัณฑ์ที่ขึ้นนี้ต้องใช้ร่วมกับแอป 70mai ปฏิบัติตามขั้นตอนด้านล่างเพื่อเชื่อมต่อเข้ากับแอป

1. สแกนรหัส QR เพื่อดาวน์โหลดและติดตั้งแอป หรือค้นหา "70mai" ใน App Store เพื่อดาวน์โหลดและติดตั้งแอป



สแกนเพื่อดาวน์โหลดแอป

2. เปิดแอป และ "+" ในหน้าอุปกรณ์ ค้นหาประเภทของแดชแคมที่ต้องการและแตะภาพแดชแคม
3. เปิดแดชแคมและเปิดใช้งานฮอตสปอต Wi-Fi ปฏิบัติตามคำแนะนำบนหน้าจอเพื่อเชื่อมต่อฮอตสปอต Wi-Fi ของแดชแคมในการตั้งค่าโทรศัพท์ของคุณ
4. เมื่อเชื่อมต่อสำเร็จแล้ว ให้กลับไปแอป 70mai ในหน้าอุปกรณ์ ให้เชื่อมต่อแดชแคมแล้วเข้าสู่หน้าหลักของแดชแคม คุณสามารถดูไลฟ์วิดีโอและกำหนดค่าการตั้งค่าแดชแคมได้

หมายเหตุ: ในการเชื่อมต่อฮอตสปอต Wi-Fi ของแดชแคมเข้ากับโทรศัพท์เคลื่อนที่นั้น จำเป็นต้องใช้งาน Android 5.0 หรือ iOS 11.0 ขึ้นไป หากคุณต้องการความช่วยเหลือเพิ่มเติมเมื่อเชื่อมต่อแอป โปรดสแกนรหัส QR ด้านล่างนี้เพื่อดูวิดีโอสาธิตการใช้งาน



สแกนเพื่อดูวิดีโอ

ข้อมูลเกี่ยวกับฮอตสปอต Wi-Fi มีดังนี้:

ชื่อฮอตสปอต: 70mai_M310_XXXX (สำหรับชื่อฮอตสปอต โปรดตรวจสอบป้ายบนอุปกรณ์)

รหัสผ่านเริ่มต้น: 12345678

ระบบสั่งการด้วยเสียง

แดชแคมรองรับระบบสั่งการด้วยเสียง ระหว่างการทำงานของแดชแคม คำสั่งเสียงจากผู้ใช้งานจะกระตุ้นการทำงานของฟังก์ชันที่เกี่ยวข้องกันได้

หากตั้งภาษาการออกอากาศของแดชแคมเป็นจีนตัวเต็ม จะรองรับคำสั่งเสียงภาษาแมนดาริน แต่หากตั้งเป็นภาษาอื่น จะรองรับเฉพาะคำสั่งเสียงภาษาอังกฤษ คำสั่งเสียงมีดังนี้:

คำสั่งเสียง	ฟังก์ชัน
Take photo	แดชแคมจะถ่ายรูปแล้วบันทึกลงในอัลบั้ม
Lock the video	แดชแคมจะบันทึกวิดีโอฉุกเฉินและจัดเก็บไว้ในไดเรกทอรีวิดีโอฉุกเฉิน
Turn on audio	แดชแคมจะบันทึกเสียงและภาพ
Turn off audio	แดชแคมจะไม่บันทึกเสียง แต่จะบันทึกเฉพาะภาพเท่านั้น
Turn on hotspot	ฮอตสปอต Wi-Fi ของแดชแคมจะเปิด
Turn off hotspot	ฮอตสปอต Wi-Fi ของแดชแคมจะปิด

หมายเหตุ: ไม่รองรับระบบสั่งการด้วยเสียง เมื่อเชื่อมต่อแดชแคมเข้ากับแอป 70mai

ข้อมูลจำเพาะ

ผลิตภัณฑ์: Dash Cam

รุ่น: M310

ไฟฟ้าจ่ายเข้า: 5 โวลต์ = 2 แอมป์

ความจุของแบตเตอรี่: 300mAh

ความละเอียด: 2304 × 1296

เลนส์: FOV 130° / F2.0

ประเภทของแบตเตอรี่: แบตเตอรี่ Li-ion

แหล่งจ่ายพลังงานไฟฟ้า: ที่จุดบุหรี่ในรถยนต์

ขนาดของอุปกรณ์: 100.3 × 52.5 × 36.1 มม.

การเชื่อมต่อไร้สาย: Wi-Fi IEEE 802.11b/g/n 2.4GHz

ความถี่ในการทำงานของ Wi-Fi: 2400–2483.5MHz

ระดับสัญญาณสูงสุดของ Wi-Fi: < 20dBm

ข้อควรระวัง

ก่อนที่จะใช้งานแดชแคมเครื่องนี้ โปรดอ่านข้อควรระวังและคู่มือการใช้ทั้งหมดอย่างละเอียด ทั้งนี้เพื่อให้สามารถใช้งานได้ถูกต้องและปลอดภัย

- แดชแคมนี้เป็นเครื่องมือช่วยการขับขี่ที่ออกแบบมาให้บันทึกภาพภายนอก และไม่มีฟังก์ชันในการรับรองความปลอดภัยในการขับขี่ของผู้ใช้ ผู้ใช้ต้องปฏิบัติตามกฎจราจรและข้อบังคับในท้องถิ่น และคำนึงถึงความปลอดภัยในการขับขี่เป็นอันดับแรก ห้ามใช้งานผลิตภัณฑ์นี้ขณะขับรถ
- ฟังก์ชันการใช้งานบางประเภทอาจจะไม่สามารถทำงานได้อย่างถูกต้องอันเนื่องมาจากสภาพของยานพาหนะ ลักษณะการขับขี่ สภาพแวดล้อมการขับขี่ และปัจจัยอื่นๆ ปัญหาด้านการจ่ายพลังงานไฟฟ้า การใช้งานในสภาพแวดล้อมที่อยู่บนกระดานหกภูมิ หรือความชื้นที่เหมาะสมต่อการปฏิบัติการ การเฉี่ยวชน หรือการลดหน่วยความจำที่เสียหาย อาจจะเป็นสาเหตุทำให้แดชแคมทำงานผิดปกติได้ ไม่มีการรับประกันว่าแดชแคมเครื่องนี้จะทำงานเป็นปกติได้ภายใต้ทุกสภาวะการัน ภาพเคลื่อนไหวที่แดชแคมเครื่องนี้ได้บันทึก มีไว้เพื่อการอ้างอิงเท่านั้น
- เพื่อเป็นการหลีกเลี่ยงไม่ให้ผลิตภัณฑ์เสียหายและไม่ให้เกิดการบาดเจ็บต่อบุคคล โปรดติดตั้งแดชแคมอย่างถูกต้อง และไม่ติดตั้งกีดขวางวิสัยทัศน์การมองเห็น ของผู้ขับขี่ หรือกีดขวางอุปกรณ์รักษาของยานพาหนะ
- หากกระจงกนารถยนต์บริเวณที่ติดตั้งแดชแคมถูกปิดบังด้วยฟิล์มสีตัดรถยนต์ อาจเกิดผลกระทบต่อคุณภาพการบันทึกวิดีโอหรือทำให้เกิดการผิดเพี้ยนของภาพ หากมีการติดฟิล์มเคลือบโลหะที่กระจงกนารถยนต์ อาจส่งผลให้คุณภาพการรับสัญญาณ GPS ลดลงสำหรับแดชแคมรุ่นที่ไม่มีดูล GPS ในตัว
- หลีกเลี่ยงการชนหรือกระแทกแดชแคมอย่างแรง มิฉะนั้น ผลิตภัณฑ์นี้อาจเกิดความผิดปกติ โปรดเก็บแดชแคมเครื่องนี้ไว้ในสถานที่ที่อยู่ห่างจากสนามแม่เหล็กที่มีความเข้มข้นสูง
- ห้ามใช้สารละลายเคมีหรือน้ำยาทำความสะอาดในการล้างแดชแคม
- ห้ามใช้แดชแคมเครื่องนี้ในสภาพแวดล้อมที่มีอุณหภูมิเกิน 60 องศาเซลเซียส หรือต่ำกว่า -10 องศาเซลเซียส
- เมื่อแดชแคมทำงานต่อเนื่องเป็นเวลานาน อุณหภูมิของตัวเครื่องภายนอกจะสูงขึ้น ดังนั้น โปรดใช้ความระมัดระวังเมื่อสัมผัสกับตัวเครื่อง
- โปรดใช้แดชแคมเครื่องนี้ตามขอบเขตที่กฎหมายอนุญาตเท่านั้น

ข้อมูลเกี่ยวกับความปลอดภัย

- เพื่อเป็นการหลีกเลี่ยงไม่ให้ผลิตภัณฑ์เสียหายอันเนื่องมาจากการไม่รองรับการใช้งาน โปรดใช้ที่ชาร์จในรถยนต์ สายไฟ และอุปกรณ์เสริมอื่นๆ ตามที่ได้จัดเตรียมไว้ให้เท่านั้น เราจะไม่รับผิดชอบต่อการสูญเสียชีวิตหรือความเสียหาย ไม่ว่าจะเป็นสิ่งอันใดก็ตาม อันมีสาเหตุมาจากการใช้งานที่ชาร์จในรถยนต์ หรือสายไฟที่ไม่ใช่ของแท้
- หากท่านใช้อะแดปเตอร์ในการชาร์จแดชแคม ให้ใช้เฉพาะอะแดปเตอร์ที่ได้มาตรฐานความปลอดภัยในท้องถิ่นหรือได้รับการรับรองและจัดทำโดยผู้ผลิตที่มีคุณสมบัติเหมาะสม
- การทิ้งแบตเตอรี่ลงในกองไฟหรือในเตาอบ หรือทำการบดอัดหรือตัดแบตเตอรี่ ด้วยวิธีทางกล อาจส่งผลให้เกิดการระเบิดได้
- การปล่อยให้แบตเตอรี่อยู่ในสภาพแวดล้อมที่มีอุณหภูมิสูงมากอาจส่งผลให้เกิดการระเบิดหรือการรั่วไหลของของเหลวหรือก๊าซไวไฟได้

- แบตเตอรี่ที่สัมผัสกับแรงดันอากาศที่ต่ำมากอาจเกิดการระเบิดหรืออาจเกิดการรั่วไหลของของเหลวหรือก๊าซไวไฟได้
- อุปกรณ์นี้ไม่มีแบตเตอรี่ในตัวซึ่งไม่สามารถถอดออกหรือเปลี่ยนใหม่ได้ ห้ามถอดแยกชิ้นส่วนหรือตัดแปลงแบตเตอรี่ด้วยตัวเอง
- การเปลี่ยนแบตเตอรี่ด้วยแบตเตอรี่ที่ไม่ถูกประเภทอาจส่งผลกระทบต่อความปลอดภัย (เช่น แบตเตอรี่ลิเธียมบางชนิด)
- แดชแคมและอุปกรณ์เสริมอาจประกอบด้วยชิ้นส่วนเล็กๆ เพื่อป้องกันไฟฟ้ดูดหรืออันตรายอื่นๆ หรือความเสียหายที่เกิดจากเด็กเล็ก โปรดเก็บแดชแคมให้พ้นมือเด็ก

คำแนะนำเกี่ยวกับการ์ดหน่วยความจำ

- ต้องใส่การ์ดหน่วยความจำ (แยกจำหน่ายต่างหาก) ลงในแดชแคมก่อนใช้งาน
- แดชแคมเครื่องนี้รองรับการ์ด MicroSD แบบมาตรฐาน โปรดใช้เมมโมรีการ์ดที่มีความจุระหว่าง 16GB ~ 256GB และมีอัตราความเร็ว Class 10, U1 ขึ้นไป
- รูปแบบพาร์ติชันไฟล์ซึ่งเป็นค่าเริ่มต้นของการ์ดหน่วยความจำอาจไม่ตรงกับรูปแบบที่แดชแคมนี้รองรับ เพราะฉะนั้น เมื่อใส่เมมโมรีการ์ดเป็นครั้งแรก โปรดฟอร์แมตเมมโมรีการ์ดในแดชแคมก่อนเริ่มใช้งาน การฟอร์แมตเมมโมรีการ์ดจะทำให้ไฟล์ทุกไฟล์ถูกลบออกจากตัวการ์ด โปรดสำรองข้อมูลสำคัญไปยังอุปกรณ์อื่นไว้ล่วงหน้า
- การ์ดหน่วยความจำอาจเสียหายหรือเสื่อมสภาพหลังจากบันทึกทับซ้ำๆ หลายครั้ง และอาจส่งผลกระทบต่อความสามารถในการบันทึกวิดีโอและไฟล์รูปภาพ ในกรณีนี้ ให้เปลี่ยนการ์ดหน่วยความจำใหม่ทันที
- โปรดใช้งานเมมโมรีการ์ดคุณภาพสูง และสั่งซื้อจากผู้จำหน่ายที่มีความน่าเชื่อถือ เพราะเมมโมรีการ์ดคุณภาพต่ำอาจจะมีปัญหาต่างๆ ได้ เช่น มีความเร็วในการอ่าน/การเขียนจริงที่ไม่ตรงกับความเร็วที่ได้แจ้งไว้ หรือมีขนาดความจุจริงที่ไม่ตรงกับขนาดความจุที่ได้แจ้งไว้ เป็นต้น ทางเราจะไม่รับผิดชอบต่อการสูญเสียหรือความเสียหายของภาพเคลื่อนไหว อันเนื่องมาจากการใช้เมมโมรีการ์ดคุณภาพต่ำ โปรดอย่าใส่หรือถอดเมมโมรีการ์ดในขณะที่แดชแคมเปิดอยู่

ฝ่ายบริการ: help@70mai.com

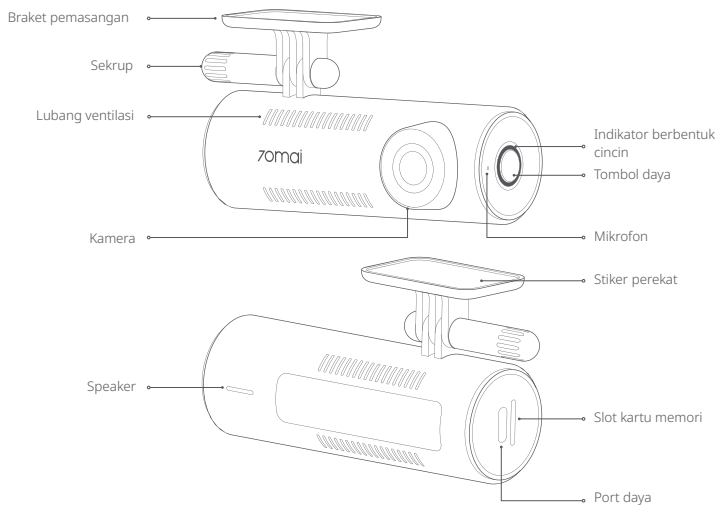
สำหรับข้อมูลเพิ่มเติม โปรดไปที่ www.70mai.com

ผู้ผลิต: 70mai Co., Ltd.

ที่อยู่: Room 2220, Building 2, No. 588 Zixing Road, Minhang District, Shanghai, China

Ringkasan produk

Harap baca panduan ini dengan saksama sebelum menggunakan produk ini dan simpan di tempat yang aman.



Isi kemasan

1. Kamera Dasbor × 1
2. Kabel daya × 1
3. Pengisi daya mobil × 1
4. Stiker elektrostatik × 2
5. Stiker perekat × 1
6. Alat trim kabel × 1
7. Buku panduan × 1

Catatan: Ilustrasi produk, aksesoris, dan antarmuka pengguna dalam panduan pengguna hanya sebagai referensi. Produk dan fungsi sebenarnya mungkin berbeda karena penyempurnaan produk.

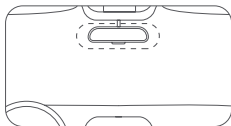
Pemasangan

1. Memasang stiker elektrostatik

Rekatkan stiker elektrostatik di area yang disarankan pada kaca depan mobil. Tekan stikernya untuk menghilangkan gelembung udara.

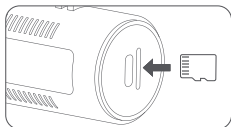
Hindari memasang di tepi kaca depan dan pilih permukaan yang datar dan mulus sebagai tempat pemasangannya.

Catatan: Bersihkan dan keringkan kaca depan tanpa residu cair agar daya rekat stiker tidak berkurang dan kamera dasbor tidak terjatuh.



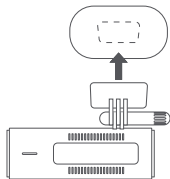
2. Memasang kartu memori

Masukkan kartu memori ke dalam slot kartu tersebut dengan sisi kontak menghadap ke sisi kiri seperti ditunjukkan di gambar.



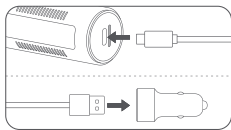
3. Memasang kamera dasbor

Rekatkan kamera dasbor ke stiker elektrostatik.



4. Menyambungkan kabel daya

Sambungkan kamera dasbor dan pengisi daya mobil dengan kabel daya.

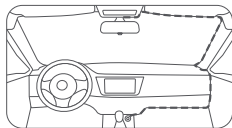


5. Mengatur alur kabel

Atur alur kabel hingga ke stopkontak daya kendaraan lalu colokkan pengisi daya mobil ke dalam stopkontak daya tersebut. Nyalakan mesin mobil, lalu kamera dasbor akan otomatis menyala.

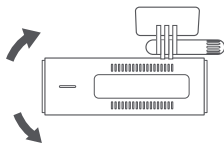
Catatan:

- Gunakan alat trim kabel yang disertakan untuk menyembunyikan kabel daya di bawah headliner kendaraan dan segel karet di sepanjang pilar A.
- Stopkontak daya mungkin terletak di posisi yang berbeda tergantung kendaraannya. Gambar yang disediakan hanya sebagai referensi.



6. Menyesuaikan sudut kamera

Sambungkan kamera dasbor dengan aplikasi 70mai lalu masuklah ke halaman beranda kamera dasbor. Sesuaikan sudut kamera berdasarkan gambar real-time di layar.



Fungsi-fungsi tombol

Status kamera dasbor	Pengoperasian	Fungsi
Mati (Kamera dasbor harus tersambung ke sumber daya listrik)	Tekan sekali	Menyalakan perangkat
Menyala	Tekan dan tahan selama 3 detik	Mematikan perangkat
	Tekan sekali	Menyalakan/mematikan Wi-Fi
	Tekan 4 kali secara berurutan	Memformat kartu memori
	Tekan 5 kali secara berurutan	Mengatur ulang pengaturan pabrik
	Tekan dan tahan selama 15 detik	Menyalakan ulang perangkat secara paksa
Menerima permintaan sambungan dari ponsel	Tekan sekali	Mengonfirmasi otorisasi sambungan

Melakukan sambungan dengan aplikasi 70mai

Produk ini perlu digunakan bersama dengan aplikasi 70mai. Ikuti langkah-langkah di bawah ini untuk menyambungkannya dengan aplikasi.

1. Pindai kode QR untuk mengunduh dan menginstal aplikasi ini. Atau, cari "70mai" di app store untuk mengunduh dan menginstalnya.



Pindai untuk mengunduh aplikasi

2. Buka aplikasinya, sentuh "+" di halaman perangkat, cari jenis kamera dasbor yang sesuai, lalu sentuh gambar kamera dasbor.
3. Nyalakan kamera dasbor lalu aktifkan hotspot Wi-Fi. Ikuti petunjuk di layar untuk menyambungkan hotspot Wi-Fi kamera dasbor di pengaturan ponsel Anda.
4. Setelah berhasil tersambung, kembali ke aplikasi 70mai. Di halaman perangkat, sambungkan kamera dasbor lalu masuklah ke halaman beranda kamera dasbor. Anda dapat melihat video langsung dan mengonfigurasi pengaturan kamera dasbor.

Catatan: Diperlukan Android 5.0 & iOS 11.0 atau lebih tinggi agar tersambung ke hotspot Wi-Fi kamera dasbor dengan ponsel.

Jika Anda butuh bantuan lain saat tersambung ke aplikasi, pindai kode QR di bawah ini untuk melihat video tutorial.



Pindai untuk melihat video

Berikut adalah informasi hotspot Wi-Fi:

Nama hotspot: 70mai_M310_XXXX (Periksa label di perangkat untuk nama hotspot.)

Kata sandi default: 12345678

Kontrol Suara

Kamera dasbor mendukung kontrol suara. Saat kamera dasbor beroperasi, perintah suara dari pengguna akan memicu fungsi-fungsi yang sesuai.

Jika bahasa siaran kamera dasbor diatur ke Tionghoa Tradisional, perintah bahasa Mandarin didukung. Jika bahasa lain ditetapkan, hanya perintah berbahasa Inggris yang didukung. Berikut adalah perintah suaranya:

Perintah suara	Fungsi
Take photo	Kamera dasbor akan mengambil foto dan menyimpannya ke album.
Lock the video	Kamera dasbor akan merekam video darurat dan menyimpannya di direktori video darurat.
Turn on audio	Kamera dasbor akan merekam audio serta video.
Turn off audio	Kamera dasbor tidak akan merekam audio tetapi hanya videonya.
Turn on hotspot	Hotspot Wi-Fi kamera dasbor akan menyala.
Turn off hotspot	Hotspot Wi-Fi kamera dasbor akan mati.

Catatan: Jika kamera dasbor tersambung ke aplikasi 70mai, kontrol suara tidak didukung.

Spesifikasi

Produk: Dash Cam

Model: M310

Input: 5V \pm 2A

Kapasitas baterai: 300mAh

Resolusi: 2304 \times 1296

Lensa: FOV 130°/ F2.0

Jenis baterai: Baterai li-ion

Suplai daya: Pemantik rokok di mobil

Ukuran item: 100,3 \times 52,5 \times 36,1 mm

Konektivitas nirkabel: Wi-Fi IEEE 802.11b/g/n 2,4GHz

Frekuensi operasi Wi-Fi: 2400-2483,5MHz

Output Wi-Fi maksimal: < 20 dBm

Tindakan pencegahan

Sebelum menggunakan kamera dasbor ini, baca semua tindakan pencegahan dan panduan penggunaannya untuk memastikan penggunaannya benar dan aman.

- Kamera dasbor ini adalah alat bantu mengemudi, yang dirancang untuk merekam gambar sisi luar kendaraan. Selain itu, fungsi kamera dasbor tidak untuk memastikan keselamatan pengguna selama mengemudi. Para pengguna harus mematuhi aturan dan peraturan lalu lintas setempat serta memprioritaskan keselamatan mengemudi. Jangan operasikan produk ini saat sedang mengemudi.
- Karena perbedaan kondisi kendaraan, gaya mengemudi, lingkungan mengemudi, dan faktor lain, beberapa fungsi mungkin tidak dapat digunakan dengan baik. Kegagalan daya, penggunaan di lingkungan di luar suhu pengoperasian atau kisaran kelembapan normal, tabrakan, atau kerusakan kartu memori dapat menyebabkan kamera dasbor berfungsi tidak normal. Tidak ada jaminan bahwa kamera dasbor ini akan berfungsi normal dalam segala situasi. Video yang direkam oleh kamera dasbor ini hanya untuk referensi.
- Pasang kamera dasbor ini dengan benar. Jangan sampai pandangan pengemudi terhalang, atau menghambat kantung udara kendaraan agar tidak terjadi kegagalan produk atau cedera diri.
- Jika kaca depan yang menjadi tempat dipasangnya kamera dasbor ditutupi dengan kaca film berwarna, kualitas rekaman video bisa terpengaruh atau video bisa terganggu. Jika lapisan logam dipasang pada kaca depan, hal ini dapat menurunkan kualitas sinyal GPS untuk model kamera dasbor yang dilengkapi modul GPS internal.
- Hindari benturan atau guncangan paksa terhadap kamera dasbor. Jika tidak, produk bisa mengalami kerusakan. Jauhkan kamera dasbor ini dari medan magnet yang kuat.
- Jangan sekali-kali menggunakan pelarut atau detergen untuk mencuci kamera dasbor.
- Jangan gunakan kamera dasbor ini di lingkungan yang suhunya di atas 60°C atau di bawah -10°C.
- Jika kamera dasbor beroperasi dalam waktu lama, suhu casing luar akan naik. Berhati-hatilah saat menyentuhnya.
- Hanya gunakan kamera dasbor ini dalam lingkup yang diizinkan oleh hukum.

Informasi keselamatan

- Gunakan pengisi daya mobil, kabel daya, dan aksesoris lain yang disertakan untuk menghindari kegagalan produk karena ketidaksesuaian spesifikasi. Kami tidak bertanggung jawab atas kehilangan atau kerugian akibat penggunaan pengisi daya mobil atau kabel listrik yang tidak asli.
- Jika Anda menggunakan adaptor daya untuk mengisi daya kamera dasbor, hanya gunakan adaptor daya yang mematuhi standar keselamatan setempat atau disertifikasi dan disediakan oleh produsen yang berkualifikasi.
- Membuang baterai ke dalam api atau oven panas, atau menghancurkan atau memotong baterai secara mekanis dapat mengakibatkan ledakan.
- Meletakkan baterai di lingkungan sekitar yang suhunya sangat tinggi dapat mengakibatkan ledakan atau

kebocoran cairan atau gas yang mudah terbakar.

- Baterai yang terkena tekanan udara yang sangat rendah dapat mengakibatkan ledakan atau kebocoran cairan atau gas yang mudah terbakar.
- Perangkat ini dilengkapi dengan baterai internal yang tidak dapat dilepas atau diganti. Jangan bongkar atau ubah baterai itu sendiri.
- Penggantian baterai dengan jenis yang salah dapat merusak perlindungan (misalnya untuk beberapa jenis baterai litium).
- Kamera dasbor dan aksesorinya bisa berisi komponen-komponen kecil. Untuk menghindari tersedak atau bahaya atau kerusakan lain yang dipicu anak-anak, jauhkan kamera dasbor dari jangkauan anak-anak.

Petunjuk kartu memori

- Kartu memori (dijual terpisah) harus dipasang di kamera dasbor sebelum kamera tersebut digunakan.
- Kamera dasbor ini mendukung kartu microSD standar. Gunakan kartu memori berkapasitas 16 GB - 256 GB dengan kelas rating 10, U1, atau lebih tinggi.
- Format partisi file default pada kartu memori tersebut mungkin tidak konsisten dengan format yang didukung oleh kamera dasbor. Saat memasukkan kartu memori untuk pertama kalinya, format kartu tersebut di kamera dasbor sebelum digunakan. Semua file dalam kartu memori akan terhapus jika kartu tersebut diformat. Cadangkan data pentingnya ke perangkat lain terlebih dahulu.
- Kartu memori dapat rusak atau bermasalah setelah filenya ditimpa berulang kali, dan kemampuannya dalam menyimpan file video dan foto juga akan terpengaruh. Jika masalah ini terjadi, segera ganti kartu memori tersebut dengan yang baru.
- Gunakan kartu memori berkualitas tinggi yang dibeli dari vendor tepercaya. Kartu memori berkualitas rendah mungkin memiliki masalah kecepatan penulisan/pembacaan aktual dan kapasitas penyimpanan aktual yang tidak sesuai dengan informasi yang tercantum. Kami tidak bertanggung jawab atas kehilangan atau kerusakan yang disebabkan oleh kartu memori berkualitas rendah.
- Jangan memasukkan atau mengeluarkan kartu memori saat kamera dasbor menyala.

Layanan: help@70mai.com

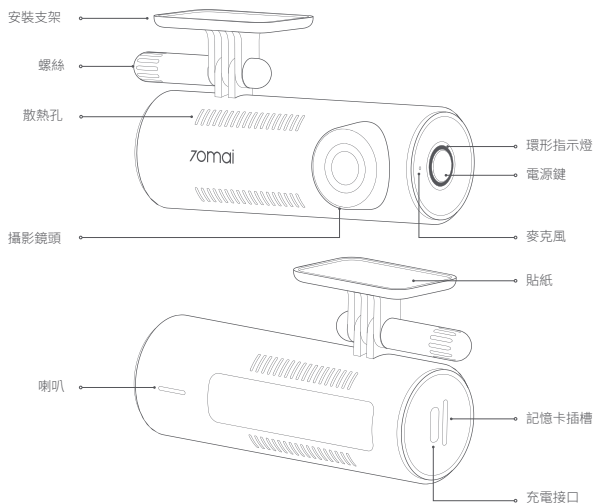
Untuk informasi lebih lanjut, kunjungi www.70mai.com

Produsen: 70mai Co., Ltd.

Alamat: Room 2220, Building 2, No. 588 Zixing Road, Minhang District, Shanghai, China

產品概述

請於使用本產品前詳閱本說明書並妥善保存。



包裝內容

1. 智慧型記錄器 × 1
2. 電源線 × 1
3. 車輛充電器 × 1
4. 靜電貼 × 2
5. 貼紙 × 1
6. 電線修整工具 × 1
7. 說明書 × 1

注意：本手冊中之產品、配件及使用介面等圖片皆為示意圖，僅作為參考，實際產品樣式與功能可能隨產品更新或升級而不同。

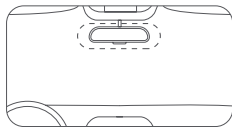
安裝本產品

1. 安裝靜電貼

將靜電貼黏貼至前擋風玻璃的建議區域。按壓貼紙以將氣泡擠壓乾淨。

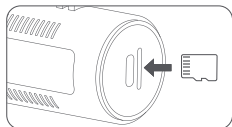
請在平滑處進行安裝，並避開擋風玻璃邊緣。

注意：請保持擋風玻璃清潔與乾燥，無液體殘餘，以防止貼紙失去黏合，智慧型記錄器掉落。



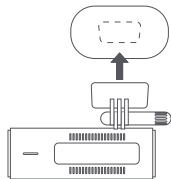
2. 安裝記憶卡

請將記憶卡插入記憶卡插槽，晶片接觸面朝左，如圖所示。



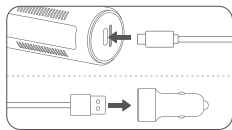
3. 安裝智慧型記錄器

請將智慧型記錄器黏貼至靜電貼。



4. 連接電源線

用電源線連接智慧型記錄器和車輛充電器。

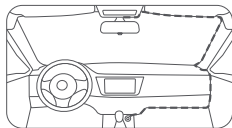


5. 鋪設纜線

請將電源線鋪設至車輛電源插座並將車輛充電器插入電源插座。啟動汽車引擎，智慧型記錄器將自動開啟。

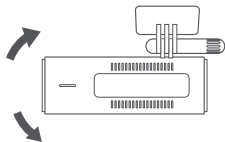
請注意：

- 請用隨附的電線修整工具將電源線隱藏在車頂內襯下方，並沿著A柱密封橡膠條。
- 根據車輛款式不同，電源插座之位置亦可能不同。所提供的圖示皆僅供參考。



6. 調整攝影鏡頭角度

將智慧型記錄器結合70mai app使用，進入智慧型記錄器首頁。根據即時畫面影像，調整攝影鏡頭角度。



按鍵功能

智慧型記錄器狀態	操作	功能
關閉 (智慧型記錄器應連接電源)	按1次	開啟裝置
開啟	按住約3秒	關閉裝置
	按1次	開啟/關閉Wi-Fi
	連按4次	格式化記憶卡
	連按5次	重設原廠設定
	按住約15秒	強制重啟裝置
接收手機連線要求	按1次	確認連線授權

連接70mai app

本產品需要結合70mai app使用。按照下列步驟將其連接至app。

1. 請掃描QR碼以下載並安裝app。或者於app store搜尋「70mai」以下載及安裝。



掃描以下載app

2. 開啟app，點選裝置頁的「+」，找到對應的智慧型記錄器類型，然後點選智慧型記錄器影像。
3. 開啟智慧型記錄器，啟用Wi-Fi熱點。遵守畫面上的指示，在手機設定中連接智慧型記錄器的Wi-Fi熱點。
4. 成功連線後，返回到70mai app。在裝置頁，連接智慧型記錄器並進入智慧型記錄器首頁。可以檢視即時影片並設定智慧型記錄器設定。

注意：若需透過手機連接至智慧型記錄器的Wi-Fi熱點，請使用Android 5.0及iOS 11.0或更高版本。

連接app時如果需要更多幫助，請掃描以下QR碼檢視教導影片。



掃描以檢視影片

Wi-Fi熱點資訊如下：

熱點名稱：70mai_M310_XXXX（關於熱點名稱，請查看裝置上的標籤。）

預設密碼：12345678

語音控制

智慧型記錄器支援語音控制。智慧型記錄器運作時，使用者語音命令會觸發對應的功能。

如果智慧型記錄器的廣播語言設定為繁體中文，則支援普通話語音命令。如果設定為任何其他語言，則僅支援英語語音命令。語音命令如下：

語音命令	功能
我要拍照 (Take photo)	智慧型記錄器拍攝相片並將其儲存至相簿。
我要录像 (Lock the video)	智慧型記錄器錄製緊急影像並將其儲存至緊急影像目錄。
打开录音 (Turn on audio)	智慧型記錄器錄製音訊以及影像。
关闭录音 (Turn off audio)	智慧型記錄器僅錄製影像，而非音訊。
打开热点 (Turn on hotspot)	智慧型記錄器的Wi-Fi熱點將開啟。
关闭热点 (Turn off hotspot)	智慧型記錄器的Wi-Fi熱點將關閉。

注意：智慧型記錄器連接至70mai app時，不支援語音控制。

規格

產品：智慧型記錄器

型號：M310

電源輸入：5V \pm 2A

電池容量：300mAh

畫素：2304 \times 1296

鏡片：FOV 130°/F2.0

電池類型：鋰離子電池

電源供應：車輛點菸器

項目尺寸：100.3 \times 52.5 \times 36.1mm

無線連接：Wi-Fi IEEE 802.11b/g/n 2.4GHz

Wi-Fi操作頻率：2400-2483.5MHz

Wi-Fi最大輸出：< 20dBm

注意事項

請於使用本智慧型記錄器前，詳細閱讀注意事項以及使用指南，以確保可正確且安全使用。

- 本智慧型記錄器為駕駛輔助工具，用於記錄車輛外部影像。並且本智慧型記錄器不具保障使用者駕駛安全的功能。使用者必須遵守當地交通規則及法規，並優先考慮駕駛安全。請勿在駕駛時操作本產品。
- 由於車輛狀況、駕駛習慣、駕駛環境及其他因素之差異，某些功能可能無法正常運作。電源故障、於非正常運作溫度或濕度範圍以內之環境中使用、碰撞或記憶卡損壞皆可能會導致本智慧型記錄器功能異常。我們無法保證本智慧型記錄器在所有情況下皆能正常運作。本智慧型記錄器所錄製的影像皆僅作為參考。
- 請正確安裝本智慧型記錄器，也務必確保安裝後沒有擋到駕駛視野或安全氣囊，以免造成產品損壞或人身傷害。
- 如果安裝智慧型記錄器的前擋風玻璃覆蓋有彩色汽車膜，則可能會影響影像錄製品質或造成影像失真。如果前擋風玻璃上貼有金屬膜，可能會導致配備內置GPS模組的智慧型記錄器型號的GPS訊號質量下降。
- 請避免智慧型記錄器遭受碰撞或強烈震動，否則產品可能會故障。請將本智慧型記錄器遠離任何較強磁力之區域。
- 請勿使用化學溶劑或清潔劑清潔智慧型記錄器。
- 請勿在60°C以上的高溫或-10°C以下的低溫環境使用本智慧型記錄器。
- 智慧型記錄器運作一段時間後，外殼溫度將上升，觸碰時請小心使用。
- 請僅於法律允許之範圍內使用本智慧型記錄器。

安全資訊

- 請使用隨附之汽車充電器、電源線以及其他配件，以免造成因產品規格不符之產品損壞。對於因使用非原裝的汽車充電器或電源線所造成之任何損失或損壞，我們概不負責。
- 如果使用電源轉接器為智慧型記錄器充電，請僅使用符合當地安全標準或合格製造商提供的電源轉接器。
- 將電池丟入火中或烤箱中，或機械壓碎或切割電池，可能會導致爆炸。
- 將電池置於極高溫環境中，可能會導致爆炸或易燃液體或氣體洩漏。
- 處於極低氣壓的電池，可能會導致爆炸或易燃液體或氣體洩漏。
- 本裝置配備有不能移除或更換的內置電池。請勿自行拆解或改裝電池。
- 更換的電池類型不正確會使安全裝置失效（例如某些類型的鋰電池）。
- 智慧型記錄器及其配件可能包含小零件。若要避免兒童窒息或其他危險或損壞，請將智慧型記錄器放置在兒童不可及之處。

記憶卡說明

- 請於使用前確切安裝好記憶卡於智慧型記錄器內（記憶卡需另外自行購買）。
- 智慧型記錄器支援標準microSD記憶卡。請使用容量16GB至256GB及速度為Class 10、U1或更高之記憶卡。
- 記憶卡之預設檔案分隔格式可能不符合智慧型記錄器支援的格式。請在第一次插入記憶卡使用前，先在智慧型記錄器內將記憶卡格式化。記憶卡格式化將會刪除此記憶卡之所有檔案。請預先備份您的重要資料至其他裝置。

- 反覆覆寫後，記憶卡可能會損壞或變質，這可能會影響其保存影像及圖像檔案之功能。若發生此現象，請立即更換新的記憶卡。
- 請使用於較有保障之商家購買之高品質記憶卡。劣質記憶卡可能會出現如實際讀取/寫入速度與指定速度不匹配，以及實際存儲容量與指定存儲容量不匹配之相關問題。對於因使用劣質記憶卡所造成之影像檔案遺失或損壞，我們概不負責。
- 在智慧型記錄器開啟時，請勿插入或取出記憶卡。

NCC警語:(僅適用於台灣市場)

取得審驗證明之低功率射頻器材，非經核准，公司、商號或使用者均不得擅自變更頻率、加大功率或變更原設計之特性及功能。低功率射頻器材之使用不得影響飛航安全及干擾合法通信；經發現有干擾現象時，應立即停用，並改善至無干擾時方得繼續使用。前述合法通信，指依電信管理法規定作業之無線電通信。低功率射頻器材須忍受合法通信或工業、科學及醫療用電波輻射性電機設備之干擾。

產品中有害物質的名稱及含量

設備名稱:70邁智慧型記錄器 Equipment name		型號(型式):M310 Type Designation				
單元 Unit	限用物質及其化學符號					
	鉛Lead (Pb)	汞Mercury (Hg)	鎘Cadmium (Cd)	六價鉻 Hexavalent chromium (Cr ⁶⁺)	多溴聯苯 Polybrominated biphenyls (PBB)	多溴二苯醚 Polybrominated diphenyl ethers (PBDE)
外殼	○	○	○	○	○	○
PCB板	○	○	○	○	○	○
支架	○	○	○	○	○	○
按鍵	○	○	○	○	○	○
備考1. ¹ “超出0.1 wt %”及 ² “超出0.01 wt %”係指限用物質之百分比含量超出百分比含量基準值。						
備考2. ³ “○”係指該項限用物質之百分比含量未超出百分比含量基準值。						
備考3. ⁴ “-”係指該項限用物質為排除項目。						

客服: help@70mai.com

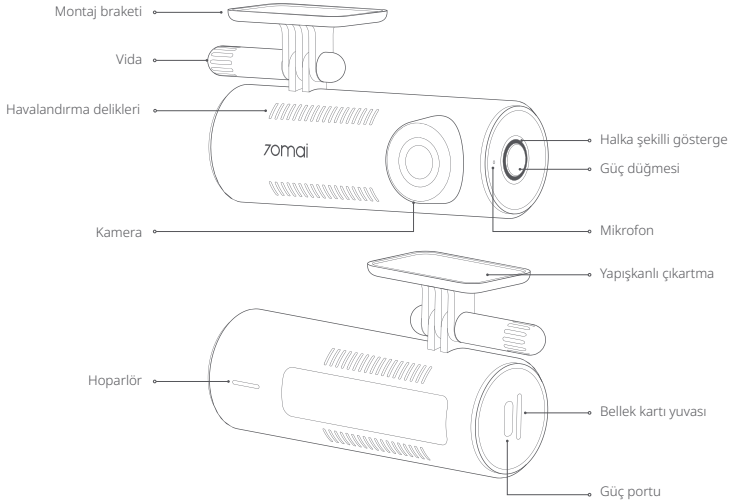
若需得知更進一步的訊息，請造訪www.70mai.com

製造商: 70mai Co., Ltd.

地址: 中國上海市閔行區紫星路588號二棟2220室

Ürüne genel bakış

Lütfen ürünü kullanmadan önce bu kılavuzu dikkatlice okuyun ve emniyetli bir yerde saklayın.



Paket içeriği

- | | | |
|-------------------------|-------------------------------|--------------------------|
| 1. Araç Kamerası × 1 | 4. Elektrostatik çıkartma × 2 | 6. Kablo kesme aleti × 1 |
| 2. Güç kablosu × 1 | 5. Yapışkanlı çıkartma × 1 | 7. Kullanım kılavuzu × 1 |
| 3. Araç şarj cihazı × 1 | | |

Not: Kullanım kılavuzundaki ürün, aksesuar ve kullanıcı arayüzü çizimleri yalnızca referans amaçlıdır. Gerçek ürün ve fonksiyonlar, ürün geliştirmeleri nedeniyle değişiklik gösterebilir.

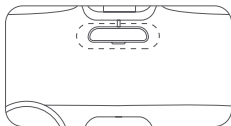
Kurulum

1. Elektrostatik çıkartmanın takılması

Elektrostatik çıkartmayı ön camda önerilen alana yapıştırın. Hava kabarcıklarını çıkarmak için çıkartmanın üzerine bastırın.

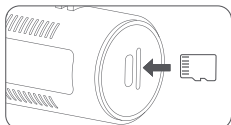
Ön camın kenarından kaçının ve montaj için düz ve pürüzsüz bir alan seçin.

Not: Çıkartmanın yapışkanlığını kaybetmesini ve araç kamerasının düşmesini önlemek için ön camı sıvı kalıntısı olmadan temiz ve kuru tutun.



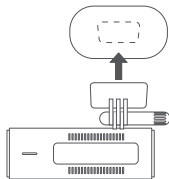
2. Bellek kartının takılması

Bellek kartını, şekilde gösterildiği gibi kontaklar sola bakacak şekilde kart yuvasına yerleştirin.



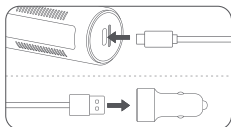
3. Araç kamerasının montajı

Araç kamerasını elektrostatik çıkartmanın üzerine yapıştırın.



4. Güç kablosunun bağlanması

Araç kamerasını ve araç cihazını güç kablosuyla bağlayın.

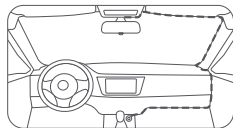


5. Kablo yönlendirme

Güç kablosunu aracın elektrik prizine doğru döşeyin ve araç şarj cihazını elektrik prizine takın. Araç motorunu çalıştırın. Araç kamerası otomatik olarak açılacaktır.

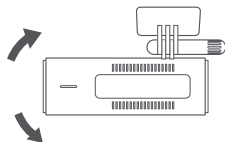
Not:

- Güç kablosunu aracın tavan döşemesinin ve A sütunu boyunca uzanan lastik contanın altına gizlemek için ürünle birlikte verilen kablo kesme aletini kullanın.
- Çakmak soketi her araçta farklı bir pozisyonda olabilir. Gösterilen şekil sadece referans içindir.



6. Kamera açısını ayarlama

Araç kamerasını 70mai uygulamasına bağlayın ve araç kamerasının ana sayfasına girin. Kamera açısını ekrandaki gerçek zamanlı görüntüye göre ayarlayın.



Tuş fonksiyonları

Araç kamerası durumu	İşlem	Fonksiyon
Kapalı (Araç kamerası güç kaynağına bağlanmalıdır)	Bir kez basın	Cihazı açın
Açıldı	Yaklaşık 3 saniye basılı tutun	Cihazı kapatın
	Bir kez basın	Wi-Fi'yi açma/kapama
	Arka arkaya 4 kez basın	Bellek kartını formatlama
	Arka arkaya 5 kez basın	Fabrika ayarlarına sıfırlama
	Yaklaşık 15 saniye basılı tutun	Cihazı yeniden başlatmaya zorlama
Telefondan bağlantı talebi alma	Bir kez basın	Bağlantı yetkisini onaylama

70mai uygulamasına bağlanma

Bu ürün 70mai uygulaması ile birlikte kullanılabilir. Uygulamaya bağlamak için aşağıdaki adımları izleyin.

1. Uygulamayı indirmek ve yüklemek için QR kodunu tarayın. Veya indirmek ve yüklemek için uygulama mağazasında "70mai" uygulamasını aratın.



Uygulamayı indirmek için tarayın

2. Uygulamayı açın, cihaz sayfasında "+" ögesine dokunun, ilgili araç kamerası tipini bulun ve araç kamerası görüntüsüne dokunun.
3. Araç kamerasını açın ve Wi-Fi erişim noktasını etkinleştirin. Araç kamerasının Wi-Fi erişim noktasını telefonunuzun ayarlarında bağlamak için ekrandaki talimatları izleyin.
4. Başarılı bir şekilde bağlandıktan sonra 70mai uygulamasına geri dönün. Cihaz sayfasında araç kamerasını bağlayın ve araç kamerasının ana sayfasına girin. Canlı videoyu görüntüleyebilir ve araç kamerası ayarlarını yapılandırabilirsiniz.

Not: Araç kamerasının Wi-Fi erişim noktasına bir cep telefonu ile bağlanmak için Android 5.0 ve iOS 11.0 veya üzeri gereklidir. Uygulamayı bağlarken daha fazla yardıma ihtiyacınız olursa, eğitim videosunu görüntülemek için lütfen aşağıdaki QR kodunu tarayın.



Videoyu görüntülemek için tarayın

Wi-Fi erişim noktası bilgileri aşağıdaki gibidir:

Erişim noktası adı: 70mai_M310_XXXX (Erişim noktası adı için lütfen cihazın üzerindeki etiketi kontrol edin).

Varsayılan parola: 12345678

Sesli kontrolü

Araç kamerası sesli kontrolü destekler. Araç kamerası çalışırken kullanıcının sesli komutları ilgili fonksiyonları tetikler.

Araç kamerasının yayın dili Geleneksel Çince olarak ayarlanırsa Mandarin sesli komutları desteklenir. Başka bir dil ayarlanırsa yalnızca İngilizce sesli komutlar desteklenir. Sesli komutlar aşağıdaki gibidir:

Sesli komut	Fonksiyon
Fotoğraf çek	Araç kamerası bir fotoğraf çeker ve albüme kaydeder.
Videoyu kilitle	Araç kamerası bir acil durum videosu kaydeder ve bunu acil durum video dizininde kaydeder.
Sesi aç	Araç kamerası videoların yanı sıra ses de kaydeder.
Sesi kapat	Araç kamerası ses kaydı yapmaz, sadece video kaydı yapar.
Erişim noktasını aç	Araç kamerasının Wi-Fi erişim noktası açılır.
Erişim noktasını kapat	Araç kamerasının Wi-Fi erişim noktası kapatılır.

Not: Araç kamerası 70mai uygulamasına bağlandığında sesli kontrolü desteklenmez.

Teknik Özellikler

Ürün Araç Kamerası

Model: M310

Giriş: 5V \equiv 2A

Pil kapasitesi: 300mAh

Çözünürlük: 2304 \times 1296

Objektif: FOV 130°/ F2.0

Pil tipi: Li-iyon pil

Güç kaynağı: Araba çakmağı

Ürün boyutları: 100,3 \times 52,5 \times 36,1mm

Kablosuz bağlantı: Wi-Fi IEEE 802.11b/g/n 2,4GHz

Wi-Fi çalışma frekansı: 2.400-2.483,5 MHz

Wi-Fi maksimum çıkışı: < 20dBm

Önlemler

Bu araç kamerasını kullanmadan önce, doğru ve emniyetli kullanım sağlamak için lütfen tüm önlemleri ve kullanıcı kılavuzunu okuyun.

- Bu araç kamerası, aracın dış görüntülerini kaydetmek için tasarlanmış bir sürüş yardımcısıdır. Ve kullanıcının sürüş emniyetini sağlama fonksiyonuna sahip değildir. Kullanıcılar yerel trafik kurallarına ve düzenlemelerine uymalı ve öncelikli olarak sürüş emniyetini dikkate almalıdır. Bu ürünü aracı kullanırken kullanmayın.
- Araç koşulları, sürüş tarzı, sürüş ortamındaki farklılıklar ve diğer etkenler nedeniyle bazı fonksiyonlar doğru çalışmayabilir. Elektrik kesintisi, normal çalışma sıcaklığı veya nem aralığı dışındaki ortamlarda kullanım, çarpışma veya hasarlı bir bellek kartı araç kamerasının anormal çalışmasına neden olabilir. Bu araç kamerasının her koşulda normal şekilde çalışacağına garanti yoktur. Bu araç kamerası tarafından kaydedilen videolar yalnızca referans amaçlıdır.
- Ürün arızasını veya kişisel yaralanmayı önlemek için lütfen bu araç kamerasını doğru şekilde monte edin ve sürücünün görüş alanını veya aracın hava yastığını engellememesini sağlayın.
- Araç kamerasının monte edildiği ön cam renkli otomotiv filmiyle kaplıysa, video kayıt kalitesini etkileyebilir veya görüntüde bozulmaya yol açabilir. Ön cama metalik film uygulanırsa, dahili GPS modülü bulunan araç kamerası modellerinde GPS sinyal kalitesi düşebilir.
- Araç kamerasına çarpmaktan veya kuvvetle sarsılmaktan kaçının, aksi takdirde ürün arızalanabilir. Bu araç kamerasını güçlü manyetik alanlardan uzak tutun.
- Araç kamerasını yıkamak için asla kimyasal çözücü veya deterjan kullanmayın.
- Bu araç kamerasını 60°C'nin üzerinde veya -10°C'nin altında sıcaklığa sahip ortamlarda kullanmayın.
- Araç kamerası bir süre çalıştığında kasesinin sıcaklığı artar. Bu nedenle dokunurken dikkatli olun.
- Lütfen bu araç kamerasını yalnızca yasaların izin verdiği kapsamda kullanın.

Emniyet Bilgileri

- Ürünün uyumsuzluk nedeniyle arızalanmasını önlemek için lütfen birlikte verilen araç şarj cihazını, güç kablosunu ve diğer aksesuarları kullanın. Orijinal olmayan bir araç şarj cihazının veya güç kablosunun kullanılmasından kaynaklanan herhangi bir kayıp veya hasar için sorumluluk kabul etmiyoruz.
- Araç kamerasını şarj etmek için güç adaptörü kullanıyorsanız, yalnızca yerel emniyet standartlarına uygun veya uzman üreticiler tarafından onaylanmış ve tedarik edilmiş güç adaptörlerini kullanın.
- Bir pilin ateşe veya sıcak bir fırına atılması veya bir pilin patlamaya neden olabilecek şekilde mekanik olarak ezilmesi veya kesilmesi.

- Bir piliin patlamaya veya yanıcı sıvı veya gaz sızıntısına neden olabilecek aşırı yüksek sıcaklıktaki bir ortamda bırakılması.
- Patlamaya veya yanıcı sıvı veya gaz sızıntısına neden olabilecek aşırı düşük hava basıncına maruz kalan bir pil.
- Bu cihazın pili sökülemez veya değiştirilemez. Pili kendini sökmeyin veya üzerinde değişiklik yapmayın.
- Bir piliin yanlış bir tipte değiştirilmesi bir korumayı etkisiz hale getirebilir (örneğin, bazı lityum pil tipleri söz konusu olduğunda).
- Araç kamerası ve aksesuarları küçük parçalar içerebilir. Boğulma veya diğer tehlikeleri ya da çocukların neden olabileceği hasarları önlemek için araç kamerasını çocukların erişemeyeceği bir yerde saklayın.

Bellek kartı talimatları

- Kullanmadan önce araç kamerasına bir bellek kartı (ayrı satılır) takılmalıdır.
- Araç kamerası standart microSD kartları destekler. Lütfen 16GB ~ 256GB kapasiteli ve sınıf 10, U1 veya daha yüksek hız değerine sahip bellek kartları kullanın.
- Bellek kartının varsayılan dosya bölümü formatı, araç kamerası tarafından desteklenen formatı ile tutarsız olabilir. Bellek kartını ilk kez takarken, lütfen kullanmadan önce araç kamerasında formatlayın. Bellek kartının formatlanması karttaki tüm dosyaları siler. Lütfen önemli verilerinizi önceden başka bir cihaza yedekleyin.
- Bellek kartı, tekrarlanan üzerine yazma çevrimlerinden sonra hasar görebilir veya bozulabilir ve bu da video ve görüntü dosyalarını kaydetme yeteneğini etkileyebilir. Böyle bir durumda hemen yeni bir bellek kartı takın.
- Lütfen saygın bir satıcıdan satın alınmış yüksek kaliteli bir bellek kartı kullanın. Düşük kaliteli bellek kartları, belirtilen hızlarla çıkamayan gerçek okuma/yazma hızları ve belirtilen depolama kapasitesinin altında gerçek depolama kapasitesi gibi sorunlara sahip olabilir. Düşük kaliteli bir bellek kartının kullanılmasından kaynaklanan kayıp veya hasarlı videolar için sorumluluk kabul etmiyoruz.
- Araç kamerası açıkken bellek kartı takmayın veya çıkarmayın.

Yönetmeliğe Uygunluk Bilgileri

WEEE Bilgileri

Bu sembolü taşıyan tüm ürünler, elektrikli ve elektronik ekipman atıklarıdır (2012/19/EU sayılı direktifte WEEE olarak belirtilmiştir) ve bunların sınıflandırılmamış evsel atıklarla birlikte atılmaması gerekir. Bunun yerine ekipman atıklarınızı, elektrikli ve elektronik ekipman atıklarının geri dönüşümü için devlet veya yerel makamlar tarafından belirlenmiş bir toplama noktasına teslim ederek insan sağlığını ve çevreyi korumanız gerekir. Doğru imha ve geri dönüşüm, çevre ve insan sağlığı üzerindeki olası olumsuz sonuçları önlemeye yardımcı olur. Söz konusu toplama noktaları ve bu tür toplama noktalarının koşulları ile ilgili daha fazla bilgi için lütfen kurulumcuya veya yerel makamlara başvurun.

AB Uygunluk Beyanı



Üretici, işbu belge ile bu ekipmanın geçerli Direktiflere, Avrupa Normlarına ve değişikliklere uygun olduğunu beyan etmektedir. AB uygunluk beyanının tam metnine şu adresten ulaşılabilir: <https://help.70mai.asia/1193.html>

Servis: help@70mai.com

Daha fazla bilgi için lütfen www.70mai.com adresini ziyaret edin.

Üretici firma: 70mai Co, Ltd.

Adres: Room 2220, Building 2, No. 588 Zixing Road, Minhang District, Shanghai, Çin

